

W3330N,FAG3330N

Washer extractor

Tvättmaskin

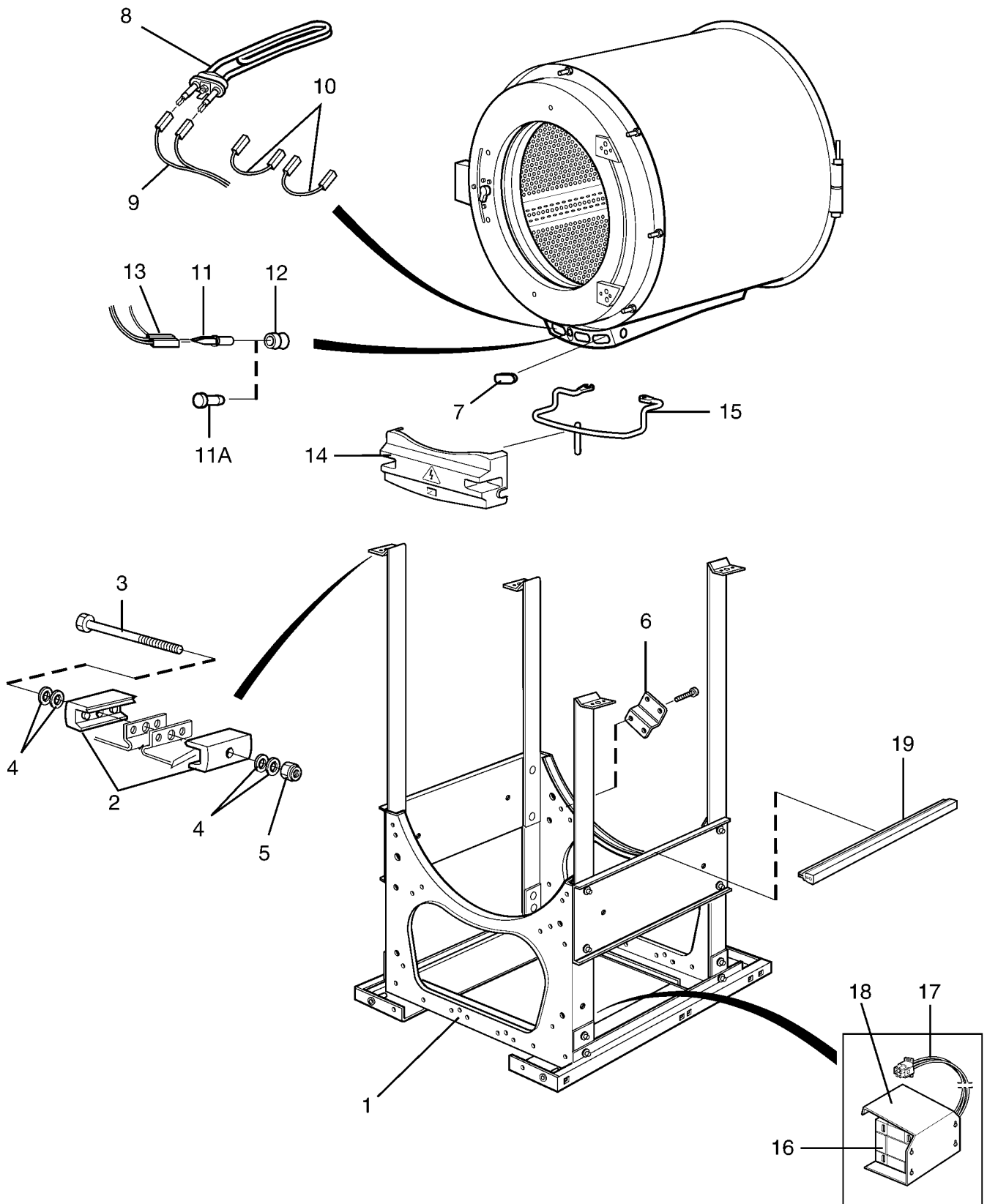
List of issues

FAG3330N,W3330N

Illustration	Page	Table of contents
101770	33	Control panel Clarus
101771	73	Detergent container
101772	65	Drain valve
101774	7	Base and outer drum
101776	15	Door lock
101790	61	Water connections
101918	71	Steam components
101924	69	Drain valve, electrical
101946	67	Drain valve and hoses
101949	35	Control panel Classic
101969	99	Technical documentation
101975	93	Electric cabinet
101980	87	Master system
101982	77	Water recovery system
101984	85	External coin meter
101985	89	Electrolux Flex system
101988	55	Electric components 3AC
101989	57	Electric components Classic 3AC
101990	17	Motors
101991	75	Manual starter unit, Classic
102104	91	Flex system
102107	95	CMIS
102110	13	Door and hinged joint
102111	25	Control panel Exacta
102112	11	Drum, rear gable
102113	9	Lining and top panel
102114	31	Control panel Exacta, single system
102117	45	Electric components Classic OG01
102118	49	Electric components Classic OL02
102119	53	Electric components Classic OL03
102120	83	Coin meter with slot locking device
102121	59	Electric components connection
102122	63	Inlet valves and cable set
102125	37	Electrical components Exacta
102126	41	Electrical components Clarus
102127	79	Coin meter without slot locking device

FAG3330N,W3330N

Table of contents	Innehållsförteckning	Page/Sida
Base and outer drum	Stativ och yttertrumma	7
Lining and top panel	Klädselplåtar och topplock	9
Drum, rear gable	Trumma,bakgavel	11
Door and hinged joint	Lucka och gängled	13
Door lock	Lucklås	15
*Motors	Motorer	17
Control panel Exacta	Manöverpanel Exacta	25
Control panel Exacta, single system	Manöverpanel Exacta, single system	31
Control panel Clarus	Manöverpanel Clarus	33
Control panel Classic	Manöverpanel Classic	35
Electrical components Exacta	Eldetaljer Exacta	37
*Electrical components Clarus	Eldetaljer Clarus	41
Electric components Classic OG01	Eldetaljer Classic OG01	45
Electric components Classic OL02	Eldetaljer Classic OL02	49
Electric components Classic OL03	Eldetaljer Classic OL03	53
Electric components 3AC	Elkomponenter 3AC	55
Electric components Classic 3AC	Elkomponenter Classic 3AC	57
Electric components connection	Eldetaljer anslutning	59
Water connections	Vattenanslutningar	61
Inlet valves and cable set	Inloppsventiler och ledningssatser	63
Drain valve	Avloppsventil	65
Drain valve and hoses	Avloppsventil och slangar	67
*Drain valve, electrical	Avloppsventil, elektrisk	69
Steam components	Ångdetaljer	71
Detergent container	Tvättmedelsbehållare	73
Manual starter unit, Classic	Manuell startenhet, Classic	75
Water recovery system	Vattenåtervinning	77
Coin meter without slot locking device	Myntmätare utan myntspärr	79
Coin meter with slot locking device	Myntmätare med myntspärr	83
External coin meter	Extern myntmätare	85
*Master system	Mastersystem	87
*Electrolux Flex system	Electrolux Flexsystem	89
Flex system	Flexsystem	91
Electric cabinet	Elskåp	93
CMIS	CMIS	95
Technical documentation	Teknisk dokumentation	99

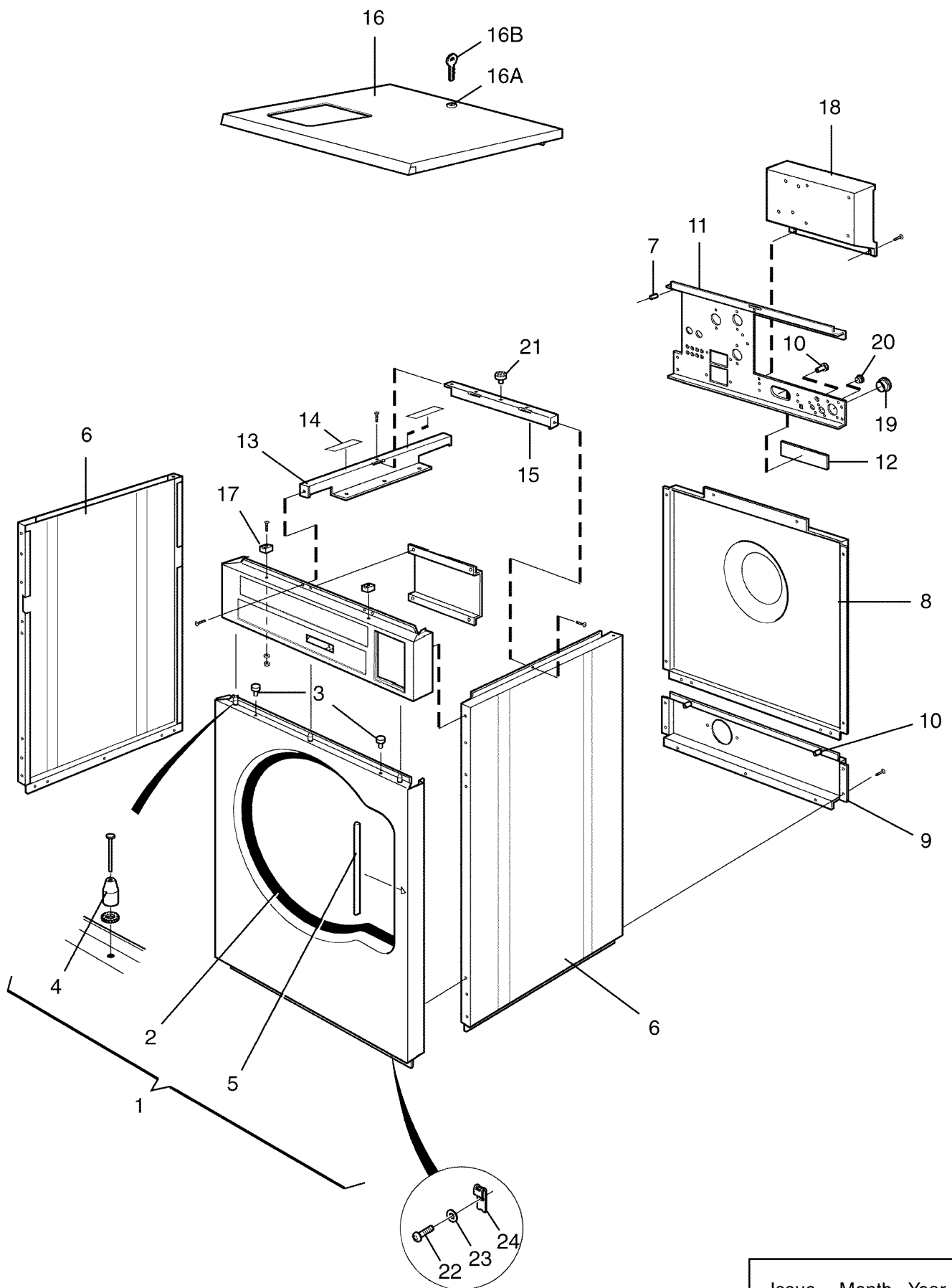


Issue	Month	Year
05	02	04

FAG3330N,W3330N**Base and outer drum****Stativ och yttertrumma**

Illustration	Issue	Month	Year
Illustration	Utgåva	Månad	År
101774/4	3	5	2004

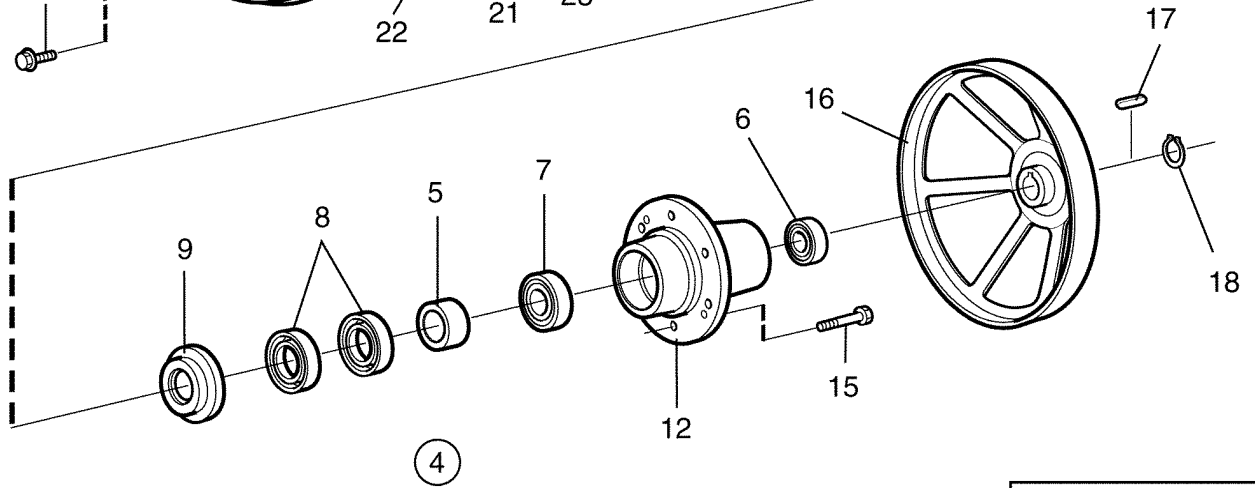
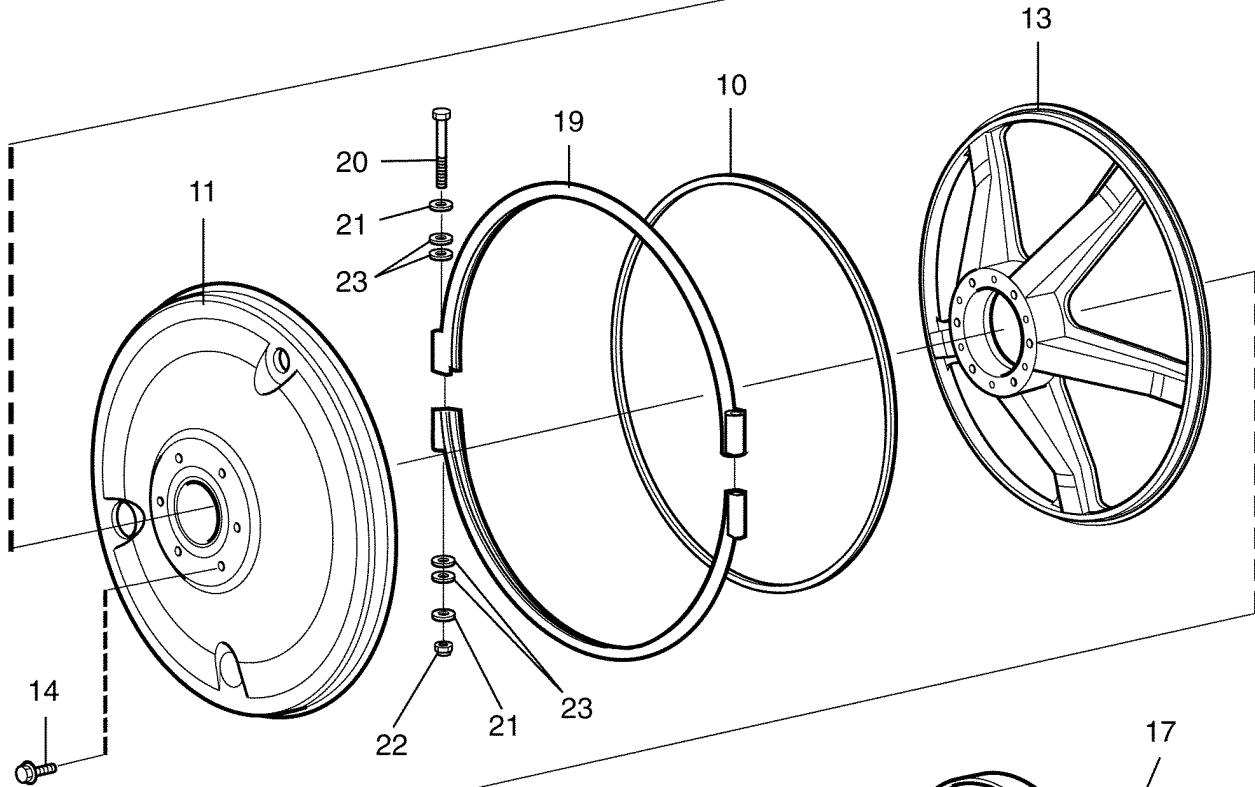
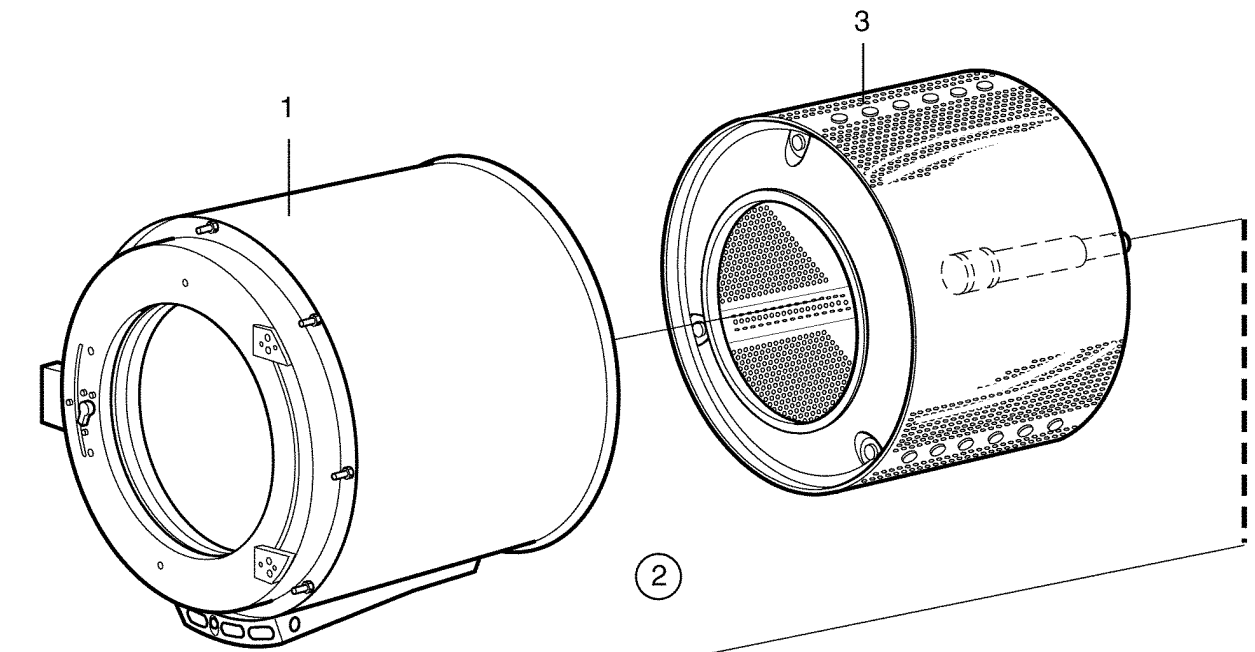
Item Pos.	Qua Ant.	Art.No Art.nr	Description	Benämning	Info Info	Notes Anmärkning
	1	432 4415-51	Frame	Stativ	3	
2	4	432 1453-01	•Tensioner	•Spänne	3	
3	4	725 2465-71	•Screw	•Skruv	3	M8X70
4	8	471 7807-02	•Tension plate	•Spännbricka	3	18x8,4x2
5	2	732 2118-01	•Locking nut	•Låsmutter	3	M8
6	1	432 1451-01	•Bracket	•Vridskydd	3	
7	Rq	471 9821-99	Plug	Propp	3	
8	3	471 9822-24	Heating element	Element	1,2	6.36kW 230V -795/6881
	3	471 9827-24	Heating element	Element	1,2	6.36kW 230V 795/6882-
	3	471 9822-21	Heating element	Element	1,2	6.6kW 240V -795/6881
	3	471 9827-21	Heating element	Element	1,2	6.6kW 240V 795/6882-
	3	471 9822-22	Heating element	Element	1,2	7kW 254V -795/6881
	3	471 9827-22	Heating element	Element	1,2	7kW 254V 795/6882-
	3	471 9822-23	Heating element	Element	1,2	7.4kW 277V -795/6881
	3	471 9827-23	Heating element	Element	1,2	7.6kW 277V 795/6882-
	3	471 9823-41	Heating element	Element	1,2	3,65 kW 240V, Mop -795/6881
9	1	432 2951-01	Cable set	Ledningssats	3	230V 1AC -795/6881
	1	413 2965-03	Cable set	Ledningssats	3	230V 795/6882-
	1	432 2951-05	Cable set	Ledningssats	3	400V Heating -795/6881
	1	413 2965-02	Cable set	Ledningssats	3	400V 795/6882-
10	1	432 2953-06	Cable set	Ledningssats	3	400V -795/6881
	1	413 2965-01	Cable set	Ledningssats	3	795/6882-
11A	1	438 4118-01	Plug	Plugg	3	HW
11	1	472 9913-22	Sensor	Givare	1,2	Complete
12	1	471 8192-01	•Bushing	•Bussning	1	
13	1	432 3082-74	Cable set	Ledningssats	3	
14	1	432 1654-01	Cover	Skydd	3	
15	1	432 1653-01	Clamp	Bygel	3	
16	1	471 9550-54	Transformer	Transformator	1	200V
	1	471 9550-59	Transformer	Transformator	1	356V,380V,415V,440V,480V
17	1	432 2985-01	Cable set	Ledningssats	3	
18	1	432 1477-01	Bracket	Konsol	3	
19	1	432 2198-01	Rubber strip	Gummilist	3	



FAG3330N,W3330N**Lining and top panel****Klädselplåtar och topplock**

Illustration	Issue	Month	Year
Illustration	Utgåva	Månad	År
102113/3	7	4	2006

Item Pos.	Qua Ant.	Art.No Art.nr	Description	Benämning	Info Info	Notes Anmärkning	
1	1	432 2200-61	Front plate	Frontplåt	3	Complete, green	
	1	432 2200-62	Front plate	Frontplåt	3	Complete, yellow	
	1	432 2200-63	Front plate	Frontplåt	3	Complete, white	
	1	432 2200-64	Front plate	Frontplåt	3	Complete, red	
	1	432 2200-65	Front panel	Frontplåt	3	Complete, beige/almond	
	1	432 2200-66	Front plate	Frontplåt	3	Complete, Dubix	
	1	432 2200-67	Front plate	Frontplåt	3	Complete, blue	
	1	432 2200-70	Front plate	Frontplåt	3	Stainless	
	2	1	432 2182-04	•Strip	•List	3	
	3	2	471 8196-01	•Plug	•Plugg	3	
4	3	438 5109-02	•Guide pin	•Styrpinne	3		
5	1	471 4672-67	•Protection	•Skydd	3		
6	2	432 2044-01	Side panel	Sidoplåt	3	Grey	
	2	432 2044-02	Side panel	Sidoplåt	3	White	
	2	432 2044-10	Side panel	Sidoplåt	3	Stainless steel	
7	2	432 2180-01	Spacer	Distans	3		
8	1	432 2068-01	Rear panel	Bakstycke	3	Upper	
9	1	432 2076-01	Rear panel	Bakstycke	3	Lower	
10	6	471 8458-02	Nut	Mutter	3	M6	
11	1	432 2107-01	Brace bracket	Stagplåt	3		
12	1	432 2844-01	Cover plate	Täckplåt	3	DS	
13	1	432 2131-07	Brace	Stag	3		
14	2	471 7565-21	Velcro tape	Kardborreband	3		
15	1	432 2121-02	Brace	Stag	3		
16	1	472 9915-25	Top panel	Topplöck	3	With detergent container	
	1	472 9915-26	Top panel	Topplöck	3	No detergent container	
	1	472 9915-75	Top panel	Topplöck	3	With detergent container WITH LOCK	
	1	472 9915-76	Top panel	Topplöck	3	No detergent container With lock	
	1	471 7826-10	•Lock	•Lås	1,2		
	1	471 7826-20	•Key	•Nyckel	1,2	FH025	
17	2	438 5335-01	Guide	Styrning	3		
18	1	432 2170-01	Plate	Plåt	3		
19	1	471 7967-02	Grommet	Genomföring	3		
20	2	471 7977-03	Cover plug	Täckpropp	3		
21	1	471 8641-02	Plug	Propp	3		
22	2	471 8344-35	Screw	Skruv	3	M6X16	
23	2	735 2153-01	Lock washer	Låsbricka	3	6,4	
24	2	471 7864-01	Clip	Clips	3	M6	

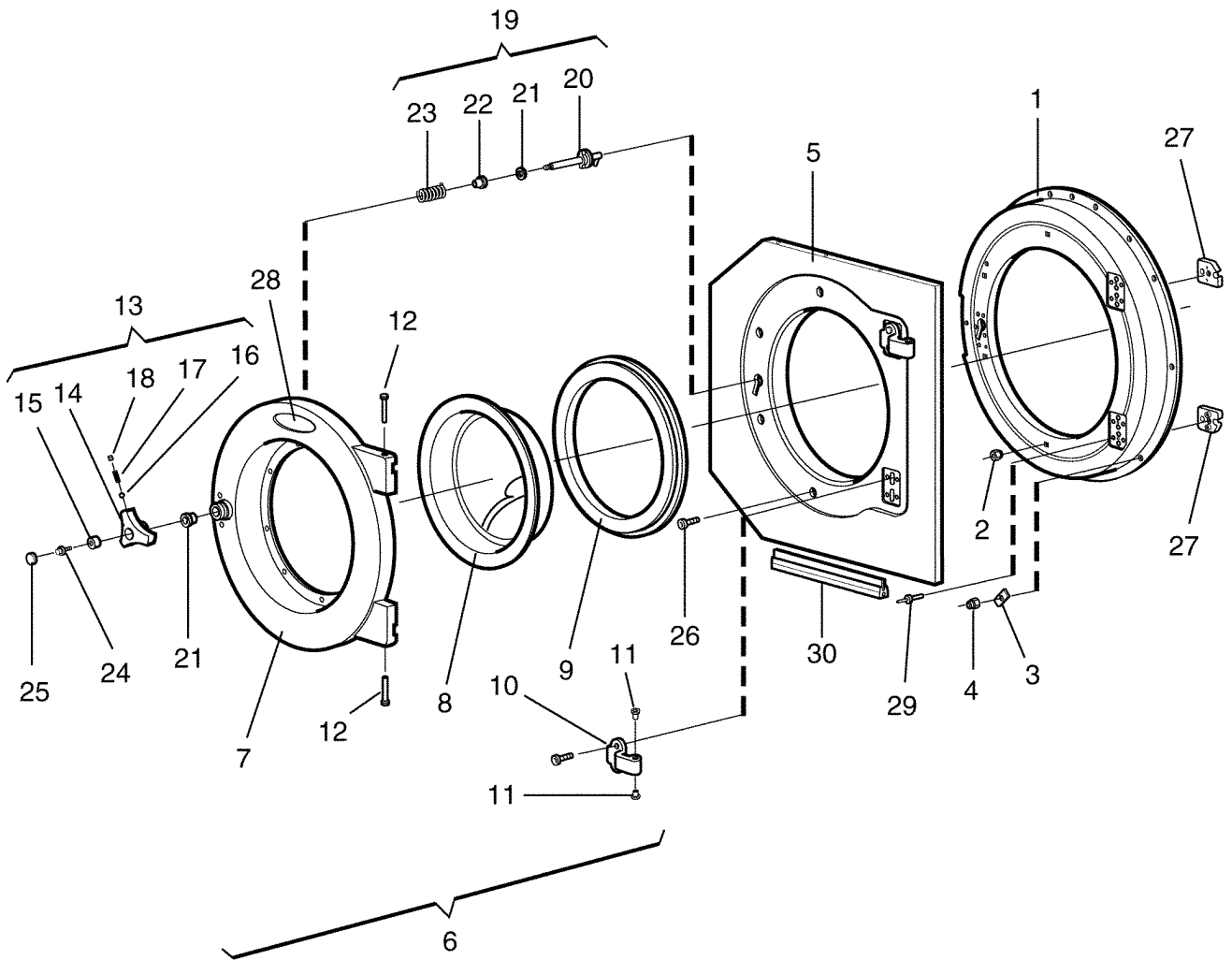


Issue	Month	Year
01	12	01

FAG3330N,W3330N**Drum, rear gable****Trumma,bakgavel**

Illustration	Issue	Month	Year
Illustration	Utgåva	Månad	År
102112/1	5	1	2004

Item Pos.	Qua Ant.	Art.No Art.nr	Description	Benämning	Info Info	Notes Anmärkning
1	1	432 1574-31	Outer drum	Yttertrumma	3	Non-heated
	1	432 1574-32	Outer drum	Yttertrumma	3	EI/Dual heating
	1	432 1574-33	Outer drum	Yttertrumma	3	Steam
2	1	432 1609-41	Back plate	Bakgavel	3	
3	1	432 1504-21	•Inner drum	•Innertrumma	1	
4	1	472 9913-16	•Repair kit	•Renoveringssats	3	
5	1		••Bushing	••Bussning		
6	1		••Ball bearing	••Kullager		
7	1		••Ball bearing	••Kullager		
8	2		••Sealing ring	••Tätningssring		
9	1		••Sealing ring	••Tätningssring		
10	1	438 8155-05	••Seal	••Tätning		
11	1	432 1549-01	•Lining	•Klädselplåt	3	
12	1	432 1564-01	•Bearing housing	•Lagerhus	3	
13	1	432 1544-01	•End piece	•Gavel	3	
14	10	471 8323-01	•Screw	•Skruv	3	M6X12
15	10	471 8328-02	•Screw	•Skruv	3	M12X50
16	1	432 1554-01	•Pulley	•Remskiva	3	
17	1	735 9630-01	•Wedge	•Plattkil	3	18x11x63
18	1	735 3147-00	•C-clamp	•Spårring	3	SGA 60
19	2	432 1569-01	Tension strap	Spännband	3	
20	2	471 9222-59	Screw	Skruv	3	M8X140
21	4	471 8502-34	Washer	Bricka	3	8,4x24x2
22	2	732 2118-01	Locking nut	Låsmutter	3	M8
23	8	471 7807-02	Tension plate	Spännbricka	3	18x8,4x2

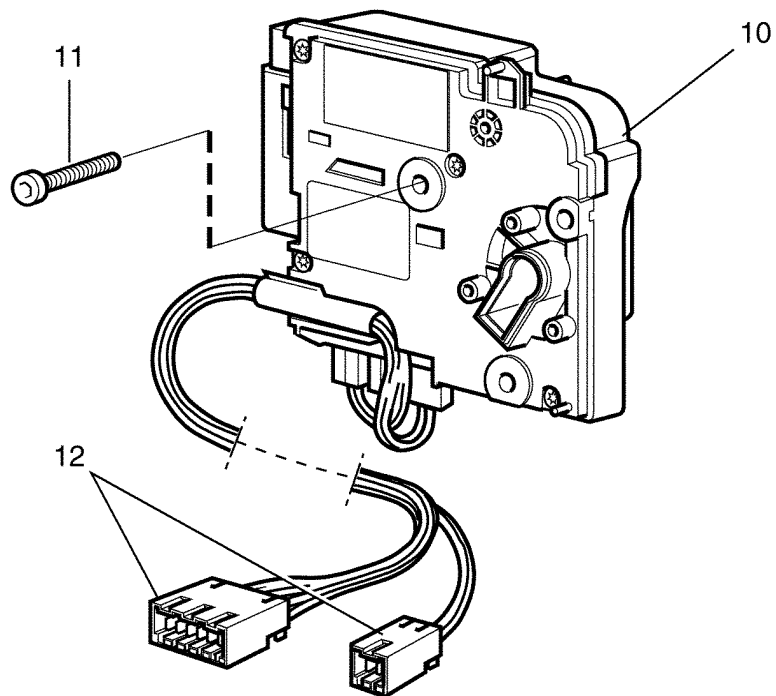
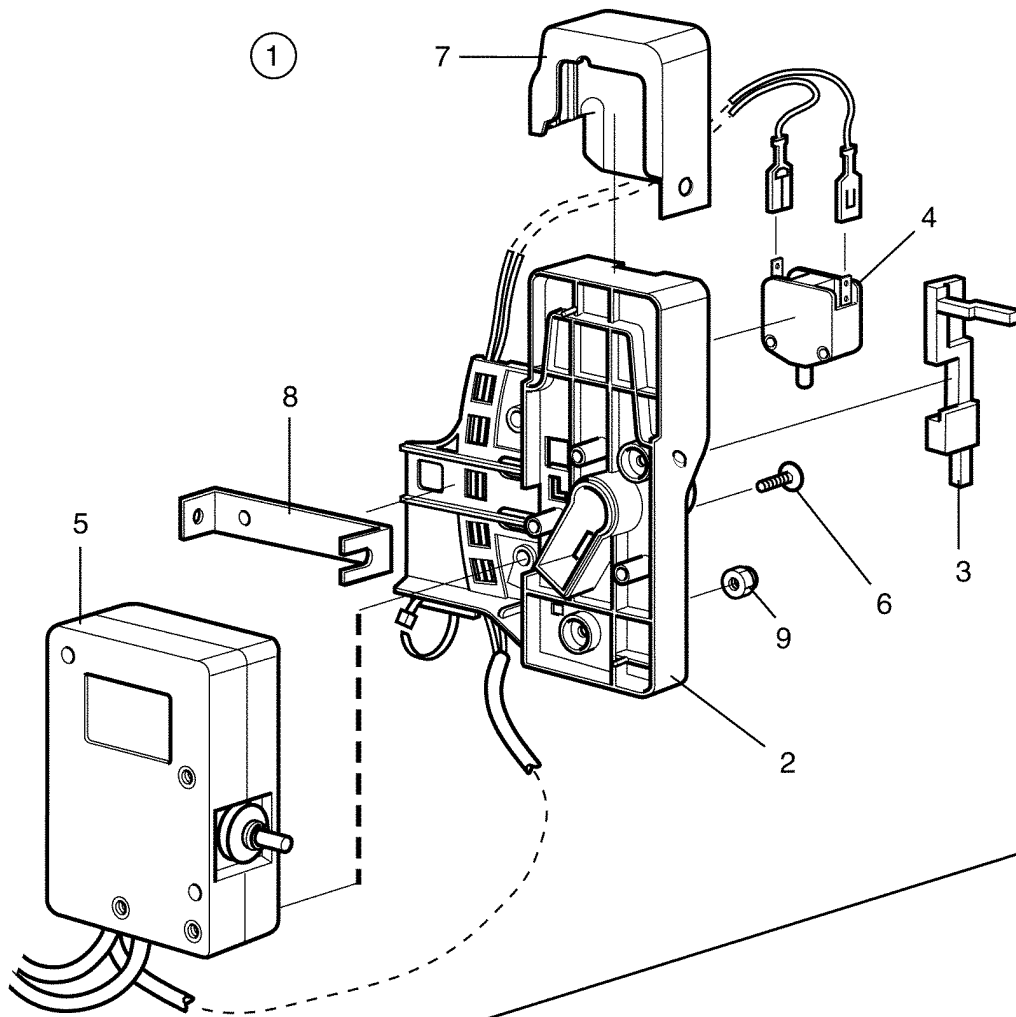


Issue	Month	Year
01	12	01

FAG3330N,W3330N**Door and hinged joint****Lucka och gångled**

Illustration	Issue	Month	Year
Illustration	Utgåva	Månad	År
102110/2	7	2	2006

Item Pos.	Qua Ant.	Art.No Art.nr	Description	Benämning	Info Info	Notes Anmärkning
1	1	432 1874-01	Support frame	Fästplatta	3	
2	4	471 8458-02	Nut	Mutter	3	M6
3	11	471 8527-01	Spring washer	Fjäderbricka	3	
4	11	471 8404-02	Locking nut	Låsmutter	3	M6
5	1	432 1890-01	Trim panel	Dekorplåt	3	
6	1	432 4312-01	Door	Lucka	1	Complete
	1	432 4312-02	Door	Lucka	1	Lagoon/AquaClean Complete
7	1	432 1828-01	•Door	•Lucka	3	
8	1	432 1858-01	•Door glass	•Luckglas	1,2	
	1	432 1858-02	•Door glass	•Luckglas	1,2	Lagoon/AquaClean
9	1	432 1843-02	•Door gasket	•Luckpackning	1,2	
10	4	432 1950-02	•Hinged joint	•Gångled	1	
11	8	438 4062-01	•Bushing	•Bussning	3	
12	2	432 1962-01	•Pin	•Tapp	3	
13	1	432 1955-01	•Knob	•Vred	1,2	Complete
14	1		••Knob	••Vred		
15	1		••Bushing	••Bussning		
16	3		••Ball	••Kula		
17	3		••Spring	••Fjäder		
18	3	728 8362-11	••Screw	••Skruv		
19	1	472 9913-01	•Kit, lock shaft	•Kit, låsaxel	1,2	
20	1		••Lock shaft	••Låsaxel		
21	1		••Washer	••Bricka	3	
22	2		••Bushing	••Bussning		
23	1		••Torsion spring	••Vridfjäder		
24	1	725 2366-61	•Screw	•Skruv	3	M6SF 6X12
25	1	432 1956-01	•Cover washer	•Täckbricka	3	
26	12	471 8344-36	Screw	Skruv	3	
27	4	432 1951-01	Bracket	Fäste	3	
28	1	432 2620-01	Sign	Skylt	3	
	1	432 2620-02	Sign	Skylt	3	Wascomat
	1	432 2620-07	Sign	Skylt	3	
	1	432 2620-04	Sign	Skylt	3	Zanussi
	1	432 2620-08	Sign	Skylt	3	
29	4	471 8471-01	Pop rivet	Popnit	3	
30	1	432 2198-02	Rubber strip	Gummilist	3	



Issue	Month	Year
02	08	03

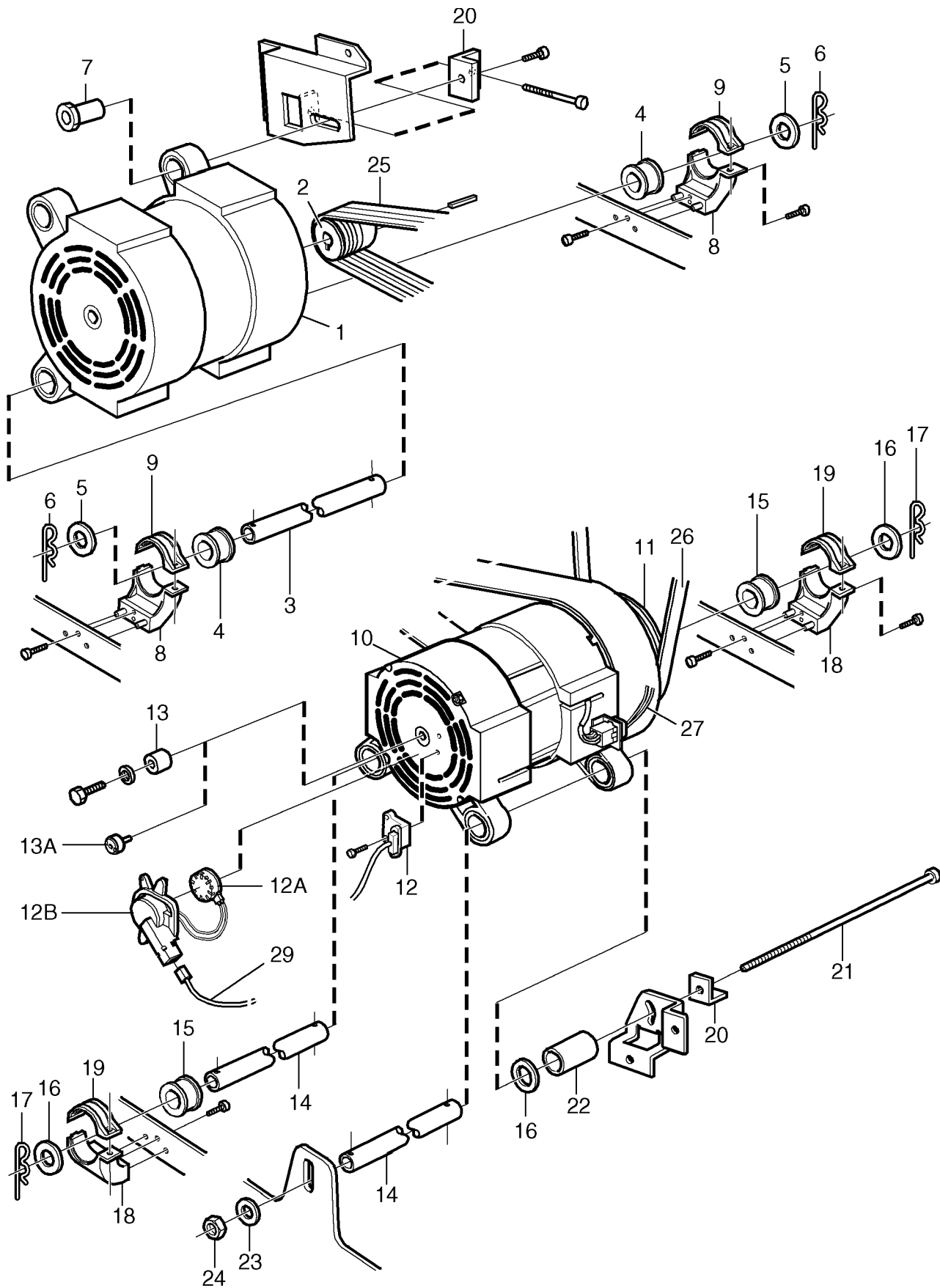
FAG3330N,W3330N

Door lock

Lucklås

Illustration Issue Month Year
Illustration Utgåva Månad År
101776/2 3 10 2003

Item Pos.	Qua Ant.	Art.No Art.nr	Description	Benämning	Info Info	Notes Anmärkning
1	1	472 9913-72	Door locking device	Lucklås	1,2	CONVERSION KIT -795/3535
2	1		Lock plate	Låsplatta		
3	1		Catch	Spärr		
4	1	471 9679-01	Microswitch	Mikrobrytare	1,2	
5	1		Actuator	Aktuator		
6	2		Screw	Skruv		M5X16
7	1	432 1960-01	Cover	Lock	3	
8	1		Plate	Plåt		
9	2		Locking nut	Låsmutter		M5
10	1	438 9561-01	Door locking device	Lucklås	1,2	Complete 795/3536-
11	3	471 8342-47	Screw	Skruv	3	M6X25
12	1	432 2905-01	Cable set	Ledningssats	3	

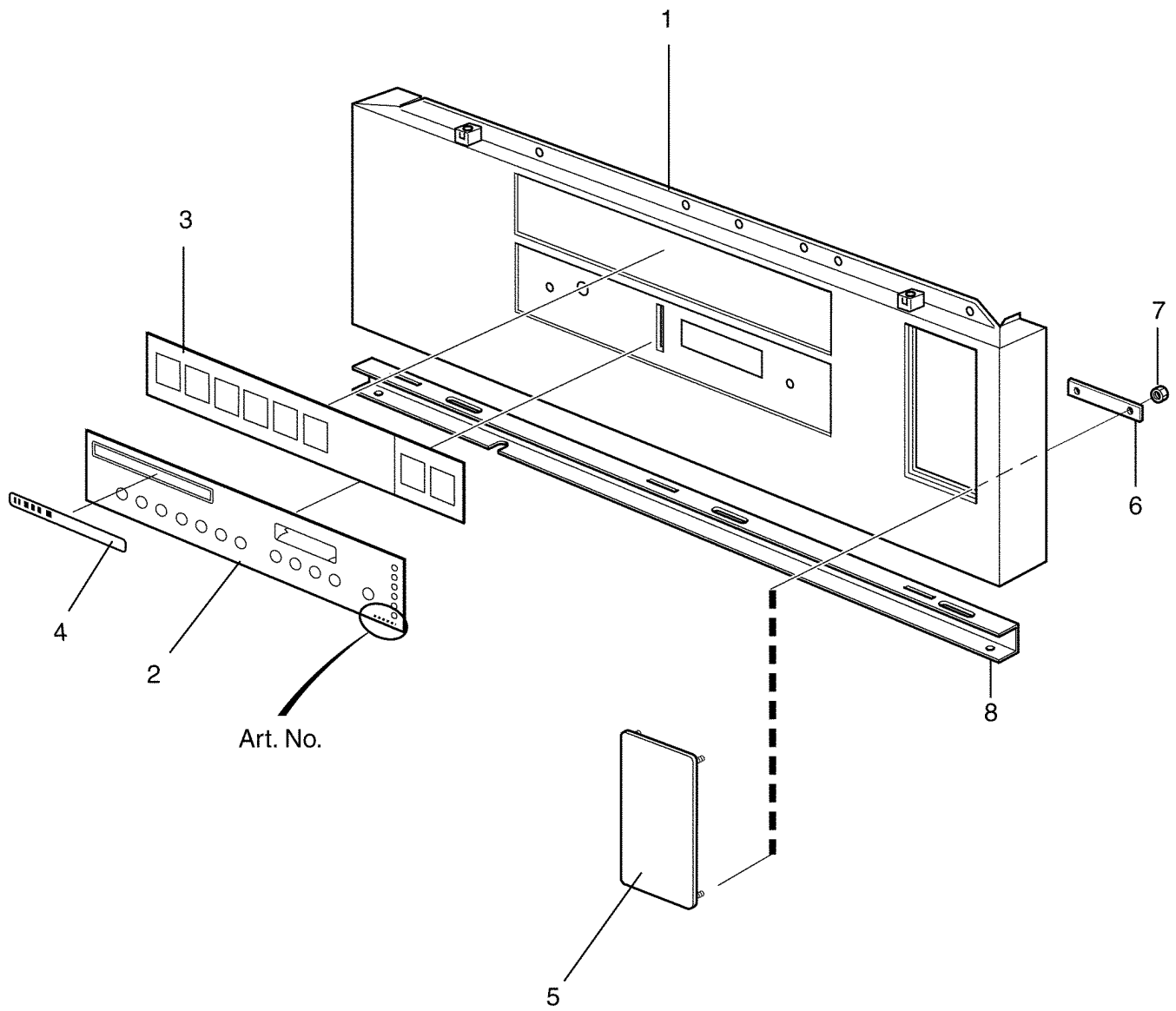


FAG3330N,W3330N**Motors**

Illustration	Issue	Month	Year
Illustration	Utgåva	Månad	År
101990/1	6	9	2006

Motorer

Item Pos.	Qua Ant.	Art.No Art.nr	Description	Benämning	Info Info	Notes Anmärkning
1	1	438 9700-62	Motor	Motor	3	200-240V 3AC 60 Hz Complete
	1	438 9709-61	Motor	Motor	3	380-415V 3AC 50Hz Complete
	1	438 9700-61	Motor	Motor	3	415-480V 3AC 60Hz Complete
	1	438 9709-62	Motor	Motor	3	190-200V 3AC 50Hz Complete
	1	438 9709-63	Motor	Motor	3	400-415/230V 3AC 50Hz Complete
2	1	471 4647-66	•Pulley	•Remskiva	3	
3	1		•Pipe	•Rör		
4	2	438 4049-01	•Damper	•Dämpare	3	
5	2	471 8502-24	•Washer	•Bricka	3	12x35
6	2	471 7867-01	•Pin	•Sprint	3	
7	1	432 1465-01	•Flange bushing	•Flänsbussning	3	
8	2	432 1463-01	•Bracket	•Fäste	3	
9	2	432 1472-01	•Clamp	•Bygel	3	
10	1	438 9710-62	Extract motor	Centrifugmotor	3	200-240V 3AC 60 Hz Complete
	1	438 9719-61	Extract motor	Centrifugmotor	3	380-415V 3AC 50Hz Complete
	1	438 9710-61	Extract motor	Centrifugmotor	3	415-480V 3AC 60Hz Complete
	1	438 9719-62	Extract motor	Centrifugmotor	3	190-200V 3AC 50Hz
	1	438 9719-63	Extract motor	Centrifugmotor	3	400-415/230V 3AC 50Hz Complete
11	1	432 1210-91	•Pulley	•Remskiva	3	50Hz
	1	432 1210-92	•Pulley	•Remskiva	3	60Hz
* 12	1	472 9913-44	•Sensor/transducer	•Givare	1,2	Kit compl
13	1	432 3905-01	•Magnet	•Magnet	3	
14	2		•Pipe	•Rör		
15	2	438 4049-01	•Damper	•Dämpare	3	
16	3	471 8502-24	•Washer	•Bricka	3	12x35
17	2	471 7867-01	•Pin	•Sprint	3	
18	2	432 1463-01	•Bracket	•Fäste	3	
19	2	432 1472-01	•Clamp	•Bygel	3	
20	2	432 1455-01	Washer	Bricka	3	
21	1	471 8356-08	Screw	Skruv	3	M12X300
22	1	471 8637-03	Pipe	Rör	3	
23	1	471 8502-10	Washer	Bricka	3	12x35
24	1	732 2122-01	Locking nut	Låsmutter	3	M12
25	1	471 7701-13	Ribbed belt	Poly-V-rem	1,2	Set of 3
26	1	471 7705-09	Ribbed belt	Poly-V-rem	1,2	50Hz
	1	471 7705-10	Ribbed belt	Poly-V-rem	1,2	
27	1	432 2994-01	Cable set	Ledningssats	3	
28	1	432 3083-36	Cable set	Ledningssats	3	-795/4624
	1	432 3093-36	Cable set	Ledningssats	3	795/4625-

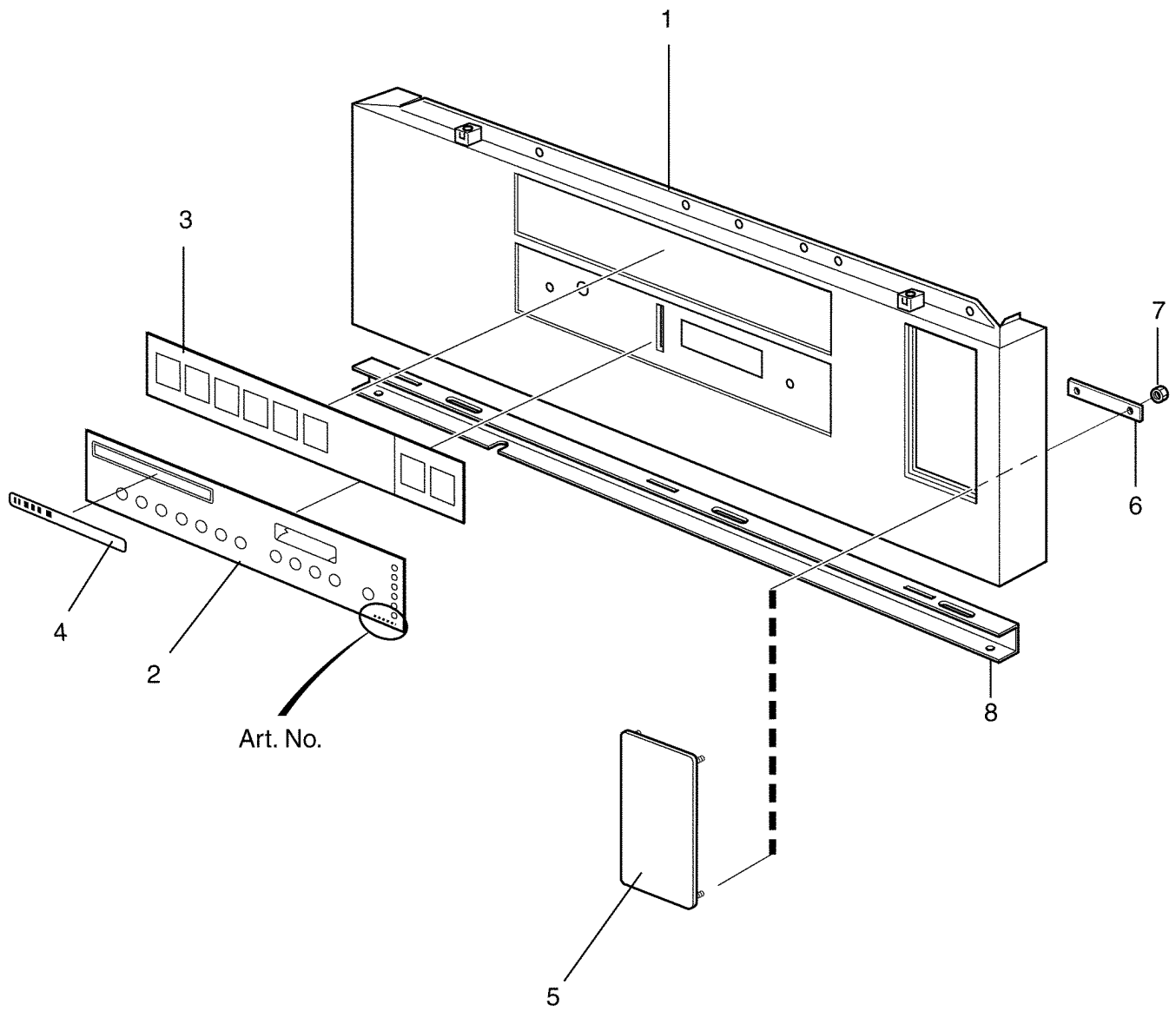


Issue	Month	Year
01	12	01

FAG3330N,W3330N**Control panel Exacta****Manöverpanel Exacta**

Illustration	Issue	Month	Year
Illustration	Utgåva	Månad	År
102111/1	2	5	2004

Item Pos.	Qua Ant.	Art.No Art.nr	Description	Benämning	Info Info	Notes Anmärkning
1	1	432 2016-01	Front panel	Frontpanel	3	
2	1	432 2720-01	Panel sign	Panelskylt	1	Program 2A01, 2G41
	1	432 2720-02	Panel sign	Panelskylt	1	Program 2H11
	1	432 2720-17	Panel sign	Panelskylt	1	Program 2H12
	1	432 2720-03	Panel sign	Panelskylt	1	Program 2G01
	1	432 2720-04	Panel sign	Panelskylt	1	Program 2W01, 2H01, 2H02, 2M11, 2F01, 2F02
	1	432 2720-11	Panel sign	Panelskylt	1	Program 2L31
	1	432 2720-06	Panel sign	Panelskylt	1	Program 2L01, 2L02
	1	432 2720-05	Panel sign	Panelskylt	1	Program 2L41
	1	432 2720-14	Panel sign	Panelskylt	1	Program 2L51
	1	432 2720-08	Panel sign	Panelskylt	1	Program 2M01
	1	432 2720-09	Panel sign	Panelskylt	1	Program 2H21
	1	432 2720-10	Panel sign	Panelskylt	1	Program 2L11, 2L12
	1	432 2720-12	Panel sign	Panelskylt	1	Program 2R01
	1	432 2720-15	Panel sign	Panelskylt	1	Program 2S01
	1	432 2720-13	Panel sign	Panelskylt	1	Program 2A11
3	1	432 2649-03	Instruction plate	Instruktionsskylt	3	Program 2G41 Japanese
	1	432 2649-04	Instruction plate	Instruktionsskylt	3	Program 2W41 Japanese
	1	432 2649-05	Instruction plate	Instruktionsskylt	3	Program 2L41 Japanese
	1	432 2649-06	Instruction plate	Instruktionsskylt	3	Program 2L51 Japanese
	1	432 2649-07	Instruction plate	Instruktionsskylt	3	Program 2H42 Japanese
	1	432 2649-20	Instruction plate	Instruktionsskylt	3	Program 2A01 English
	1	432 2649-21	Instruction plate	Instruktionsskylt	3	Program 2M01 French
	1	432 2649-22	Instruction plate	Instruktionsskylt	3	Program 2M11, Mop Danish
	1	432 2649-23	Instruction plate	Instruktionsskylt	3	Program 2H12 Swedish
	1	432 2649-24	Instruction plate	Instruktionsskylt	3	Program 2M12 Swedish
	1	432 2649-25	Instruction plate	Instruktionsskylt	3	Program 2C01 Spanish
	1	432 2649-26	Instruction plate	Instruktionsskylt	3	Program 2A01 Danish
	1	432 2649-27	Instruction plate	Instruktionsskylt	3	Program 2A01 Swedish
	1	432 2649-28	Instruction plate	Instruktionsskylt	3	Program 2L01 English
	1	432 2650-02	Instruction plate	Instruktionsskylt	3	Program 2A01 Danish
	1	432 2650-03	Instruction plate	Instruktionsskylt	3	Program 2H11 Swedish
	1	432 2650-04	Instruction plate	Instruktionsskylt	3	Program 2W01, Aqua Clean Swedish
	1	432 2650-05	Instruction plate	Instruktionsskylt	3	Program 2L41 Japanese
	1	432 2650-06	Instruction plate	Instruktionsskylt	3	Program 2S01, Selecta USA
	1	432 2650-07	Instruction plate	Instruktionsskylt	3	Program 2G01 English
	1	432 2650-08	Instruction plate	Instruktionsskylt	3	Program 2G01 German
	1	432 2650-09	Instruction plate	Instruktionsskylt	3	Program 2G01 French
	1	432 2650-10	Instruction plate	Instruktionsskylt	3	Program 2G01 Swedish
	1	432 2650-11	Instruction plate	Instruktionsskylt	3	Program 2L31, Emerald USA
	1	432 2650-12	Instruction plate	Instruktionsskylt	3	Program 2L01 English
	1	432 2650-13	Instruction plate	Instruktionsskylt	3	Program 2M01, Mop English
	1	432 2650-14	Instruction plate	Instruktionsskylt	3	Program 2W01, Aqua Clean English
	1	432 2650-16	Instruction plate	Instruktionsskylt	3	Program 2H21, Hygienic Danish
	1	432 2650-17	Instruction plate	Instruktionsskylt	3	Program 2L11, Thermoboost German
	1	432 2650-18	Instruction plate	Instruktionsskylt	3	Program 2L12, Laundrette German
	1	432 2650-19	Instruction plate	Instruktionsskylt	3	Program 2H02, Selecta Danish
	1	432 2650-20	Instruction plate	Instruktionsskylt	3	Program 2H01, Hospital English
	1	432 2650-24	Instruction plate	Instruktionsskylt	3	Program 2A01, W3240 Swedish
	1	432 2650-25	Instruction plate	Instruktionsskylt	3	Program 2M11, Mop Swedish
	1	432 2650-26	Instruction plate	Instruktionsskylt	3	Program 2F01, Farm Swedish



Issue	Month	Year
01	12	01

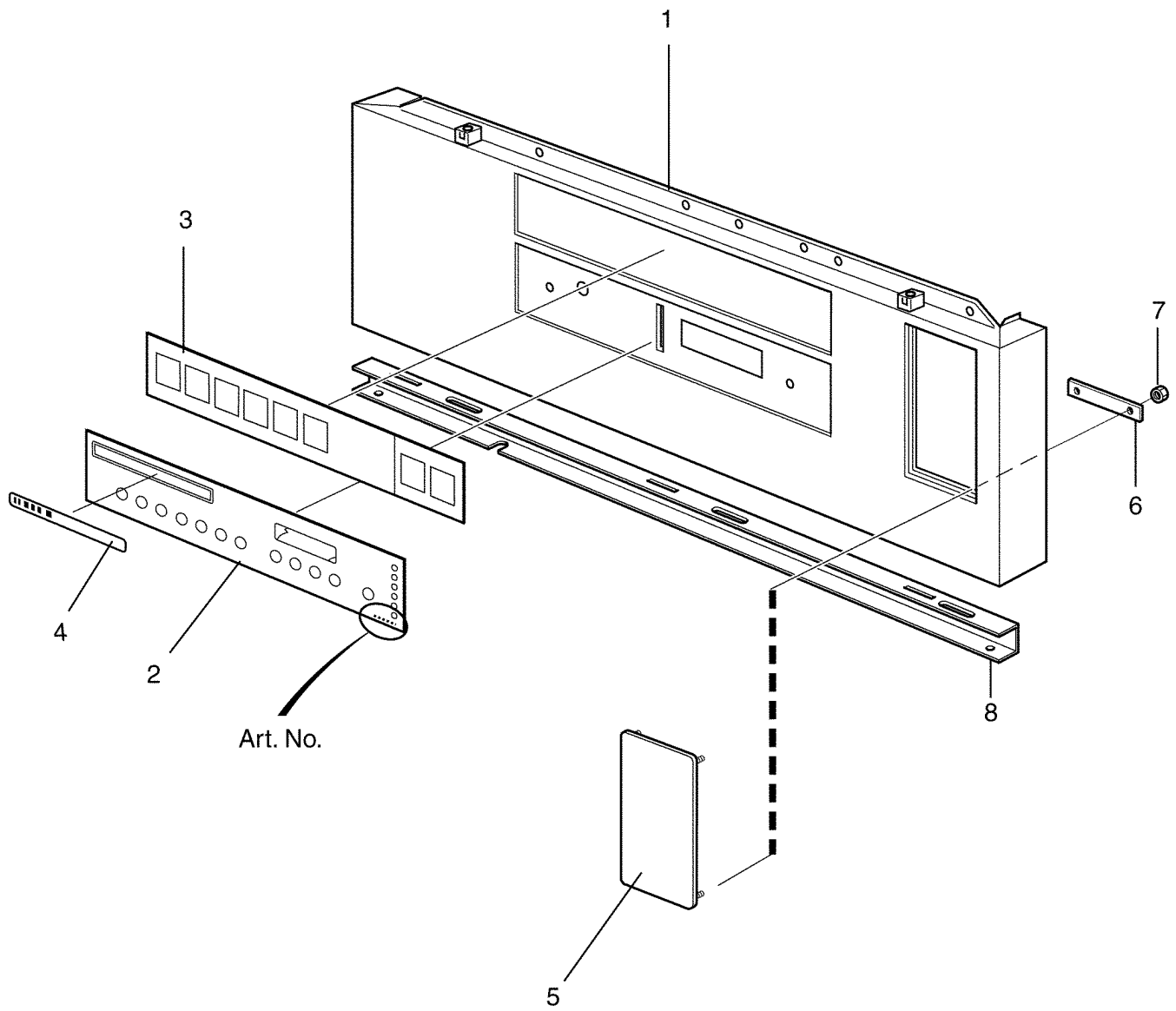
FAG3330N,W3330N

Control panel Exacta

Manöverpanel Exacta

Illustration Issue Month Year
Illustration Utgåva Månad År
102111/1 2 5 2004

Item Pos.	Qua Ant.	Art.No Art.nr	Description	Benämning	Info Info	Notes Anmärkning
	1	432 2650-27	Instruction plate	Instruktionsskylt	3	Program 2R01, QSR Swedish
	1	432 2650-28	Instruction plate	Instruktionsskylt	3	Program 2F01, Farm English
	1	432 2650-29	Instruction plate	Instruktionsskylt	3	Program 2R01, QSR English
	1	432 2650-30	Instruction plate	Instruktionsskylt	3	Program 2F01, Farm German
	1	432 2650-31	Instruction plate	Instruktionsskylt	3	Program 2F02, Westfalla German
	1	432 2650-32	Instruction plate	Instruktionsskylt	3	Program 2L01 German
	1	432 2650-33	Instruction plate	Instruktionsskylt	3	Program 2M01, Mop German
	1	432 2650-34	Instruction plate	Instruktionsskylt	3	Program 2R01, QSR German
	1	432 2650-35	Instruction plate	Instruktionsskylt	3	Program 2W01, Aqua Clean German
	1	432 2650-36	Instruction plate	Instruktionsskylt	3	Program 2H21, Hygienic, Nyborg English
	1	432 2650-37	Instruction plate	Instruktionsskylt	3	Program 2L12, Nyborg English
	1	432 2650-38	Instruction plate	Instruktionsskylt	3	Program 2F01, Farm French
	1	432 2650-39	Instruction plate	Instruktionsskylt	3	Program 2L01 French
	1	432 2650-40	Instruction plate	Instruktionsskylt	3	Program 2L02, Mench French
	1	432 2650-41	Instruction plate	Instruktionsskylt	3	Program 2R01, QSR French
	1	432 2650-42	Instruction plate	Instruktionsskylt	3	Program 2W01, Aqua Clean French
	1	432 2650-43	Instruction plate	Instruktionsskylt	3	Program 2L12 French
	1	432 2650-44	Instruction plate	Instruktionsskylt	3	Program 2F01, Farm Italian
	1	432 2650-45	Instruction plate	Instruktionsskylt	3	Program 2G01 Italian
	1	432 2650-46	Instruction plate	Instruktionsskylt	3	Program 2R01, QSR Italian
	1	432 2650-47	Instruction plate	Instruktionsskylt	3	Program 2L12 Italian
	1	432 2650-48	Instruction plate	Instruktionsskylt	3	Program 2W01, Aqua Clean Italian
	1	432 2650-49	Instruction plate	Instruktionsskylt	3	Program 2F01, Farm Spanish
	1	432 2650-50	Instruction plate	Instruktionsskylt	3	Program 2G01 Spanish
	1	432 2650-51	Instruction plate	Instruktionsskylt	3	Program 2L01 Spanish
	1	432 2650-52	Instruction plate	Instruktionsskylt	3	Program 2R01, QSR Spanish
	1	432 2650-53	Instruction plate	Instruktionsskylt	3	Program 2W01, Aqua Clean Spanish
	1	432 2650-54	Instruction plate	Instruktionsskylt	3	Program 2L12 Spanish
	1	432 2650-55	Instruction plate	Instruktionsskylt	3	Program 2F01, Farm Dutch
	1	432 2650-56	Instruction plate	Instruktionsskylt	3	Program 2G01 Dutch
	1	432 2650-57	Instruction plate	Instruktionsskylt	3	Program 2L01 Dutch
	1	432 2650-58	Instruction plate	Instruktionsskylt	3	Program 2L02, Mench Dutch
	1	432 2650-59	Instruction plate	Instruktionsskylt	3	Program 2R01, QSR Dutch
	1	432 2650-60	Instruction plate	Instruktionsskylt	3	Program 2W01, Aqua Clean Dutch
	1	432 2650-61	Instruction plate	Instruktionsskylt	3	Program 2L12, Nyborg Dutch
	1	432 2650-62	Instruction plate	Instruktionsskylt	3	Program 2F01, Farm Danish
	1	432 2650-63	Instruction plate	Instruktionsskylt	3	Program 2G01 Danish
	1	432 2650-64	Instruction plate	Instruktionsskylt	3	Program 2L01 Danish
	1	432 2650-65	Instruction plate	Instruktionsskylt	3	Program 2R01, QSR Danish
	1	432 2650-66	Instruction plate	Instruktionsskylt	3	Program 2W01, Aqua Clean Danish
	1	432 2650-67	Instruction plate	Instruktionsskylt	3	Program 2A01 Finnish
	1	432 2650-68	Instruction plate	Instruktionsskylt	3	Program 2F01, Farm Finnish
	1	432 2650-69	Instruction plate	Instruktionsskylt	3	Program 2G01 Finnish
	1	432 2650-70	Instruction plate	Instruktionsskylt	3	Program 2L01 Finnish
	1	432 2650-71	Instruction plate	Instruktionsskylt	3	Program 2M11, Mop Finnish
	1	432 2650-72	Instruction plate	Instruktionsskylt	3	Program R01 Finnish
	1	432 2650-73	Instruction plate	Instruktionsskylt	3	Program 2W01, Aqua Clean Finnish
	1	432 2650-74	Instruction plate	Instruktionsskylt	3	Program 2A01 Norwegian
	1	432 2650-75	Instruction plate	Instruktionsskylt	3	Program 2F01, Farm Norwegian

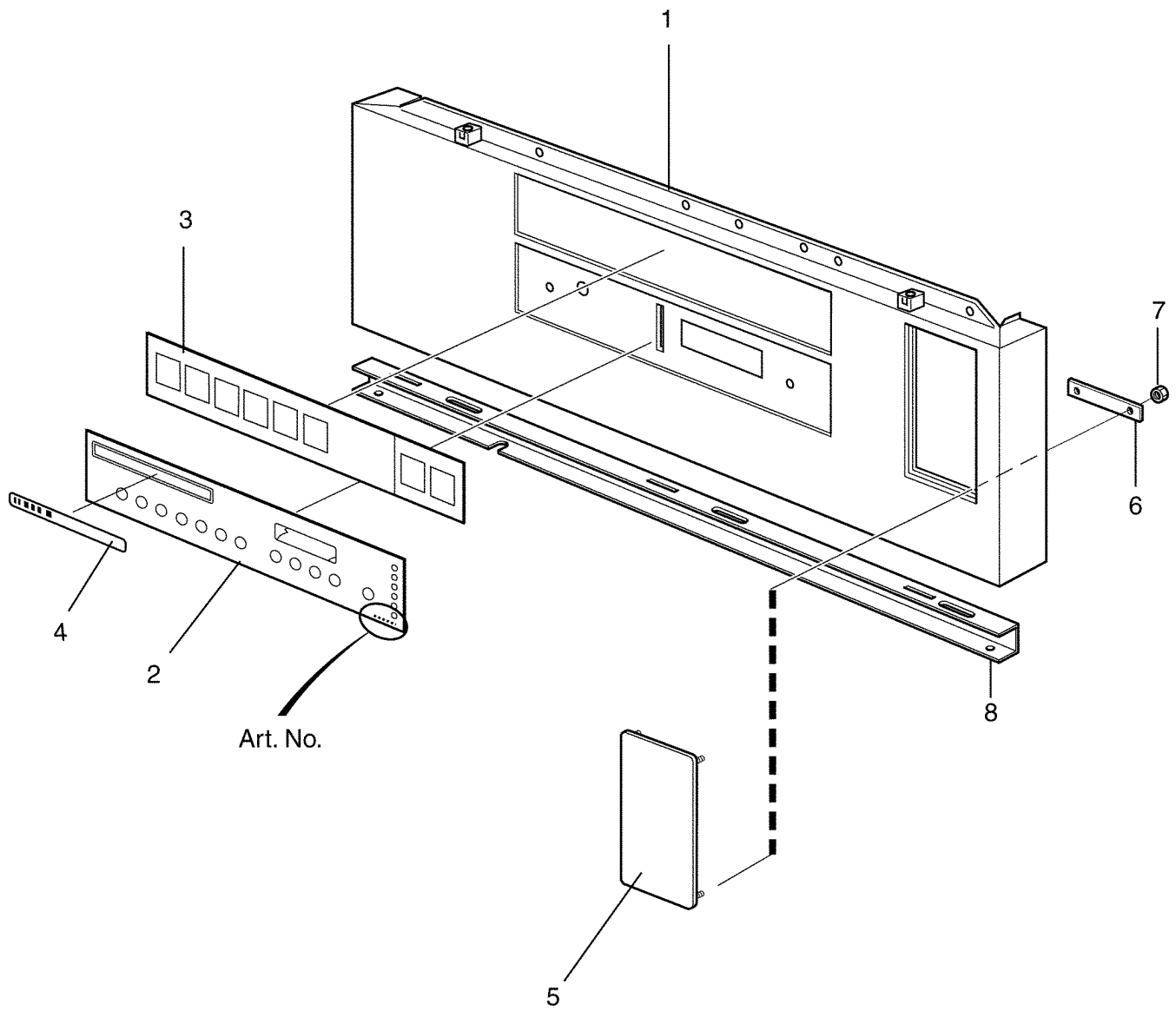


Issue	Month	Year
01	12	01

FAG3330N,W3330N**Control panel Exacta****Manöverpanel Exacta**

Illustration	Issue	Month	Year
Illustration	Utgåva	Månad	År
102111/1	2	5	2004

Item Pos.	Qua Ant.	Art.No Art.nr	Description	Benämning	Info Info	Notes Anmärkning
	1	432 2650-76	Instruction plate	Instruktionsskylt	3	Program 2G01 Norwegian
	1	432 2650-77	Instruction plate	Instruktionsskylt	3	Program 2L01 Norwegian
	1	432 2650-78	Instruction plate	Instruktionsskylt	3	Program 2M11, Mop Norwegian
	1	432 2650-79	Instruction plate	Instruktionsskylt	3	Program 2R01, QSR Norwegian
	1	432 2650-80	Instruction plate	Instruktionsskylt	3	Program 2W01, Aqua Clean Norwegian
	1	432 2650-81	Instruction plate	Instruktionsskylt	3	Program 2L12, Nyborg Norwegian
	1	432 2650-82	Instruction plate	Instruktionsskylt	3	Program 2F01 Polish
	1	432 2650-83	Instruction plate	Instruktionsskylt	3	Program 2G01 Polish
	1	432 2650-84	Instruction plate	Instruktionsskylt	3	Program 2L01 Polish
	1	432 2650-85	Instruction plate	Instruktionsskylt	3	Program 2R01, QSR Polish
	1	432 2650-86	Instruction plate	Instruktionsskylt	3	Program 2W01, Aqua Clean Polish
	1	432 2650-87	Instruction plate	Instruktionsskylt	3	Program 2L12, Nyborg Polish
	1	432 2650-88	Instruction plate	Instruktionsskylt	3	Program 2L31, Emerald Spanish
	1	432 2650-89	Instruction plate	Instruktionsskylt	3	Program 2S01, Selecta Spanish
	1	432 2650-90	Instruction plate	Instruktionsskylt	3	Program 2L31, Emerald French
	1	432 2650-91	Instruction plate	Instruktionsskylt	3	Program 2S01, Selecta French
	1	432 2650-92	Instruction plate	Instruktionsskylt	3	Program 2L01 Italian, English
	1	432 2650-93	Instruction plate	Instruktionsskylt	3	Program 2A11 Mats/heavy laundry, Swedish
	1	432 2650-94	Instruction plate	Instruktionsskylt	3	Program 2A11 Mats/heavy laundry, Danish
	1	432 2650-95	Instruction plate	Instruktionsskylt	3	Program 2A11 Mats/heavy laundry, Norwegian
	1	432 2650-96	Instruction plate	Instruktionsskylt	3	Program 2A11 Mats/heavy laundry, Finnish
	1	432 2650-97	Instruction plate	Instruktionsskylt	3	Program 2F02, Westfalla Swedish
	1	432 2650-98	Instruction plate	Instruktionsskylt	3	Program 2H11 Finnish/Swedish
	1	432 2652-06	Instruction plate	Instruktionsskylt	3	Program 2G01 Swedish
	1	432 2652-07	Instruction plate	Instruktionsskylt	3	Program 2G01 English
	1	432 2652-08	Instruction plate	Instruktionsskylt	3	Program 2L01 English
	1	432 2652-09	Instruction plate	Instruktionsskylt	3	Program 2G01 German
	1	432 2652-10	Instruction plate	Instruktionsskylt	3	Program 2L01 German
	1	432 2652-11	Instruction plate	Instruktionsskylt	3	Program 2L12 German
	1	432 2652-12	Instruction plate	Instruktionsskylt	3	Program 2G01 French
	1	432 2652-13	Instruction plate	Instruktionsskylt	3	Program 2L01 French
	1	432 2652-14	Instruction plate	Instruktionsskylt	3	Program 2L12 French
	1	432 2652-15	Instruction plate	Instruktionsskylt	3	Program 2G01 Italian
	1	432 2652-16	Instruction plate	Instruktionsskylt	3	Program 2L12 Italian
	1	432 2652-17	Instruction plate	Instruktionsskylt	3	Program 2G01 Spanish
	1	432 2652-18	Instruction plate	Instruktionsskylt	3	Program 2L01 Spanish
	1	432 2652-19	Instruction plate	Instruktionsskylt	3	Program 2L12 Spanish
	1	432 2652-20	Instruction plate	Instruktionsskylt	3	Program 2G01 Dutch
	1	432 2652-21	Instruction plate	Instruktionsskylt	3	Program 2L01 Dutch
	1	432 2652-22	Instruction plate	Instruktionsskylt	3	Program 2L12 Dutch
	1	432 2652-23	Instruction plate	Instruktionsskylt	3	Program 2A01 Danish
	1	432 2652-24	Instruction plate	Instruktionsskylt	3	Program 2G01 Danish
	1	432 2652-25	Instruction plate	Instruktionsskylt	3	Program 2L01 Danish
	1	432 2652-26	Instruction plate	Instruktionsskylt	3	Program 2H21 Danish
	1	432 2652-27	Instruction plate	Instruktionsskylt	3	Program 2A01 Finnish



Issue	Month	Year
01	12	01

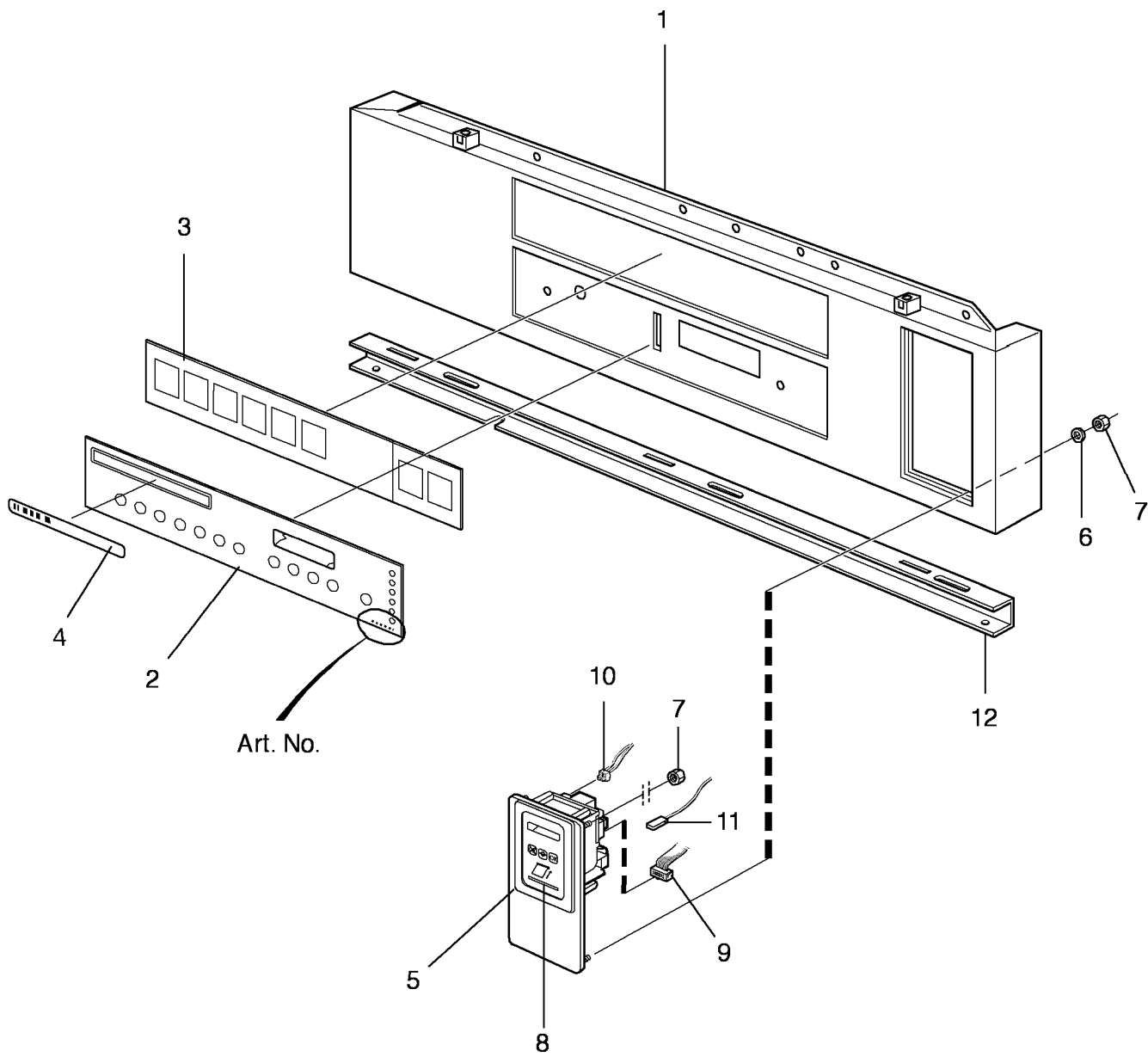
FAG3330N,W3330N

Control panel Exacta

Manöverpanel Exacta

Illustration Issue Month Year
Illustration Utgåva Månad År
102111/1 2 5 2004

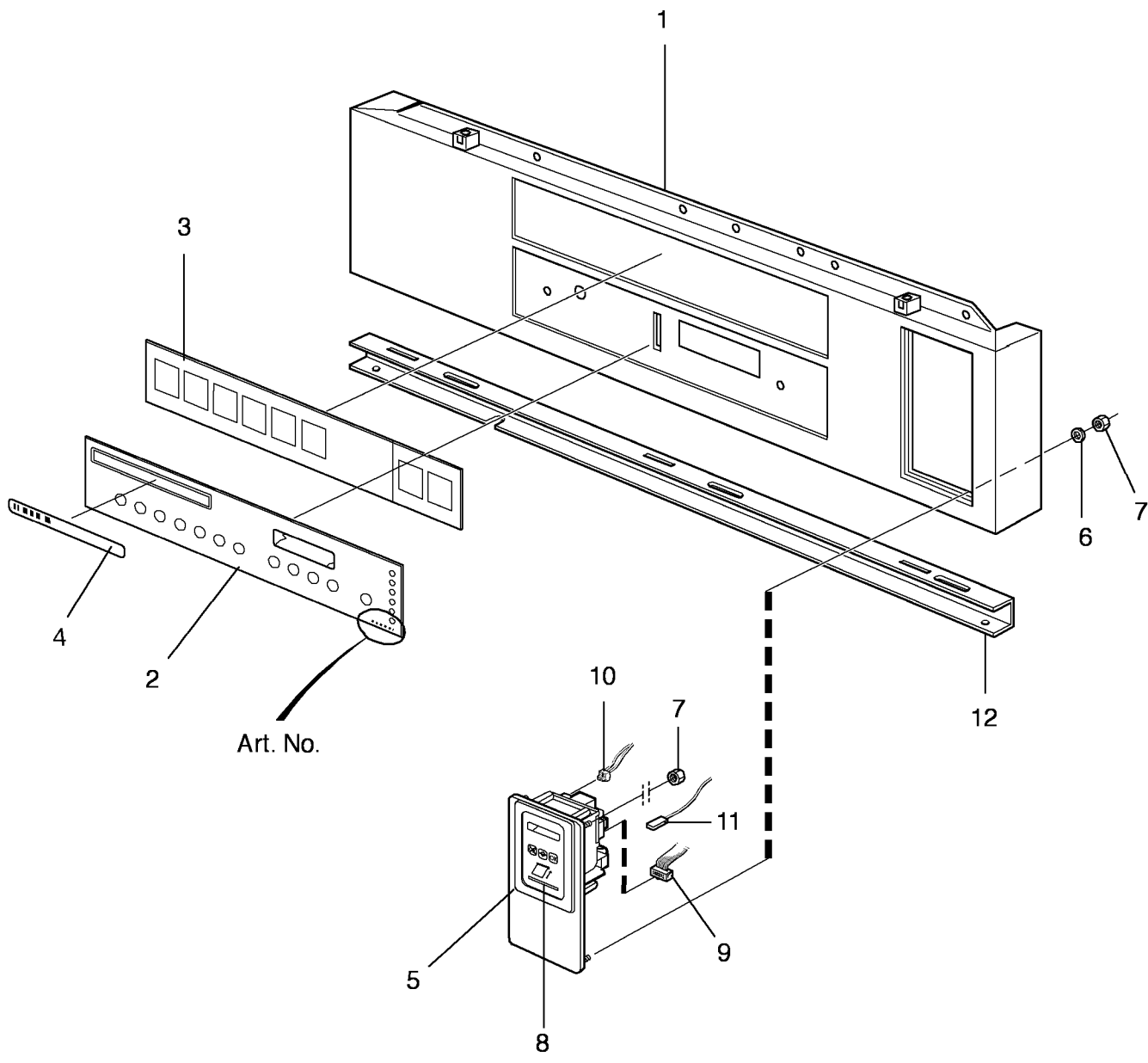
Item Pos.	Qua Ant.	Art.No Art.nr	Description	Benämning	Info Info	Notes Anmärkning
	1	432 2652-28	Instruction plate	Instruktionsskylt	3	Program 2G01 Finnish
	1	432 2652-29	Instruction plate	Instruktionsskylt	3	Program 2L01 Finnish
	1	432 2652-30	Instruction plate	Instruktionsskylt	3	Program 2A01 Norwegian
	1	432 2652-31	Instruction plate	Instruktionsskylt	3	Program 2G01 Norwegian
	1	432 2652-32	Instruction plate	Instruktionsskylt	3	Program 2L01 Norwegian
	1	432 2652-33	Instruction plate	Instruktionsskylt	3	Program 2L12 Norwegian
	1	432 2652-34	Instruction plate	Instruktionsskylt	3	Program 2G01 Polish
	1	432 2652-35	Instruction plate	Instruktionsskylt	3	Program 2L01 Polish
	1	432 2652-36	Instruction plate	Instruktionsskylt	3	Program 2L12 Polish
	1	432 2652-37	Instruction plate	Instruktionsskylt	3	Program 2L01 Italian
	1	432 2652-38	Instruction plate	Instruktionsskylt	3	Program 2L11 German
	1	432 2652-39	Instruction plate	Instruktionsskylt	3	Program 2A01 Danish
	1	432 2652-40	Instruction plate	Instruktionsskylt	3	Program 2A01 Swedish
	1	432 2652-41	Instruction plate	Instruktionsskylt	3	Program 2L01 English
4	1	432 2605-20	Type plate	Typskylt	3	W3330N
	1	432 2605-15	Type plate	Typskylt	3	E675 SuperGiant
	1	432 2605-16	Type plate	Typskylt	3	W675s SuperGiant
5	1	432 2150-01	Cover plate	Täckplåt	3	
6	2	432 2181-01	Bracket	Fäste	3	
7	4	732 2112-01	Locking nut	Låsmutter	3	M4
8	1	432 2138-01	Bracket	Konsol	3	



FAG3330N,W3330N**Control panel Exacta, single system****Manöverpanel Exacta, single system**

Illustration	Issue	Month	Year
Illustration	Utgåva	Månad	År
102114/1	2	9	2004

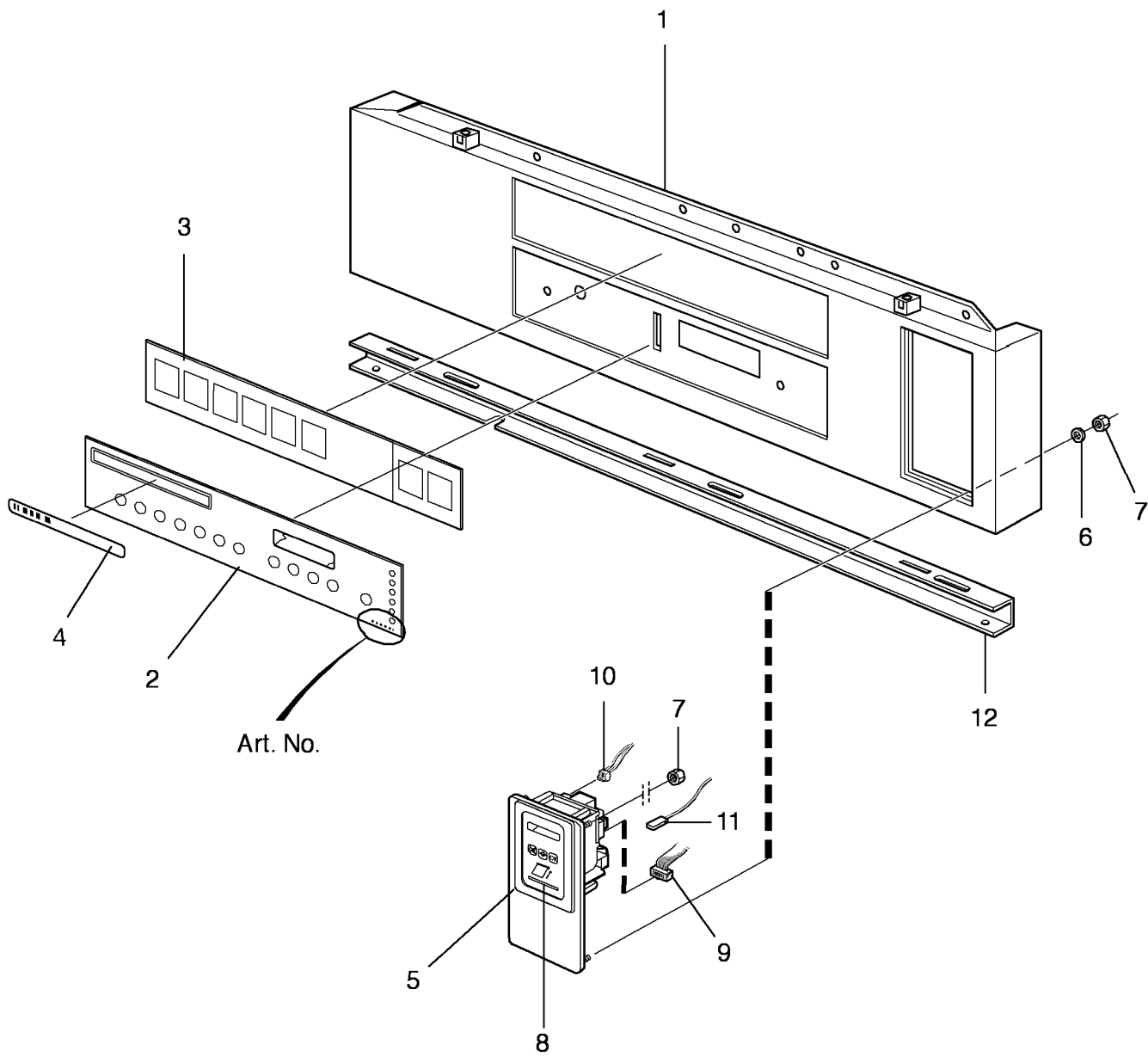
Item Pos.	Qua Ant.	Art.No Art.nr	Description	Benämning	Info Info	Notes Anmärkning
1	1	432 2016-01	Front panel	Frontpanel	3	
2	1	432 2720-01	Panel sign	Panelskylt	1	Program 2A01, 2G41
	1	432 2720-02	Panel sign	Panelskylt	1	Program 2H11
	1	432 2720-17	Panel sign	Panelskylt	1	Program 2H12
	1	432 2720-03	Panel sign	Panelskylt	1	Program 2G01
	1	432 2720-04	Panel sign	Panelskylt	1	Program 2W01, 2H01, 2H02, 2M11, 2F01, 2F02
	1	432 2720-11	Panel sign	Panelskylt	1	Program 2L31
	1	432 2720-06	Panel sign	Panelskylt	1	Program 2L01, 2L02
	1	432 2720-05	Panel sign	Panelskylt	1	Program 2L41
	1	432 2720-14	Panel sign	Panelskylt	1	Program 2L51
	1	432 2720-08	Panel sign	Panelskylt	1	Program 2M01
	1	432 2720-09	Panel sign	Panelskylt	1	Program 2H21
	1	432 2720-10	Panel sign	Panelskylt	1	Program 2L11, 2L12
	1	432 2720-12	Panel sign	Panelskylt	1	Program 2R01
	1	432 2720-15	Panel sign	Panelskylt	1	Program 2S01
	1	432 2720-13	Panel sign	Panelskylt	1	Program 2A11
3	1	432 2649-23	Instruction plate	Instruktionsskylt	3	Program 2H12 Swedish
	1	432 2649-24	Instruction plate	Instruktionsskylt	3	Program 2M12 Swedish
	1	432 2651-06	Instruction plate	Instruktionsskylt	3	Program 2G01 Payment system, Swedish
	1	432 2651-07	Instruction plate	Instruktionsskylt	3	Program 2G01 Payment system, English
	1	432 2651-08	Instruction plate	Instruktionsskylt	3	Program 2L01 Payment system, English
	1	432 2651-09	Instruction plate	Instruktionsskylt	3	Program 2G01 Payment system, German
	1	432 2651-10	Instruction plate	Instruktionsskylt	3	Program 2L01 Payment system, German
	1	432 2651-11	Instruction plate	Instruktionsskylt	3	Program 2L12 Payment system, German
	1	432 2651-12	Instruction plate	Instruktionsskylt	3	Program 2G01 Payment system, French
	1	432 2651-13	Instruction plate	Instruktionsskylt	3	Program 2L01 Payment system, French
	1	432 2651-14	Instruction plate	Instruktionsskylt	3	Program 2L12 Payment system, French
	1	432 2651-15	Instruction plate	Instruktionsskylt	3	Program 2G01 Payment system, Italian
	1	432 2651-16	Instruction plate	Instruktionsskylt	3	Program 2L12 Payment system, Italian
	1	432 2651-17	Instruction plate	Instruktionsskylt	3	Program 2G01 Payment system, Spanish
	1	432 2651-18	Instruction plate	Instruktionsskylt	3	Program 2L01 Payment system, Spanish
	1	432 2651-19	Instruction plate	Instruktionsskylt	3	Program 2L12 Payment system, Spanish
	1	432 2651-20	Instruction plate	Instruktionsskylt	3	Program 2G01 Payment system, Dutch
	1	432 2651-21	Instruction plate	Instruktionsskylt	3	Program 2L01 Payment system, Dutch
	1	432 2651-22	Instruction plate	Instruktionsskylt	3	Program 2L12 Payment system, Dutch
	1	432 2651-23	Instruction plate	Instruktionsskylt	3	Program 2A01 Payment system, Danish
	1	432 2651-24	Instruction plate	Instruktionsskylt	3	Program 2G01 Payment system, Danish
	1	432 2651-25	Instruction plate	Instruktionsskylt	3	Program 2L01 Payment system, Danish



FAG3330N,W3330N**Control panel Exacta, single system****Manöverpanel Exacta, single system**

Illustration	Issue	Month	Year
Illustration	Utgåva	Månad	År
102114/1	2	9	2004

Item Pos.	Qua Ant.	Art.No Art.nr	Description	Benämning	Info Info	Notes Anmärkning
	1	432 2651-26	Instruction plate	Instruktionsskylt	3	Program 2H21 Payment system, Danish
	1	432 2651-27	Instruction plate	Instruktionsskylt	3	Program 2A01 Payment system, Finnish
	1	432 2651-28	Instruction plate	Instruktionsskylt	3	Program 2G01 Payment system, Finnish
	1	432 2651-29	Instruction plate	Instruktionsskylt	3	Program 2L01 Payment system, Finnish
	1	432 2651-30	Instruction plate	Instruktionsskylt	3	Program 2A01 Payment system, Norwegian
	1	432 2651-31	Instruction plate	Instruktionsskylt	3	Program 2G01 Payment system, Norwegian
	1	432 2651-32	Instruction plate	Instruktionsskylt	3	Program 2L01 Payment system, Norwegian
	1	432 2651-33	Instruction plate	Instruktionsskylt	3	Program 2L12 Payment system, Norwegian
	1	432 2651-34	Instruction plate	Instruktionsskylt	3	Program 2G01 Payment system, Polish
	1	432 2651-35	Instruction plate	Instruktionsskylt	3	Program 2L01 Payment system, Polish
	1	432 2651-36	Instruction plate	Instruktionsskylt	3	Program 2L12 Payment system, Polish
	1	432 2651-37	Instruction plate	Instruktionsskylt	3	Program 2L31, 34 Payment system, USA, English
	1	432 2651-38	Instruction plate	Instruktionsskylt	3	Program 2S01 Payment system, USA, English
	1	432 2651-39	Instruction plate	Instruktionsskylt	3	Program 2L31 Payment system, USA, Spanish
	1	432 2651-40	Instruction plate	Instruktionsskylt	3	Program 2S01 Payment system, USA, Spanish
	1	432 2651-41	Instruction plate	Instruktionsskylt	3	Program 2L31 Payment system, USA, French
	1	432 2651-42	Instruction plate	Instruktionsskylt	3	Program 2S01 Payment system, USA, French
	1	432 2651-43	Instruction plate	Instruktionsskylt	3	Program 2L01 Payment system, Italian
	1	432 2651-44	Instruction plate	Instruktionsskylt	3	Program 2A01 Danish
	1	432 2651-45	Instruction plate	Instruktionsskylt	3	Program 2A01 Swedish
	1	432 2651-46	Instruction plate	Instruktionsskylt	3	Program 2L01 English
	1	432 2651-47	Instruction plate	Instruktionsskylt	3	Program 2L11 German
4	1	432 2605-20	Type plate	Typskylt	3	W3330N
	1	432 2605-15	Type plate	Typskylt	3	E675 SuperGiant
	1	432 2605-16	Type plate	Typskylt	3	W675s SuperGiant
5	1	432 2150-03	Cover plate	Täckplåt	3	
6	2	432 2181-01	Bracket	Fäste	3	
7	4	732 2112-01	Locking nut	Låsmutter	3	M4
8	1	487 0178-00	Single system	Single system	3	Coin-op German
	1	487 0178-02	Single system	Single system	3	Coin-op Japanese
	1	487 0178-04	Single system	Single system	3	Coin-op Danish
	1	487 0178-06	Single system	Single system	3	Coin-op English
	1	487 0178-20	Single system	Single system	3	AHL Danish
	1	487 0178-22	Single system	Single system	3	AHL Swedish
	1	487 0178-24	Single system	Single system	3	AHL English
	1	487 0178-26	Single system	Single system	3	AHL Norwegian
	1	487 0178-28	Single system	Single system	3	AHL Finnish
	1	487 0178-30	Single system	Single system	3	AHL German
9	1	432 2930-01	Cable set	Ledningssats	3	J3
10	1	432 2940-01	Cable set	Ledningssats	3	X34 -795/4624
	1	432 3040-01	Cable set	Ledningssats	3	795/4625-



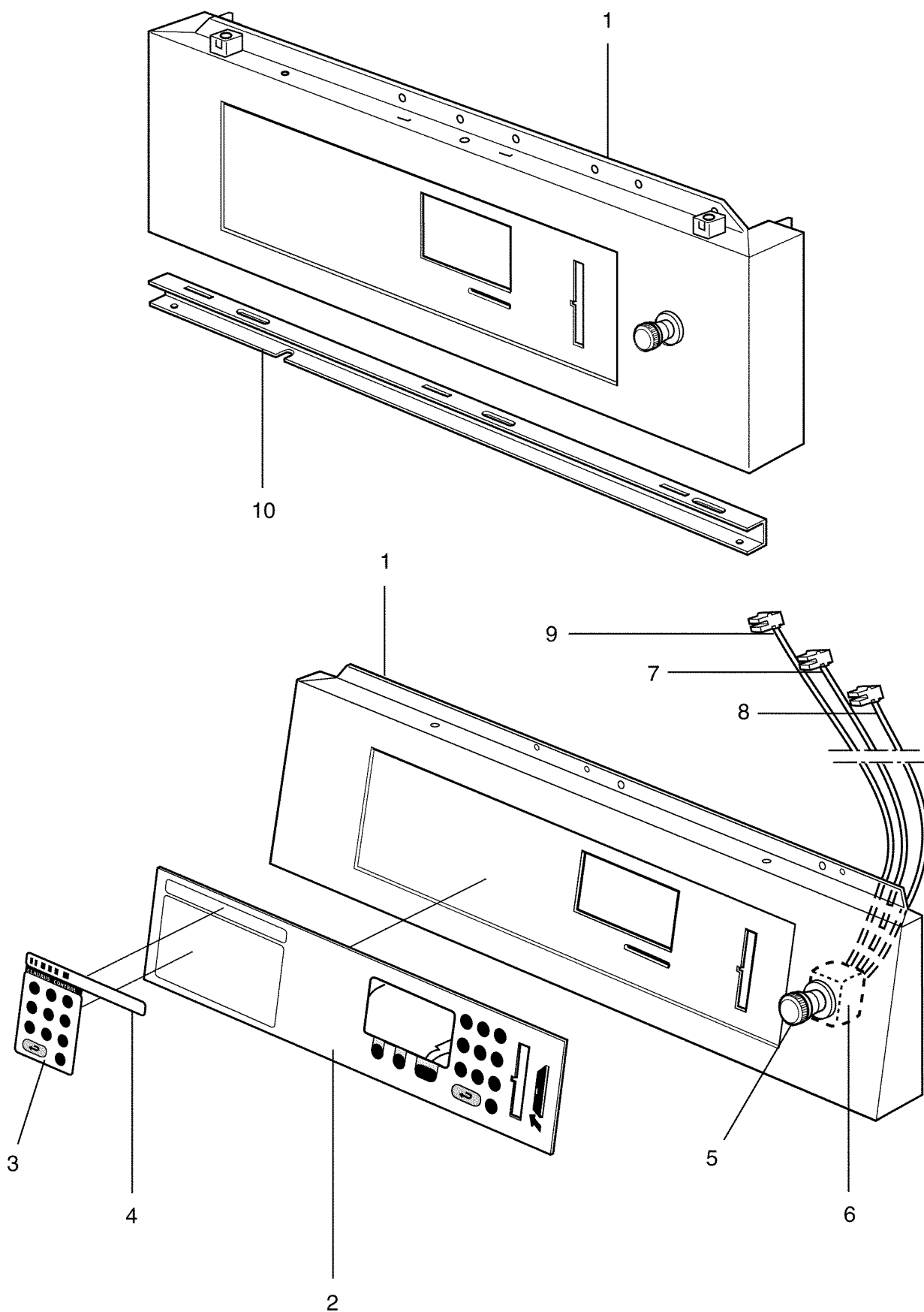
FAG3330N,W3330N

Control panel Exacta, single system

Manöverpanel Exacta, single system

Illustration	Issue	Month	Year
Illustration	Utgåva	Månad	År
102114/1	2	9	2004

Item Pos.	Qua Ant.	Art.No Art.nr	Description	Benämning	Info Info	Notes Anmärkning
11	1	432 2982-20	Cable set	Ledningssats	3	Ground
12	1	432 2138-01	Bracket	Konsol	3	

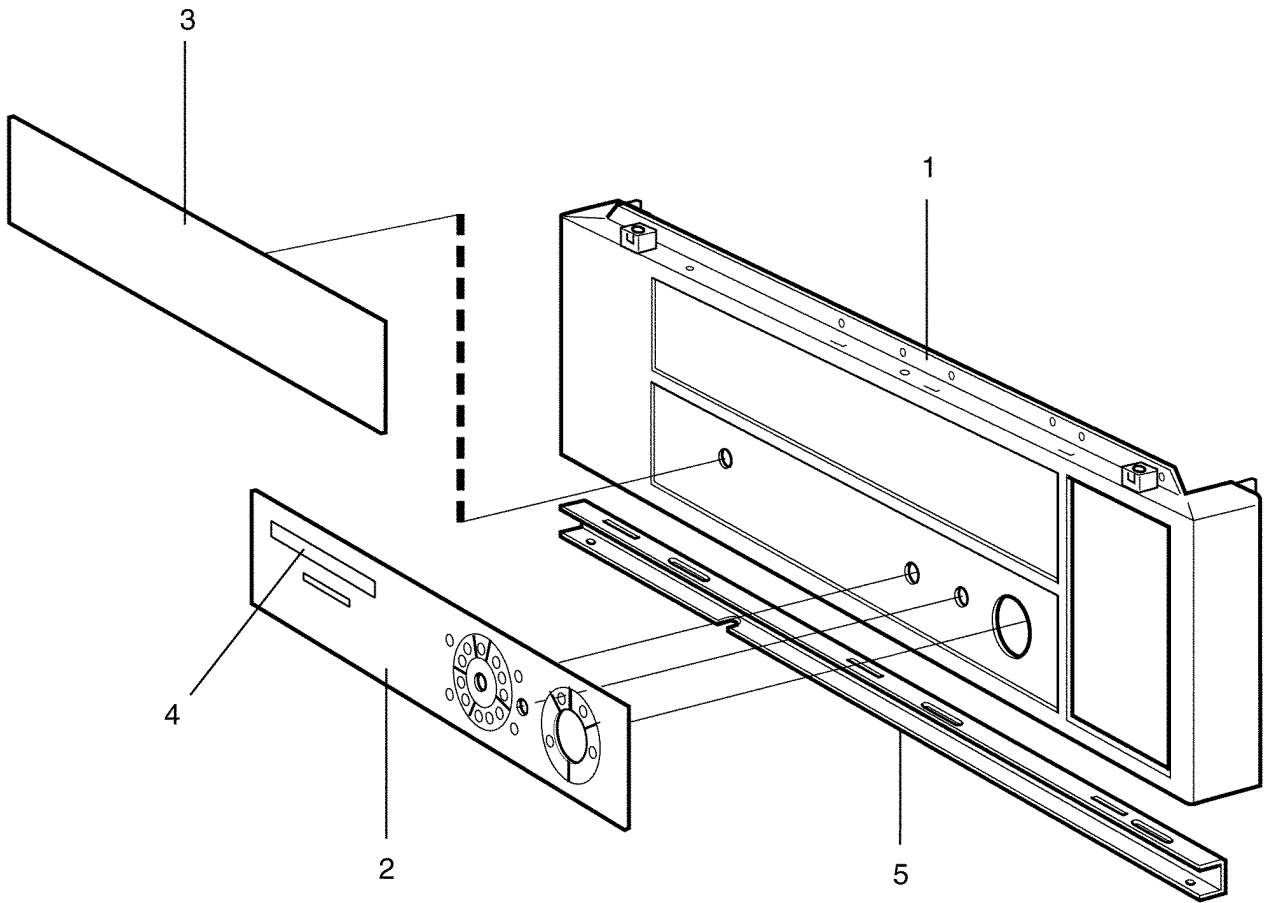


Issue	Month	Year
02	09	03

FAG3330N,W3330N**Control panel Clarus****Manöverpanel Clarus**

Illustration	Issue	Month	Year
Illustration	Utgåva	Månad	År
101770/2	5	9	2004

Item Pos.	Qua Ant.	Art.No Art.nr	Description	Benämning	Info Info	Notes Anmärkning
1	1	432 2024-01	Front panel	Frontpanel	3	
2	1	432 2750-01	Control panel	Manöverpanel	1,2	
3	1	432 2630-01	Instruction plate	Instruktionsskylt	3	Swedish
	1	432 2630-02	Instruction plate	Instruktionsskylt	3	English, Italian
	1	432 2630-03	Instruction plate	Instruktionsskylt	3	Japanese
	1	432 2630-04	Instruction plate	Instruktionsskylt	3	German
	1	432 2630-02	Instruction plate	Instruktionsskylt	3	English, Italian
	1	432 2630-06	Instruction plate	Instruktionsskylt	3	Danish
	1	432 2630-02	Instruction plate	Instruktionsskylt	3	English, Italian
	1	432 2630-06	Instruction plate	Instruktionsskylt	3	Danish
	1	432 2630-09	Instruction plate	Instruktionsskylt	3	Spanish
	1	432 2630-10	Instruction plate	Instruktionsskylt	3	Polish
4	1	432 2605-20	Type plate	Typskylt	3	W3330N
	1	432 2605-13	Type plate	Typskylt	3	W675c SuperGiant
5	1	471 9628-32	Emergency stop	Nödstopp	1,2	
6	1	471 9628-33	Contact block	Kontaktblock	1,2	
7	1	432 3182-61	Cable set	Ledningssats	3	-795/4624
	1	432 3192-61	Cable set	Ledningssats	3	795/4625-
8	1	432 3182-72	Cable set	Ledningssats	3	-795/4624
	1	432 3192-72	Cable set	Ledningssats	3	795/4625-
9	1	432 3182-78	Cable set	Ledningssats	3	-795/4624
	1	432 3192-78	Cable set	Ledningssats	3	795/4625-
10	1	432 2138-01	Bracket	Konsol	3	



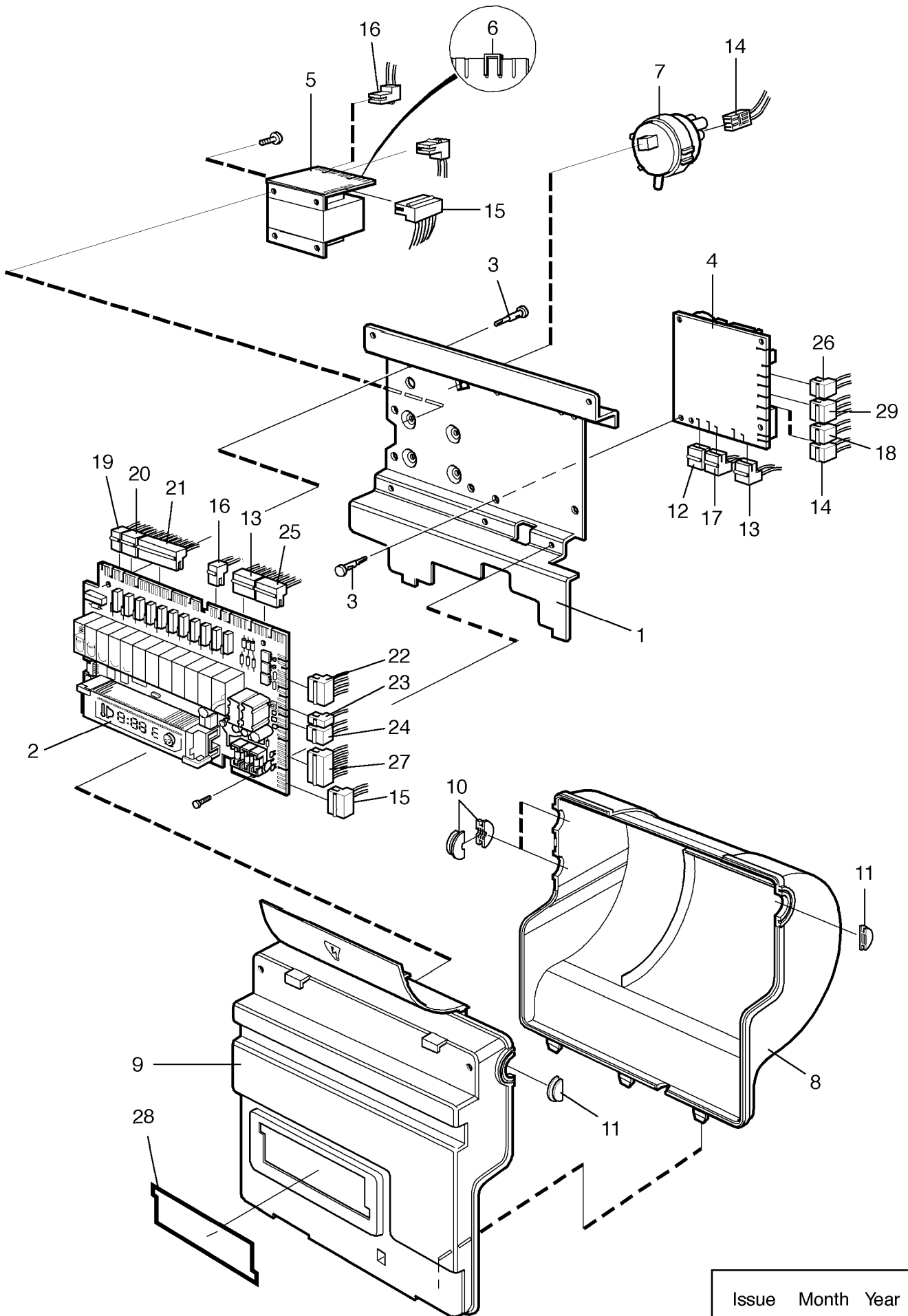
FAG3330N,W3330N

Control panel Classic

Manöverpanel Classic

Illustration Issue Month Year
Illustration Utgåva Månad År
101949/3 5 5 2004

Item Pos.	Qua Ant.	Art.No Art.nr	Description	Benämning	Info Info	Notes Anmärkning
1	1	432 2015-01	Front panel	Frontpanel	3	
2	1	432 2802-01	Panel sign	Panelskylt	1,2	OG01
	1	432 2802-40	Panel sign	Panelskylt	1,2	OL02
	1	432 2802-80	Panel sign	Panelskylt	1,2	OL03
3	1	432 2851-01	Instruction plate	Instruktionsskylt	3	OG01 English Without coin meter
	1	432 2851-02	Instruction plate	Instruktionsskylt	3	OG01 English With coin meter
	1	432 2851-04	Instruction plate	Instruktionsskylt	3	OG01 German Without coin meter
	1	432 2851-05	Instruction plate	Instruktionsskylt	3	OG01 German With coin meter
	1	432 2851-07	Instruction plate	Instruktionsskylt	3	OG01 Italian Without coin meter
	1	432 2851-08	Instruction plate	Instruktionsskylt	3	OG01 Italian With coin meter
	1	432 2851-10	Instruction plate	Instruktionsskylt	3	OG01 French Without coin meter
	1	432 2851-11	Instruction plate	Instruktionsskylt	3	OG01 French With coin meter
	1	432 2851-13	Instruction plate	Instruktionsskylt	3	OG01 Spanish Without coin meter
	1	432 2851-14	Instruction plate	Instruktionsskylt	3	OG01 Spanish With coin meter
	1	432 2851-16	Instruction plate	Instruktionsskylt	3	OG01 Dutch Without coin meter
	1	432 2851-17	Instruction plate	Instruktionsskylt	3	OG01 Dutch With coin meter
	1	432 2851-19	Instruction plate	Instruktionsskylt	3	OG01 Norwegian Without coin meter
	1	432 2851-25	Instruction plate	Instruktionsskylt	3	OG01 Polish WITHOUT COIN-METER
	1	432 2851-40	Instruction plate	Instruktionsskylt	3	OL02 English Without coin meter
	1	432 2851-41	Instruction plate	Instruktionsskylt	3	OL02 English With coin meter
	1	432 2851-43	Instruction plate	Instruktionsskylt	3	OL02 German Without coin meter
	1	432 2851-44	Instruction plate	Instruktionsskylt	3	OL02 German With coin meter
	1	432 2851-46	Instruction plate	Instruktionsskylt	3	OL02 Italian Without coin meter
	1	432 2851-47	Instruction plate	Instruktionsskylt	3	OL02 Italian With coin meter
	1	432 2851-49	Instruction plate	Instruktionsskylt	3	OL02 French Without coin meter
	1	432 2851-50	Instruction plate	Instruktionsskylt	3	OL02 French With coin meter
	1	432 2851-52	Instruction plate	Instruktionsskylt	3	OL02 Spanish Without coin meter
	1	432 2851-53	Instruction plate	Instruktionsskylt	3	OL02 Spanish With coin meter
	1	432 2851-54	Instruction plate	Instruktionsskylt	3	OL02 Dutch Without coin meter
	1	432 2851-55	Instruction plate	Instruktionsskylt	3	OL02 Dutch With coin meter
	1	432 2851-80	Instruction plate	Instruktionsskylt	3	OL03 English Without coin meter
	1	432 2851-81	Instruction plate	Instruktionsskylt	3	OL03 English With coin meter
	1	432 2851-85	Instruction plate	Instruktionsskylt	3	OL03 French Without coin meter
	1	432 2851-86	Instruction plate	Instruktionsskylt	3	OL03 French With coin meter
4	1	432 2605-20	Type plate	Typskylt	3	W3330N
	1	432 2605-14	Type plate	Typskylt	3	W675 SuperGiant
5	1	432 2138-01	Bracket	Konsol	3	

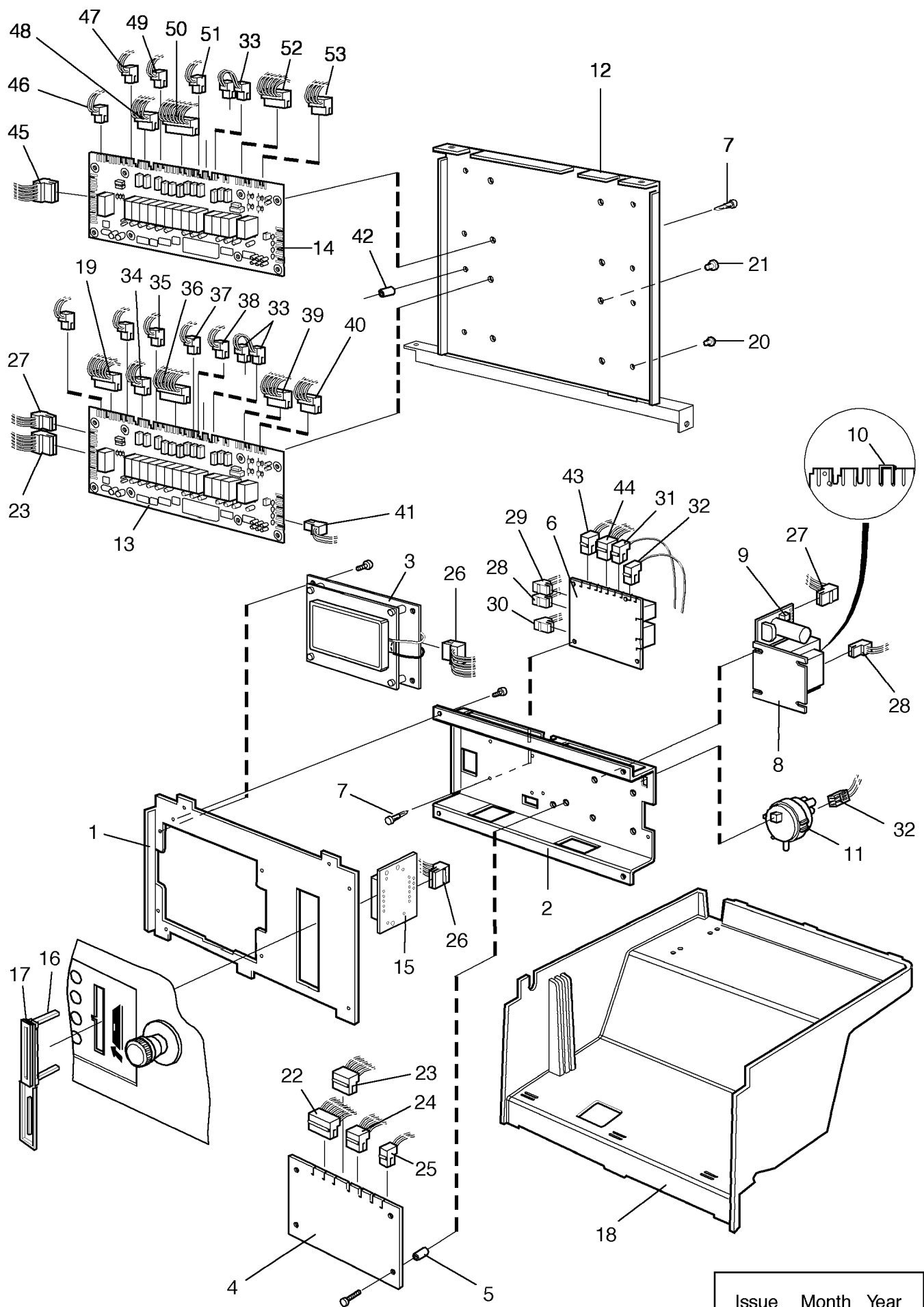


FAG3330N,W3330N**Electrical components Exacta**

Illustration	Issue	Month	Year
Illustration	Utgåva	Månad	År
102125/1	3	9	2004

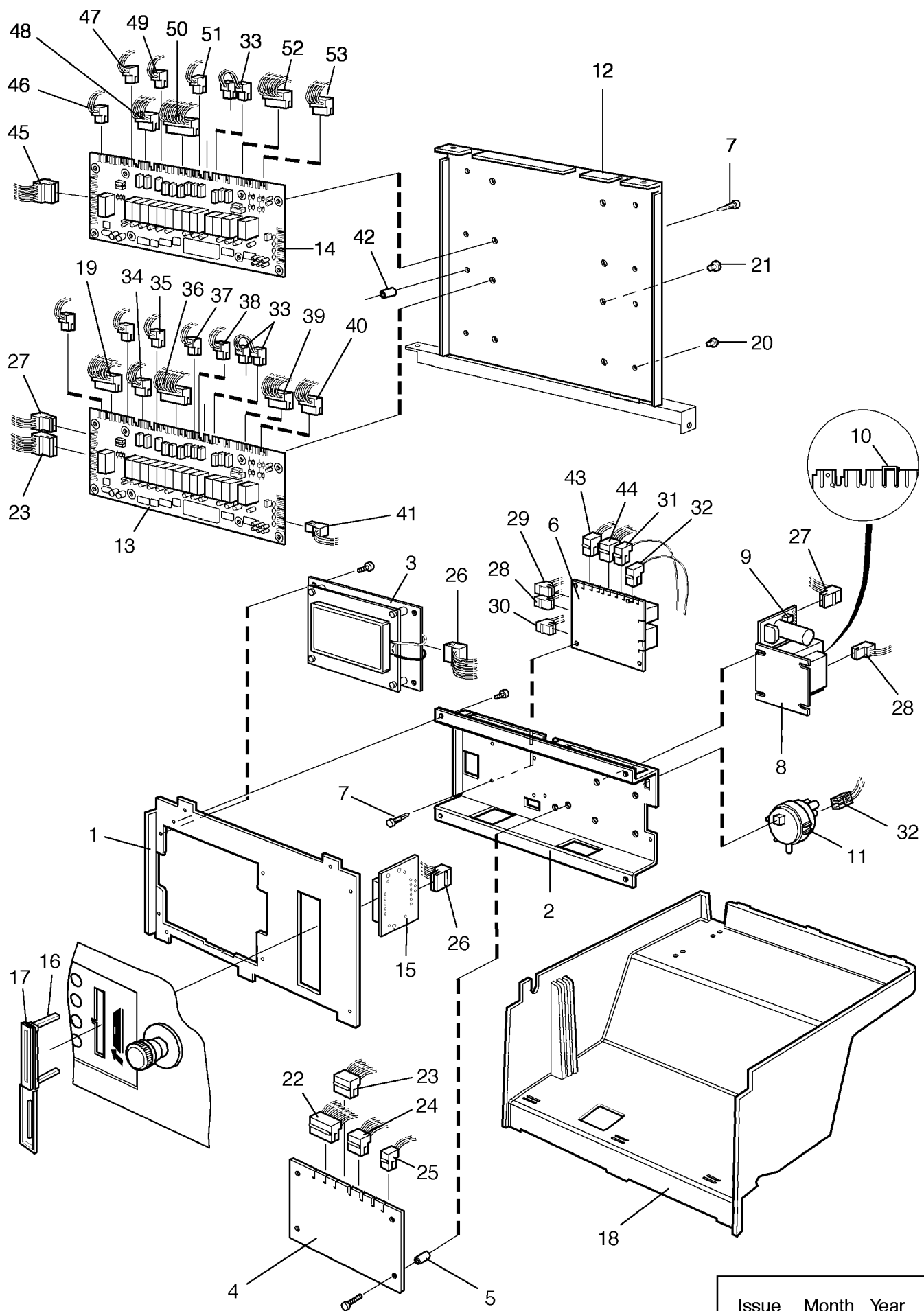
Eldetaljer Exacta

Item Pos.	Qua Ant.	Art.No Art.nr	Description	Benämning	Info Info	Notes Anmärkning
1	1	432 2167-01	Mounting plate	Fästplåt	3	
2	1	471 8988-11	Printed circuit board	Elektronikkort	1,2	
3	6	471 7958-02	Support	Stöd	3	
4	1	438 9555-11	Control unit	Styrenhet	1,2	230V
	1	438 9555-12	Control unit	Styrenhet	1,2	120V
5	1	471 9558-12	Transformer	Transformator	1	
6	1	472 9913-43	Clamp	Bygel	3	Kit 25 pcs
7	1	471 8861-01	Level guard	Nivåvakt	1,2	
8	1	432 3910-01	Protective cover	Skyddskåpa	3	Rear
9	1	432 3909-01	Protective cover	Skyddskåpa	3	Front
10	4	432 3907-01	Grommet	Genomföring	3	
11	2	432 3908-01	Grommet	Genomföring	3	
12	1	432 3082-47	Cable set	Ledningssats	3	X90-X45 -795/4624
	1	432 3092-47	Cable set	Ledningssats	3	795/4625-
13	1	432 3082-58	Cable set	Ledningssats	3	X31-X92 -795/4624
	1	432 3092-58	Cable set	Ledningssats	3	795/4625-
14	1	432 3182-94	Cable set	Ledningssats	3	X93 -795/4624
	1	432 3192-94	Cable set	Ledningssats	3	795/4625-
15	1	432 3087-05	Cable set	Ledningssats	3	X20-X172 -795/4624
	1	432 3097-05	Cable set	Ledningssats	3	795/4625-
16	1	432 3082-26	Cable set	Ledningssats	3	X33-X278 -795/4624
	1	432 3092-26	Cable set	Ledningssats	3	795/4625-
17	1	432 3082-42	Cable set	Ledningssats	3	X91-X178 -795/4624
	1	432 3092-42	Cable set	Ledningssats	3	795/4625-
18	1	432 3182-20	Cable set	Ledningssats	3	X94-X304 -795/4624
	1	432 3192-20	Cable set	Ledningssats	3	795/4625-
19	1	432 3082-51	Cable set	Ledningssats	3	X37-X302 -795/4624
	1	432 3092-51	Cable set	Ledningssats	3	795/4625-
20	1	432 3088-31	Cable set	Ledningssats	3	X36-X48 -795/4624
	1	432 3098-31	Cable set	Ledningssats	3	795/4625-
21	1	432 3087-31	Cable set	Ledningssats	3	X35-X43 -795/4624
	1	432 3097-31	Cable set	Ledningssats	3	795/4625-
22	1	432 3184-03	Cable set	Ledningssats	3	X24-X301 -795/4624
	1	432 3194-03	Cable set	Ledningssats	3	795/4625-
23	1	432 3082-78	Cable set	Ledningssats	3	X23 -795/4624
	1	432 3092-78	Cable set	Ledningssats	3	795/4625-
24	1	432 3082-19	Cable set	Ledningssats	3	X22-X40 -795/4624
	1	432 3092-19	Cable set	Ledningssats	3	795/4625-
25	1	432 3086-93	Cable set	Ledningssats	3	X30 -795/4624
	1	432 3096-93	Cable set	Ledningssats	3	795/4625-
26	1	432 3082-89	Cable set	Ledningssats	3	X96 -795/4624
	1	432 3092-89	Cable set	Ledningssats	3	795/4625-
27	1	432 3086-10	Cable set	Ledningssats	3	X21 -795/4624
	1	432 3096-10	Cable set	Ledningssats	3	795/4625-
28						Not used
29	1	432 3083-36	Cable set	Ledningssats	3	X95 -795/4624
	1	432 3093-36	Cable set	Ledningssats	3	795/4625-



FAG3330N,W3330N**Electrical components Clarus**Illustration Issue Month Year
Illustration Utgåva Månad År**Eldetaljer Clarus****102126/1 5 8 2006**

Item Pos.	Qua Ant.	Art.No Art.nr	Description	Benämning	Info Info	Notes Anmärkning
1	1	432 2159-01	Mounting plate	Fästplåt	3	
2	1	432 2160-01	Mounting plate	Fästplåt	3	
* 3	1	471 8997-03	Display	Display	1,2	
4	1	471 8993-01	Printed circuit board	Kretskort	1,2	Not configured
	1	438 7166-01	Printed circuit board	Kretskort	1,2	7G02, HW, 1 I/O-card USA
	1	438 7166-02	Printed circuit board	Kretskort	1,2	7G01, 1 I/O-card Dutch
	1	438 7166-03	Printed circuit board	Kretskort	1,2	7G01, 1 I/O-card English
	1	438 7166-20	Printed circuit board	Kretskort	1,2	7W01 2 I/O-cards English
	1	438 7166-04	Printed circuit board	Kretskort	1,2	7G02, 1 I/O-card Great Britain
	1	438 7166-22	Printed circuit board	Kretskort	1,2	7W02, 2 I/O-cards GB English
	1	438 7166-05	Printed circuit board	Kretskort	1,2	7G01, 1 I/O-card Danish
	1	438 7166-06	Printed circuit board	Kretskort	1,2	7G01, 1 I/O-card Finnish
	1	438 7166-07	Printed circuit board	Kretskort	1,2	7G01, 1 I/O-card German
	1	438 7166-08	Printed circuit board	Kretskort	1,2	7G01, 1 I/O-card German
	1	438 7166-09	Printed circuit board	Kretskort	1,2	7G01, 1 I/O-card Italian
	1	438 7166-10	Printed circuit board	Kretskort	1,2	7G03, 1 I/O-card Japanese
	1	438 7166-11	Printed circuit board	Kretskort	1,2	7G01, 1 I/O-card Norwegian
	1	438 7166-12	Printed circuit board	Kretskort	1,2	7G01, 1 I/O-card Polish
	1	438 7166-13	Printed circuit board	Kretskort	1,2	7G01, 1 I/O-card Swedish
	1	438 7166-14	Printed circuit board	Kretskort	1,2	7G01, 1 I/O-card Spanish
	1	438 7166-15	Printed circuit board	Kretskort	1,2	7G02, 1 I/O-card USA
	1	438 7166-16	Printed circuit board	Kretskort	1,2	7G01, HW, 1 I/O-card English
	1	438 7166-17	Printed circuit board	Kretskort	1,2	7G01, HW, 1 I/O-card French
	1	438 7166-18	Printed circuit board	Kretskort	1,2	7W01 2 I/O-cards French
	1	438 7166-19	Printed circuit board	Kretskort	1,2	7W01 2 I/O-cards German
5	4	438 0299-01	Spacer	Distans	3	
6	1	438 9555-11	Control unit	Styrenhet	1,2	230V
	1	438 9555-12	Control unit	Styrenhet	1,2	120V
7	Rq	471 7958-02	Support	Stöd	3	
8	1	471 8792-01	Transformer	Transformator	3	
9	1	471 8750-11	•Fuse	•Säkring	1,2	1,25A
10	1	472 9913-43	Clamp	Bygel	3	Kit 25 pcs
11	1	471 8861-01	Level guard	Nivåvakt	1,2	
12	1	432 2161-01	Cover	Lock	3	
* 13	1	471 8995-11	Printed circuit board	Kretskort	1,2	I/O-card Configured
* 14	1	471 8995-12	Printed circuit board	Kretskort	1,2	I/O-card Configured
15	1	471 8793-01	Card reader	Kortläsare	1	
16	1	432 0150-01	Bracket	Hållare	3	
17	1	432 0149-01	Rubber cap	Gummihuv	3	
18	1	432 2162-01	Protective cover	Skyddskåpa	3	
19	1	432 3086-92	Cable set	Ledningssats	3	-795/4624
	1	432 3096-92	Cable set	Ledningssats	3	795/4625-
20	4		Plug	Plugg	3	Ø3,5
21	4		Plug	Plugg	3	Ø6,5
22	1	432 3087-92	Cable set	Ledningssats	3	A1X6-A2X6 -795/4624
	1	432 3097-92	Cable set	Ledningssats	3	795/4625-
23	1	432 3085-15	Cable set	Ledningssats	3	A11X2-A1X5 -795/4624
	1	432 3095-15	Cable set	Ledningssats	3	795/4625-
24	1	432 3084-41	Cable set	Ledningssats	3	A1X4-X301 -795/4624
	1	432 3094-41	Cable set	Ledningssats	3	795/4625-
25	1	432 3082-78	Cable set	Ledningssats	3	A1X1-Temp. sensor -795/4624
	1	432 3092-78	Cable set	Ledningssats	3	795/4625-
26	1	432 2981-01	Cable set	Ledningssats	3	
27	1	432 3083-75	Cable set	Ledningssats	3	A11X3-X172 -795/4624
	1	432 3093-75	Cable set	Ledningssats	3	795/4625-
28	1	432 3082-41	Cable set	Ledningssats	3	X91-X178 -795/4624
	1	432 3092-41	Cable set	Ledningssats	3	795/4625-
29	1	432 3082-59	Cable set	Ledningssats	3	A11X4-X92 -795/4624
	1	432 3092-59	Cable set	Ledningssats	3	795/4625-

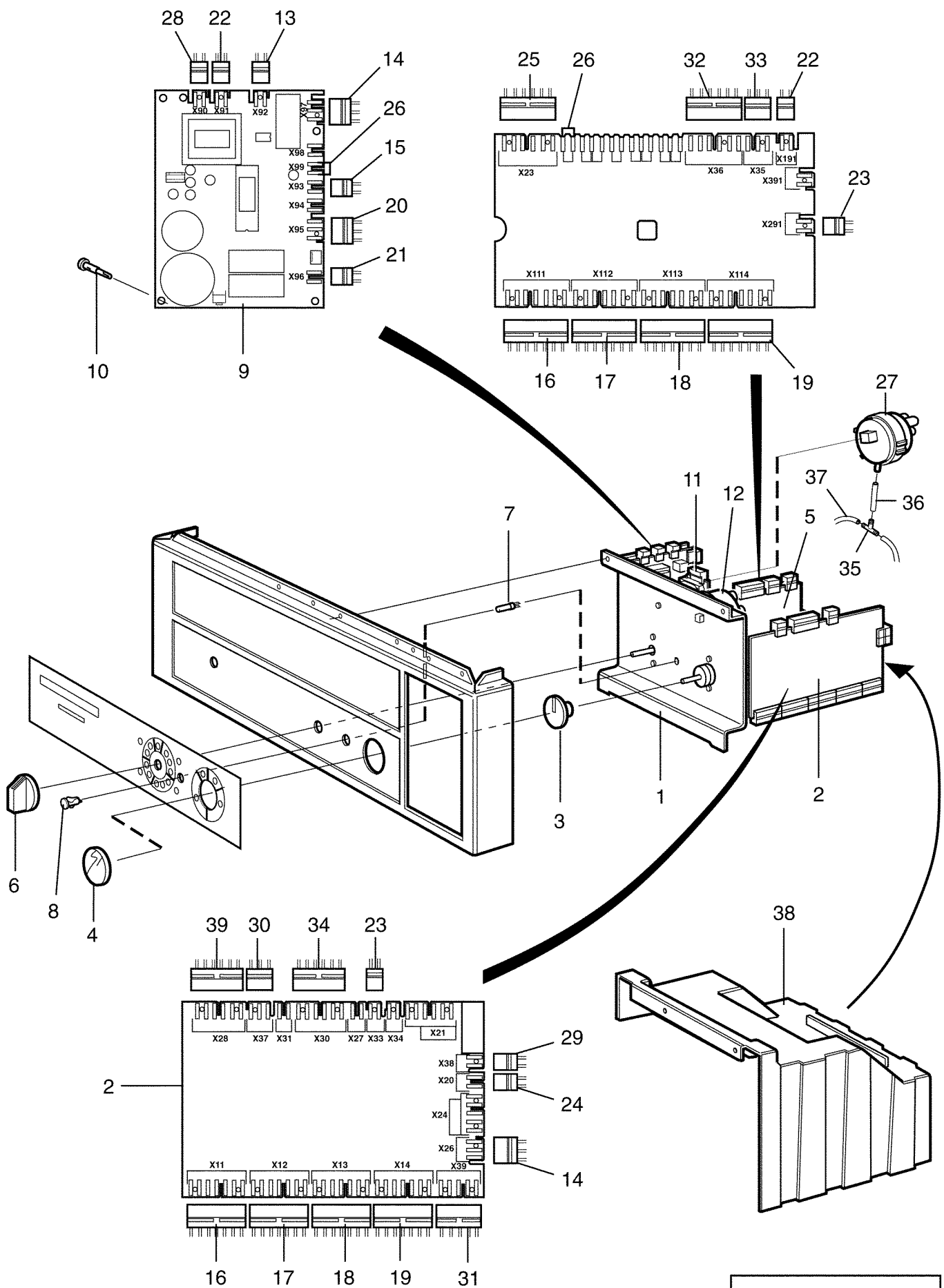


FAG3330N,W3330N**Electrical components Clarus**

Illustration	Issue	Month	Year
Illustration	Utgåva	Månad	År
102126/1	5	8	2006

Eldetaljer Clarus

Item Pos.	Qua Ant.	Art.No Art.nr	Description	Benämning	Info Info	Notes Anmärkning
30	1	432 3082-47	Cable set	Ledningssats	3	X90-X45 -795/4624
	1	432 3092-47	Cable set	Ledningssats	3	795/4625-
31	1	432 3182-20	Cable set	Ledningssats	3	X94-X304 -795/4624
	1	432 3192-20	Cable set	Ledningssats	3	795/4625-
32	1	432 3182-93	Cable set	Ledningssats	3	X93
33	1	432 3082-56	Cable set	Ledningssats	3	X13-X12 -795/4624
	1	432 3092-56	Cable set	Ledningssats	3	795/4625-
34	1	432 3083-30	Cable set	Ledningssats	3	A11X7-X49 -795/4624
	1	432 3093-30	Cable set	Ledningssats	3	795/4625-
35	1	432 3082-15	Cable set	Ledningssats	3	A11X8-X47 -795/4624
	1	432 3092-15	Cable set	Ledningssats	3	795/4625-
36	1	432 3087-20	Cable set	Ledningssats	3	A11X9-X48 -795/4624
	1	432 3097-20	Cable set	Ledningssats	3	795/4625-
37	1	432 3082-51	Cable set	Ledningssats	3	A11X10-X302 -795/4624
	1	432 3092-51	Cable set	Ledningssats	3	795/4625-
38	1	432 3082-43	Cable set	Ledningssats	3	A11X11-X42 -795/4624
	1	432 3092-43	Cable set	Ledningssats	3	795/4625-
39	1	432 3085-25	Cable set	Ledningssats	3	A11X14-X43 -795/4624
	1	432 3095-25	Cable set	Ledningssats	3	795/4625-
40	1	432 3084-16	Cable set	Ledningssats	3	A11X15-X41 -795/4624
	1	432 3094-16	Cable set	Ledningssats	3	795/4625-
41	1	432 3082-19	Cable set	Ledningssats	3	A11X16:3-X40 -795/4624
	1	432 3092-19	Cable set	Ledningssats	3	795/4625-
42	4	438 0299-01	Spacer	Distans	3	
43	1	432 3082-89	Cable set	Ledningssats	3	X96 -795/4624
	1	432 3092-89	Cable set	Ledningssats	3	795/4625-
44	1	432 3083-36	Cable set	Ledningssats	3	X95 -795/4624
	1	432 3093-36	Cable set	Ledningssats	3	795/4625-
45	1	432 3085-04	Cable set	Ledningssats	3	A11X1-A12X2 -795/4624
	1	432 3095-04	Cable set	Ledningssats	3	795/4625-
46	1	432 3082-16	Cable set	Ledningssats	3	A12X4-X63 -795/4624
	1	432 3092-16	Cable set	Ledningssats	3	795/4625-
47	1	432 3082-50	Cable set	Ledningssats	3	A12X6-X69 -795/4624
	1	432 3092-50	Cable set	Ledningssats	3	795/4625-
48	1	432 3083-32	Cable set	Ledningssats	3	A12X7-X66 -795/4624
	1	432 3093-32	Cable set	Ledningssats	3	795/4625-
49	1	432 3082-17	Cable set	Ledningssats	3	A12X8-X65 -795/4624
	1	432 3092-17	Cable set	Ledningssats	3	795/4625-
50	1	432 3088-32	Cable set	Ledningssats	3	A12X9-X62 -795/4624
	1	432 3098-32	Cable set	Ledningssats	3	795/4625-
51	1	432 3182-02	Cable set	Ledningssats	3	A11X11-A12X10 -795/4624
	1	432 3192-02	Cable set	Ledningssats	3	795/4625-
52	1	432 3085-27	Cable set	Ledningssats	3	A12X14-X61 -795/4624
	1	432 3095-27	Cable set	Ledningssats	3	795/4625-
53	1	432 3084-25	Cable set	Ledningssats	3	A12X15-X60 -795/4624
	1	432 3094-25	Cable set	Ledningssats	3	795/4625-

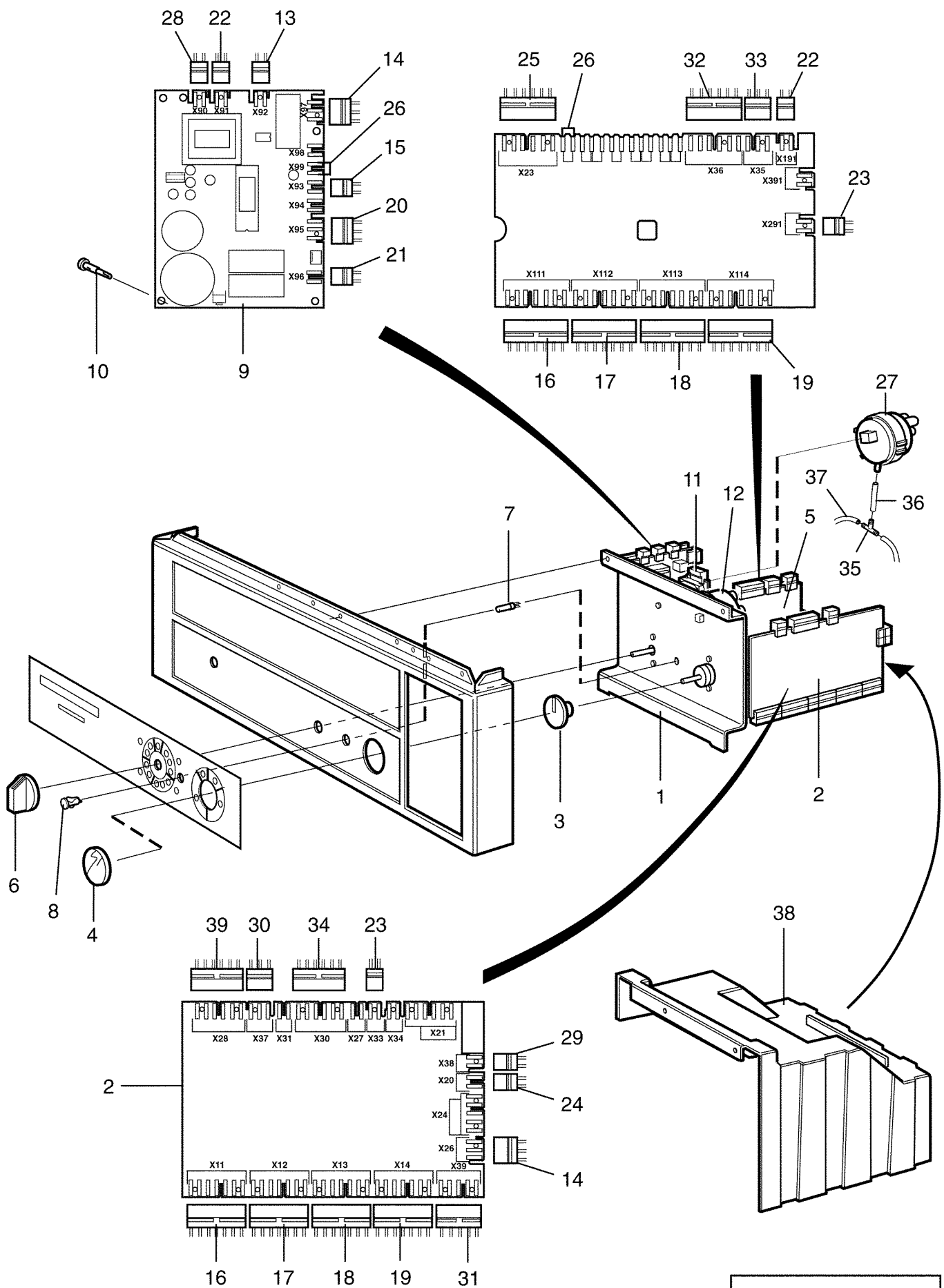


Issue	Month	Year
01	12	01

FAG3330N,W3330N**Electric components Classic OG01****Eldetaljer Classic OG01**

Illustration	Issue	Month	Year
Illustration	Utgåva	Månad	År
102117/1	2	9	2004

Item Pos.	Qua Ant.	Art.No Art.nr	Description	Benämning	Info Info	Notes Anmärkning
1	1	432 2168-01	Mounting plate	Fästplåt	3	
2	1	438 8981-03	Timer	Timer	1,2	230V 50Hz Complete
	1	438 8981-02	Timer	Timer	1,2	240V 60Hz Complete
	1	438 8981-01	Timer	Timer	1,2	110V 60Hz Complete
3	1	472 6082-02	Pointer	Visare	1,2	
4	1	438 0040-01	Safety glass	Skyddsglas	3	
5	1	438 9643-01	Rotary switch	Vridomkopplare	1,2	OG01 Complete
6	1	438 0076-02	Knob	Vred	1,2	
7	1	471 9652-02	Pilot lamp	Signallampa	1,2	230V
8	1	438 9650-01	Lens	Lins	3	
9	1	438 9555-11	Control unit	Styrenhet	1,2	230V
	1	438 9555-12	Control unit	Styrenhet	1,2	120V
10	4	471 7958-02	Support	Stöd	3	
11	1	438 8803-01	Thermostat	Termostat	1,2	
12	1	471 8859-14	Level guard	Nivåvakt	1,2	
13	1	432 3082-58	Cable set	Ledningssats	3	X31-X92 -795/4624
	1	432 3092-58	Cable set	Ledningssats	3	795/4625-
14	1	432 3083-13	Cable set	Ledningssats	3	X26-X97 -795/4624
	1	432 3093-13	Cable set	Ledningssats	3	795/4625-
15	1	432 3182-94	Cable set	Ledningssats	3	X93 -795/4624
	1	432 3092-94	Cable set	Ledningssats	3	795/4625-
16	1	432 3087-06	Cable set	Ledningssats	3	X11-X111 -795/4624
	1	432 3097-06	Cable set	Ledningssats	3	795/4625-
17	1	432 3087-07	Cable set	Ledningssats	3	X12-X112 -795/4624
	1	432 3097-07	Cable set	Ledningssats	3	795/4625-
18	1	432 3087-08	Cable set	Ledningssats	3	X13-X113 -795/4624
	1	432 3097-08	Cable set	Ledningssats	3	795/4625-
19	1	432 3087-09	Cable set	Ledningssats	3	X14-X114 -795/4624
	1	432 3097-09	Cable set	Ledningssats	3	795/4625-
20	1	432 3083-36	Cable set	Ledningssats	3	X95-X195 -795/4624
	1	432 3093-36	Cable set	Ledningssats	3	795/4625-
21	1	432 3082-99	Cable set	Ledningssats	3	X96 -795/4624
	1	432 3092-99	Cable set	Ledningssats	3	795/4625-
22	1	432 3082-52	Cable set	Ledningssats	3	X91-X191 -795/4624
	1	432 3092-52	Cable set	Ledningssats	3	795/4625-
23	1	432 3082-53	Cable set	Ledningssats	3	X291-X33 -795/4624
	1	432 3092-53	Cable set	Ledningssats	3	795/4625-
24	1	432 3082-65	Cable set	Ledningssats	3	X20 -795/4624
	1	432 3092-65	Cable set	Ledningssats	3	795/4625-
25	1	432 3086-14	Cable set	Ledningssats	3	X23-X123 -795/4624
	1	432 3096-14	Cable set	Ledningssats	3	795/4625-
26	1	472 9913-43	Clamp	Bygel	3	Kit 25 pcs
27	1	471 8861-01	Level guard	Nivåvakt	1,2	
28	1	432 3082-54	Cable set	Ledningssats	3	X90-X45 -795/4624
	1	432 3092-54	Cable set	Ledningssats	3	795/4625-
29	1	432 3082-46	Cable set	Ledningssats	3	X38-X42 -795/4624
	1	432 3092-46	Cable set	Ledningssats	3	795/4625-
30	1	432 3083-16	Cable set	Ledningssats	3	X37-X49 -795/4624
	1	432 3093-16	Cable set	Ledningssats	3	795/4625-
31	1	432 3085-31	Cable set	Ledningssats	3	X39-X43 -795/4624
	1	432 3095-31	Cable set	Ledningssats	3	795/4625-
32	1	432 3086-17	Cable set	Ledningssats	3	X36-X48 -795/4624
	1	432 3096-17	Cable set	Ledningssats	3	795/4625-
33	1	432 3083-82	Cable set	Ledningssats	3	X35-X47 -795/4624
	1	432 3093-82	Cable set	Ledningssats	3	795/4625-
34	1	432 3086-93	Cable set	Ledningssats	3	X30/11X5 -795/4624
	1	432 3096-93	Cable set	Ledningssats	3	795/4625-
35	1	471 2265-69	T-pipe	T-rör	3	
36	1	471 2440-36	Hose	Slang	1	L=90



Issue	Month	Year
01	12	01

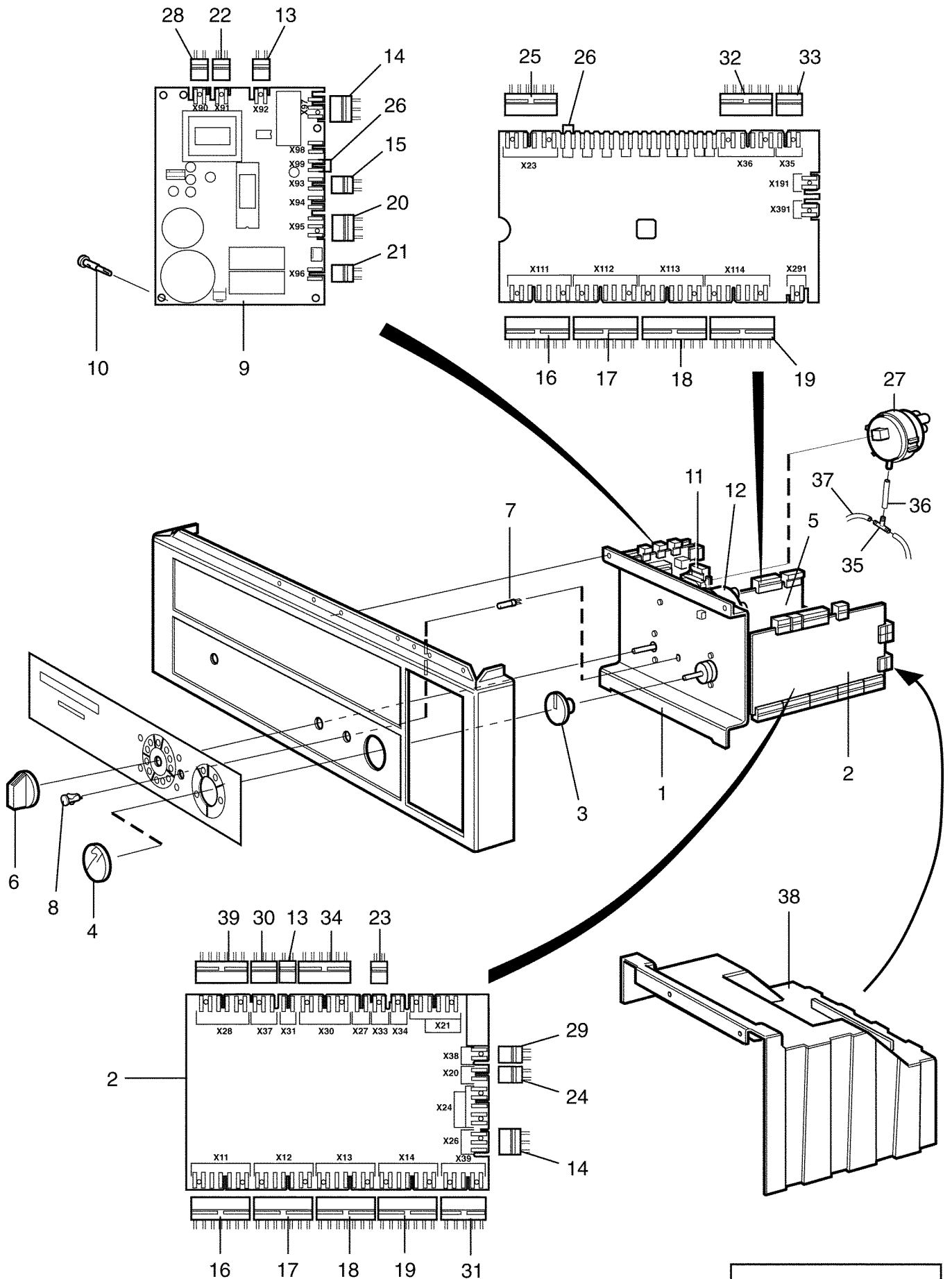
FAG3330N,W3330N

Electric components Classic OG01

Eldetaljer Classic OG01

Illustration	Issue	Month	Year
Illustration	Utgåva	Månad	År
102117/1	2	9	2004

Item Pos.	Qua Ant.	Art.No Art.nr	Description	Benämning	Info Info	Notes Anmärkning
37	1	471 2464-18	Hose	Slang	1	L=280
38	1	432 2171-01	Protective cover	Skyddskåpa	3	
39	1	432 3086-94	Cable set	Ledningsssats	3	X28 -795/4624
	1	432 3096-94	Cable set	Ledningsssats	3	795/4625-



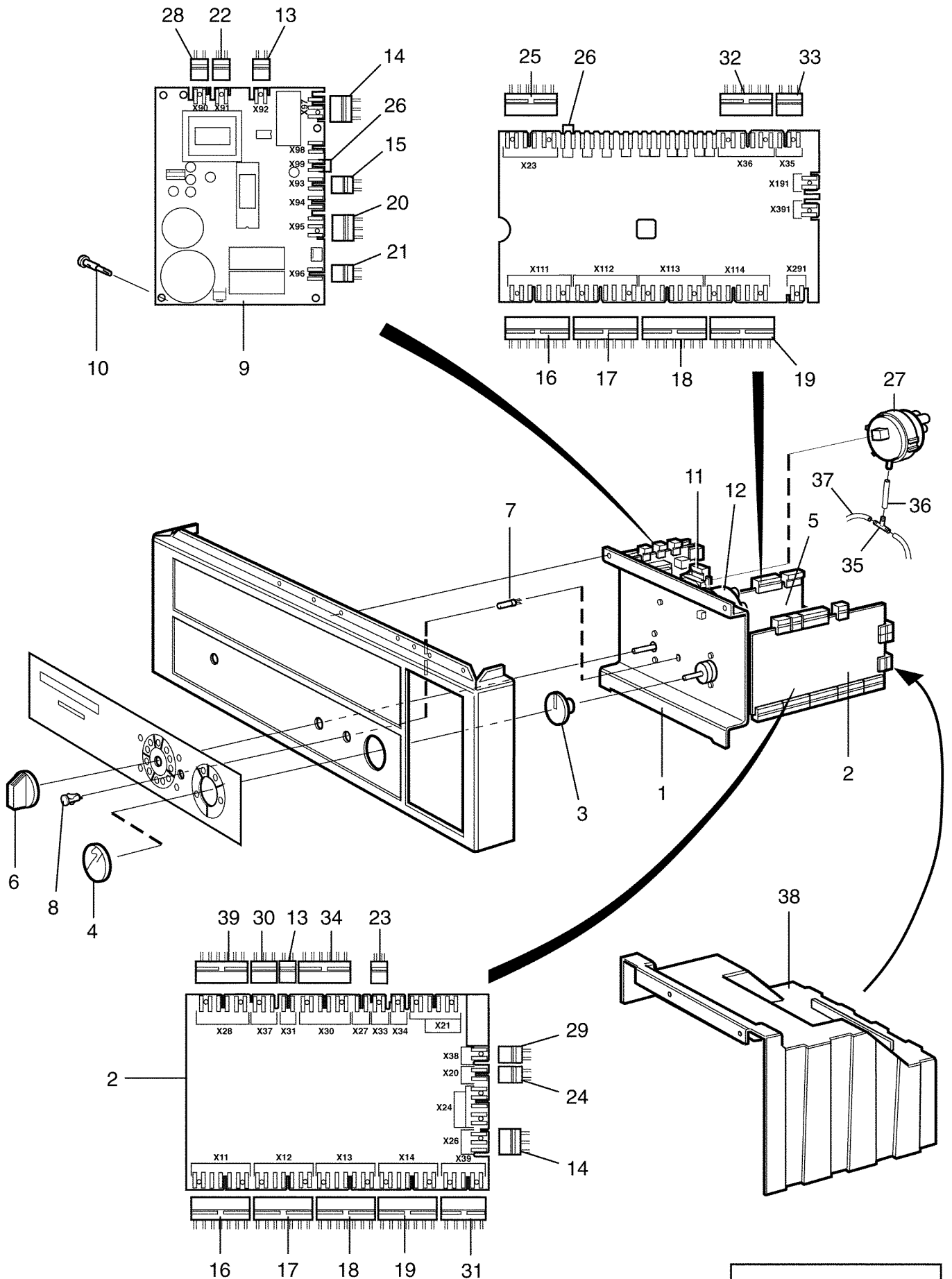
Issue	Month	Year
01	12	01

FAG3330N,W3330N**Electric components Classic OL02**

Illustration	Issue	Month	Year
Illustration	Utgåva	Månad	År
102118/1	1	12	2001

Eldetaljer Classic OL02

Item Pos.	Qua Ant.	Art.No Art.nr	Description	Benämning	Info Info	Notes Anmärkning
1	1	432 2168-01	Mounting plate	Fästplåt	3	
2	1	438 8981-03	Timer	Timer	1,2	230V 50Hz Complete
	1	438 8981-02	Timer	Timer	1,2	240V 60Hz Complete
	1	438 8981-01	Timer	Timer	1,2	110V 60Hz Complete
3	1	472 6082-02	Pointer	Visare	1,2	
4	1	438 0040-01	Safety glass	Skyddsglas	3	
5	1	438 9644-01	Rotary switch	Vridomkopplare	1,2	OL02 Complete
6	1	438 0076-02	Knob	Vred	1,2	
7	1	471 9652-02	Pilot lamp	Signallampa	1,2	230V
8	1	438 9650-01	Lens	Lins	3	
9	1	438 9555-11	Control unit	Styrenhet	1,2	230V
	1	438 9555-12	Control unit	Styrenhet	1,2	120V
10	4	471 7958-02	Support	Stöd	3	
11	1	438 8803-01	Thermostat	Termostat	1,2	
12	1	471 8859-14	Level guard	Nivåvakt	1,2	
13	1	432 3082-58	Cable set	Ledningssats	3	X31-X92 -795/4624
	1	432 3092-58	Cable set	Ledningssats	3	795/4625-
14	1	432 3083-13	Cable set	Ledningssats	3	X26-X97 -795/4624
	1	432 3093-13	Cable set	Ledningssats	3	795/4625-
15	1	432 3182-94	Cable set	Ledningssats	3	X93 -795/4624
	1	432 3192-94	Cable set	Ledningssats	3	795/4625-
16	1	432 3087-06	Cable set	Ledningssats	3	X11-X111 -795/4624
	1	432 3097-06	Cable set	Ledningssats	3	795/4625-
17	1	432 3087-07	Cable set	Ledningssats	3	X12-X112 -795/4624
	1	432 3097-07	Cable set	Ledningssats	3	795/4625-
18	1	432 3087-08	Cable set	Ledningssats	3	X13-X113 -795/4624
	1	432 3097-08	Cable set	Ledningssats	3	795/4625-
19	1	432 3087-09	Cable set	Ledningssats	3	X14-X114 -795/4624
	1	432 3097-09	Cable set	Ledningssats	3	795/4625-
20	1	432 3083-36	Cable set	Ledningssats	3	X95-X195 -795/4624
	1	432 3093-36	Cable set	Ledningssats	3	795/4625-
21	1	432 3082-99	Cable set	Ledningssats	3	X96 -795/4624
	1	432 3092-99	Cable set	Ledningssats	3	795/4625-
22	1	432 3082-52	Cable set	Ledningssats	3	X91-X191 -795/4624
	1	432 3092-52	Cable set	Ledningssats	3	795/4625-
23	1	432 3082-53	Cable set	Ledningssats	3	X291-X33 -795/4624
	1	432 3092-53	Cable set	Ledningssats	3	795/4625-
24	1	432 3082-65	Cable set	Ledningssats	3	X20 -795/4624
	1	432 3092-65	Cable set	Ledningssats	3	795/4625-
25	1	432 3086-14	Cable set	Ledningssats	3	X23-X123 -795/4624
	1	432 3096-14	Cable set	Ledningssats	3	795/4625-
26	Rq	472 9913-43	Clamp	Bygel	3	Kit 25 pcs
27	1	471 8861-01	Level guard	Nivåvakt	1,2	
28	1	432 3082-54	Cable set	Ledningssats	3	X90-X45 -795/4624
	1	432 3092-54	Cable set	Ledningssats	3	795/4625-
29	1	432 3082-46	Cable set	Ledningssats	3	X38-X42 -795/4624
	1	432 3092-46	Cable set	Ledningssats	3	795/4625-
30	1	432 3083-16	Cable set	Ledningssats	3	X37-X49 -795/4624
	1	432 3093-16	Cable set	Ledningssats	3	795/4625-
31	1	432 3085-31	Cable set	Ledningssats	3	X39-X43 -795/4624
	1	432 3095-31	Cable set	Ledningssats	3	795/4625-
32	1	432 3086-17	Cable set	Ledningssats	3	X36-X48 -795/4624
	1	432 3096-17	Cable set	Ledningssats	3	795/4625-
33	1	432 3083-82	Cable set	Ledningssats	3	X35-X47 -795/4624
	1	432 3093-82	Cable set	Ledningssats	3	795/4625-
34	1	432 3086-93	Cable set	Ledningssats	3	X30/11X5 -795/4624
	1	432 3096-93	Cable set	Ledningssats	3	795/4625-
35	1	471 2265-69	T-pipe	T-rör	3	
36	1	471 2440-36	Hose	Slang	1	L=90



Issue	Month	Year
01	12	01

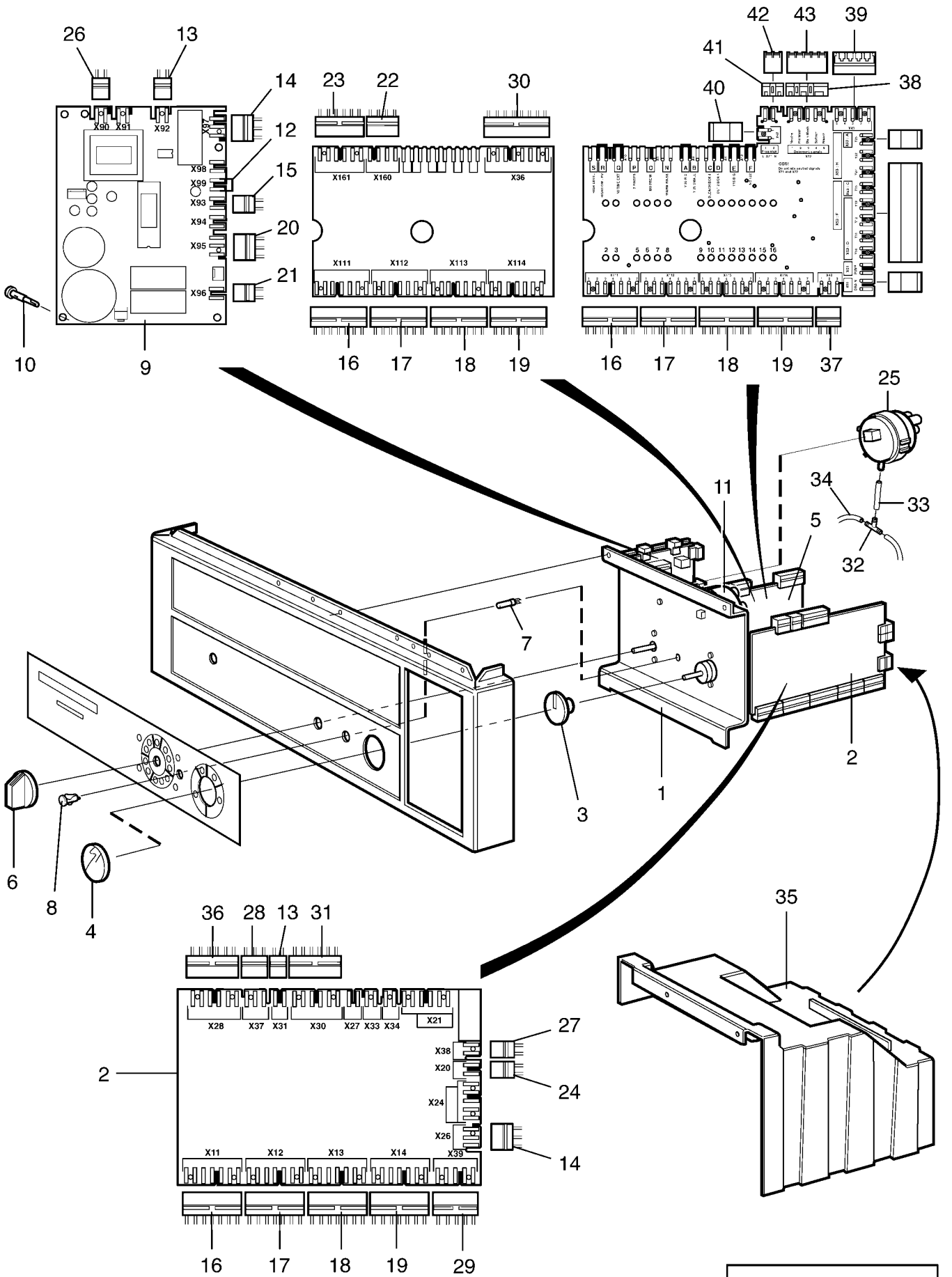
FAG3330N,W3330N

Electric components Classic OL02

Eldetaljer Classic OL02

Illustration	Issue	Month	Year
Illustration	Utgåva	Månad	År
102118/1	1	12	2001

Item Pos.	Qua Ant.	Art.No Art.nr	Description	Benämning	Info Info	Notes Anmärkning
37	1	471 2464-18	Hose	Slang	1	L=280
38	1	432 2171-01	Protective cover	Skyddskåpa	3	
39	1	432 3086-94	Cable set	Ledningsssats	3	X28 -795/4624
	1	432 3096-94	Cable set	Ledningsssats	3	795/4625-

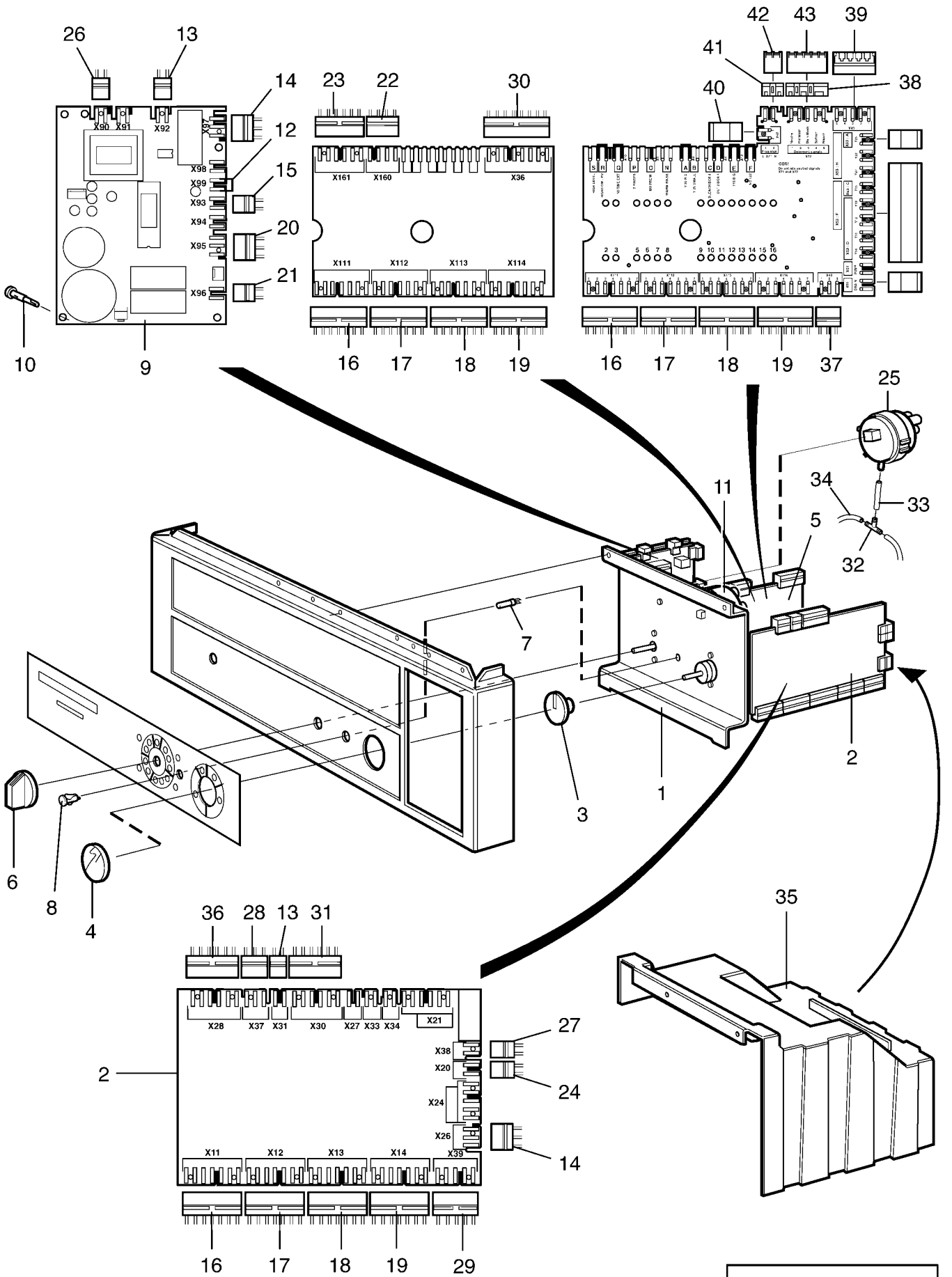


FAG3330N,W3330N**Electric components Classic OL03**

Illustration	Issue	Month	Year
Illustration	Utgåva	Månad	År
102119/1	2	6	2005

Eldetaljer Classic OL03

Item Pos.	Qua Ant.	Art.No Art.nr	Description	Benämning	Info Info	Notes Anmärkning
1	1	432 2168-01	Mounting plate	Fästplåt	3	
2	1	438 8981-03	Timer	Timer	1,2	230V 50Hz Complete
	1	438 8981-02	Timer	Timer	1,2	240V 60Hz Complete
	1	438 8981-01	Timer	Timer	1,2	110V 60Hz Complete
3	1	472 6082-02	Pointer	Visare	1,2	
4	1	438 0040-01	Safety glass	Skyddsglas	3	
5	1	438 9645-01	Rotary switch	Vridomkopplare	1,2	OL03 Complete -795/6075
	1	438 9642-01	Rotary switch	Vridomkopplare	1,2	795/6076-
6	1	438 0076-02	Knob	Vred	1,2	
7	1	471 9652-02	Pilot lamp	Signallampa	1,2	230V
	1	471 9652-01	Pilot lamp	Signallampa	1,2	110V
8	1	438 9650-01	Lens	Lins	3	
9	1	438 9555-11	Control unit	Styrenhet	1,2	230V
	1	438 9555-12	Control unit	Styrenhet	1,2	120V
10	4	471 7958-02	Support	Stöd	3	
11	1	471 8859-14	Level guard	Nivåvakt	1,2	
12	Er	472 9913-43	Clamp	Bygel	3	Kit 25 pcs
13	1	432 3082-58	Cable set	Ledningssats	3	X31-X92 -795/4624
	1	432 3092-58	Cable set	Ledningssats	3	795/4625-
14	1	432 3083-13	Cable set	Ledningssats	3	X26-X97 -795/4624
	1	432 3093-13	Cable set	Ledningssats	3	795/4625-
15	1	432 3182-94	Cable set	Ledningssats	3	X93 -795/4624
	1	432 3192-94	Cable set	Ledningssats	3	795/4625-
16	1	432 3087-06	Cable set	Ledningssats	3	X11-X111 -795/4624
	1	432 3097-06	Cable set	Ledningssats	3	795/4625-
17	1	432 3087-07	Cable set	Ledningssats	3	X12-X112 -795/4624
	1	432 3097-07	Cable set	Ledningssats	3	795/4625-
18	1	432 3087-08	Cable set	Ledningssats	3	X13-X113 -795/4624
	1	432 3097-08	Cable set	Ledningssats	3	795/4625-
19	1	432 3087-09	Cable set	Ledningssats	3	X14-X114 -795/4624
	1	432 3097-09	Cable set	Ledningssats	3	795/4625-
20	1	432 3083-36	Cable set	Ledningssats	3	X95-X195 -795/4624
	1	432 3093-36	Cable set	Ledningssats	3	795/4625-
21	1	432 3082-99	Cable set	Ledningssats	3	X96 -795/4624
	1	432 3092-99	Cable set	Ledningssats	3	795/4625-
22	1	432 3084-29	Cable set	Ledningssats	3	X160-X260 -795/4624
	1	432 3094-29	Cable set	Ledningssats	3	795/4625-6075
23	1	432 3086-13	Cable set	Ledningssats	3	X161-X261 795/4625-6075
	1	432 3096-13	Cable set	Ledningssats	3	795/4625-
24	1	432 3082-65	Cable set	Ledningssats	3	X20 -795/4624
	1	432 3092-65	Cable set	Ledningssats	3	795/4625-
25	1	471 8861-01	Level guard	Nivåvakt	1,2	
26	1	432 3082-54	Cable set	Ledningssats	3	X90-X45 -795/4624
	1	432 3092-54	Cable set	Ledningssats	3	795/4625-
27	1	432 3082-46	Cable set	Ledningssats	3	X38-X42 -795/4624
	1	432 3082-46	Cable set	Ledningssats	3	795/4625-
28	1	432 3083-16	Cable set	Ledningssats	3	X37-X49 -795/4624
	1	432 3093-16	Cable set	Ledningssats	3	795/4625-
29	1	432 3085-31	Cable set	Ledningssats	3	X39-X43 -795/4624
	1	432 3095-31	Cable set	Ledningssats	3	795/4625-
30	1	432 3088-31	Cable set	Ledningssats	3	X36-X48 -795/4624
	1	432 3098-31	Cable set	Ledningssats	3	795/4625-6075
31	1	432 3086-93	Cable set	Ledningssats	3	X30/11X5 -795/4624
	1	432 3096-93	Cable set	Ledningssats	3	795/4625-
32	1	471 2265-69	T-pipe	T-rör	3	
33	1	471 2440-36	Hose	Slang	1	L=90
34	1	471 2464-18	Hose	Slang	1	L=280
35	1	432 2171-01	Protective cover	Skyddskåpa	3	
36	1	432 3086-94	Cable set	Ledningssats	3	X28 -795/4624



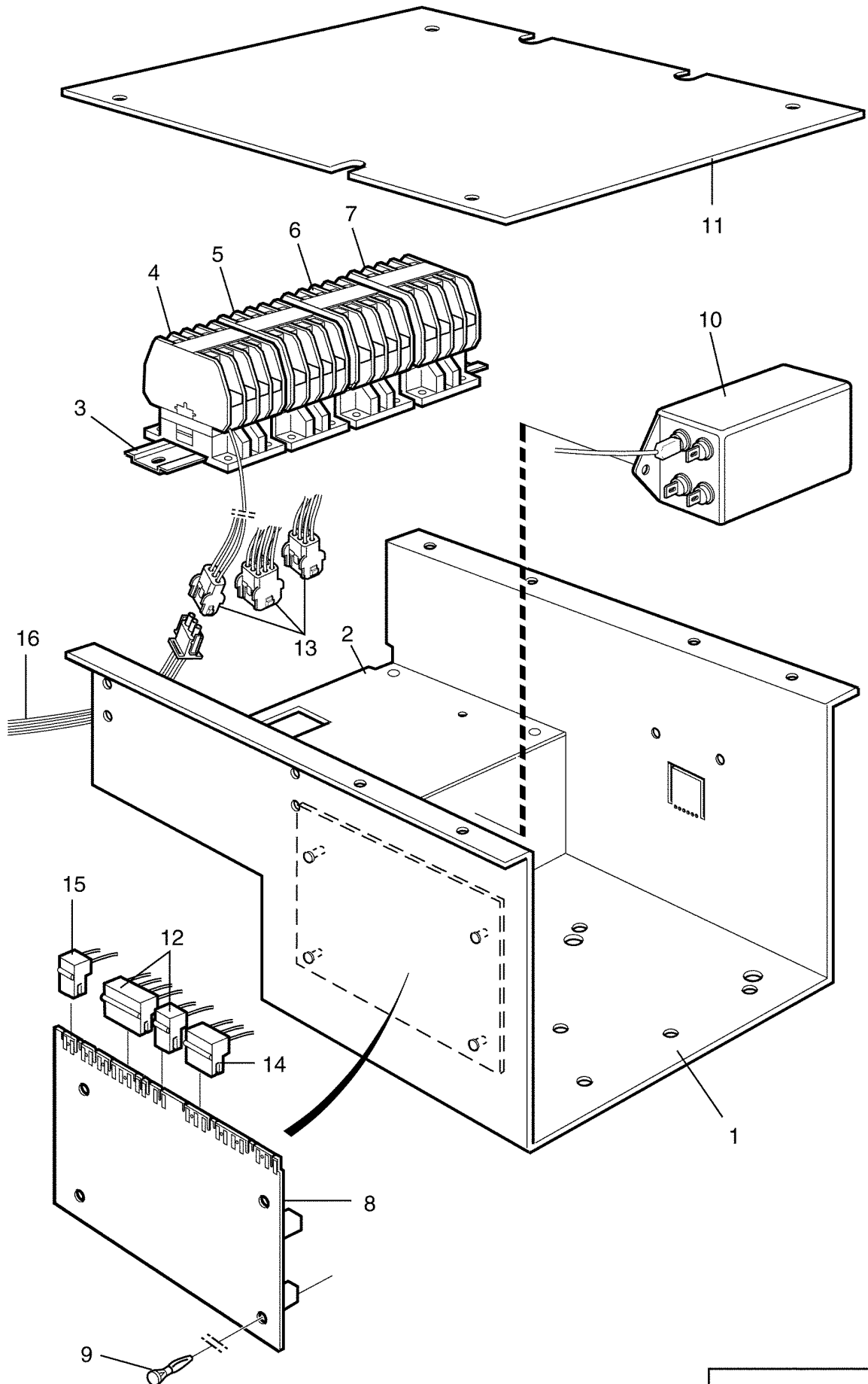
FAG3330N,W3330N

Electric components Classic OL03

Eldetaljer Classic OL03

Illustration	Issue	Month	Year
Illustration	Utgåva	Månad	År
102119/1	2	6	2005

Item Pos.	Qua Ant.	Art.No Art.nr	Description	Benämning	Info Info	Notes Anmärkning
37	1	432 3096-94	Cable set	Ledningssats	3	795/4625-
38	1	432 3093-01	Cable set	Ledningssats	3	795/6076-
39	1	438 8701-06	Multistik	Kantanslutning	1	795/6076-
40	1	432 3093-01	Cable set	Ledningssats	3	795/6076-
41	1	432 3095-05	Cable set	Ledningssats	3	795/6076-
42	1	438 8701-04	Frame	Ram	3	795/6076-
43	1	438 8701-03	Multistik	Kantanslutning	1	795/6076-
	1	438 8701-05	Multistik	Kantanslutning	1	795/6076-



Issue	Month	Year
02	05	03

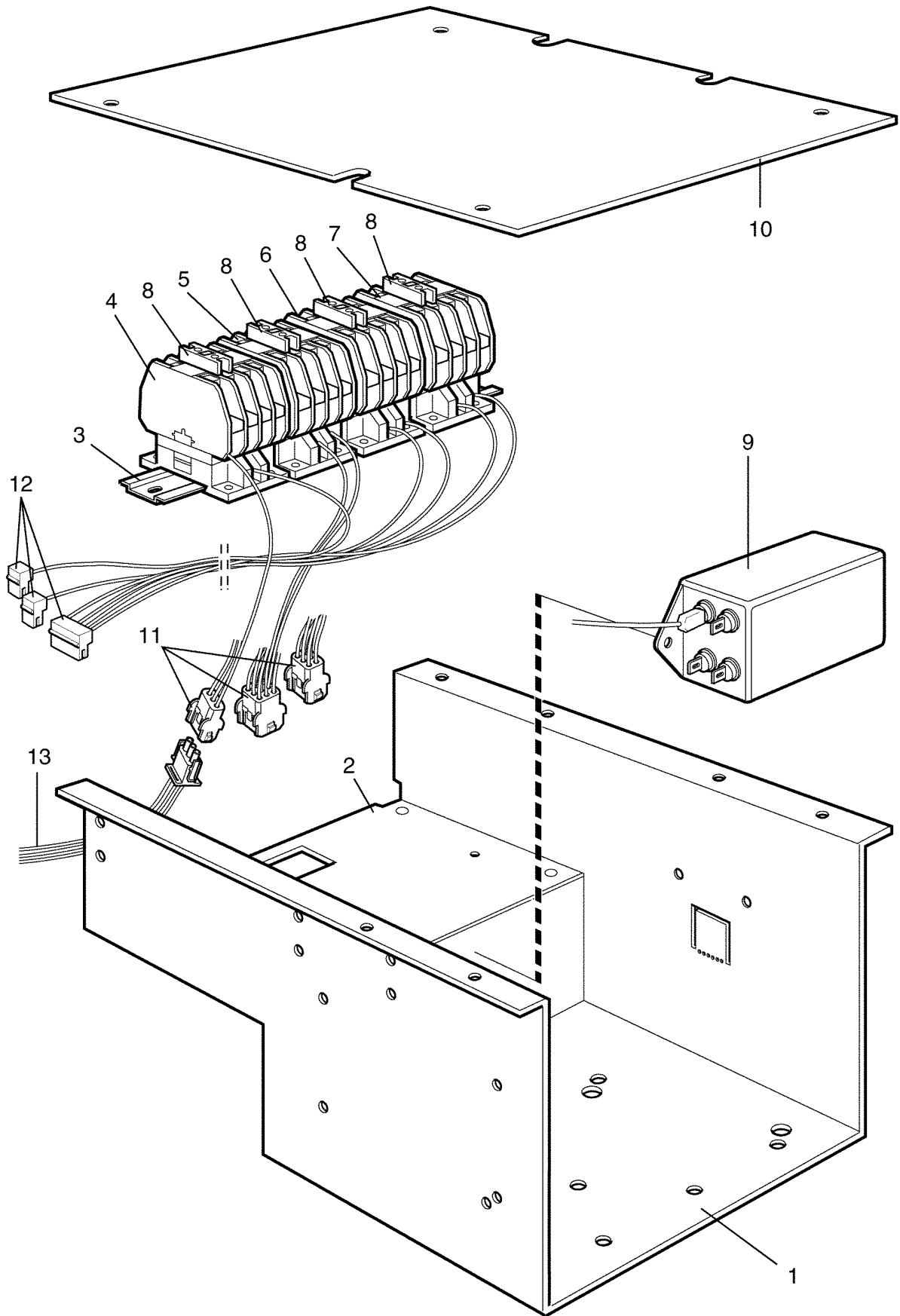
FAG3330N,W3330N

Electric components 3AC

Elkomponenter 3AC

Illustration Issue Month Year
Illustration Utgåva Månad År
101988/2 2 5 2003

Item Pos.	Qua Ant.	Art.No Art.nr	Description	Benämning	Info Info	Notes Anmärkning
1	1	432 2169-01	Component plate	Komponentplåt	3	
2	1	432 2196-01	Mounting plate	Monteringsplåt	3	
3	1	471 7182-26	Rail	Skena	3	
4	1	438 9636-02	Contactor	Kontaktor	1,2	50Hz
	1	438 9636-03	Contactor	Kontaktor	1,2	60Hz
5	1	438 9636-02	Contactor	Kontaktor	1,2	50Hz
	1	438 9636-03	Contactor	Kontaktor	1,2	60Hz
6	1	438 9636-02	Contactor	Kontaktor	1,2	50Hz
	1	438 9636-03	Contactor	Kontaktor	1,2	60Hz
7	1	438 9636-02	Contactor	Kontaktor	1,2	50Hz
	1	438 9636-03	Contactor	Kontaktor	1,2	60Hz
8	1	471 8992-13	Printed circuit board	Kretskort	1,2	RDC
9	4	471 7958-02	Support	Stöd	3	
10	1	471 9529-05	LC-filter	LC-filter	1	
11	1	432 2172-01	Cover	Lock	3	
12	1	432 2971-02	Cable set	Ledningssats	3	RDC -795/4624
	1	432 3071-02	Cable set	Ledningssats	3	795/4625-
13	1	432 2965-01	Cable set	Ledningssats	3	With filter
	1	432 2965-02	Cable set	Ledningssats	3	Without filter USA
14	1	432 3182-30	Cable set	Ledningssats	3	X97-X295 -795/4624
	1	432 3192-30	Cable set	Ledningssats	3	795/4625-
15	1	432 3082-37	Cable set	Ledningssats	3	X278-X45 -795/4624
	1	432 3092-37	Cable set	Ledningssats	3	795/4625-
16	1	432 2961-02	Cable set	Ledningssats	3	3AC X1-X311, Terminal block
	1	432 2961-01	Cable set	Ledningssats	3	3AC X1-X311, Main switch

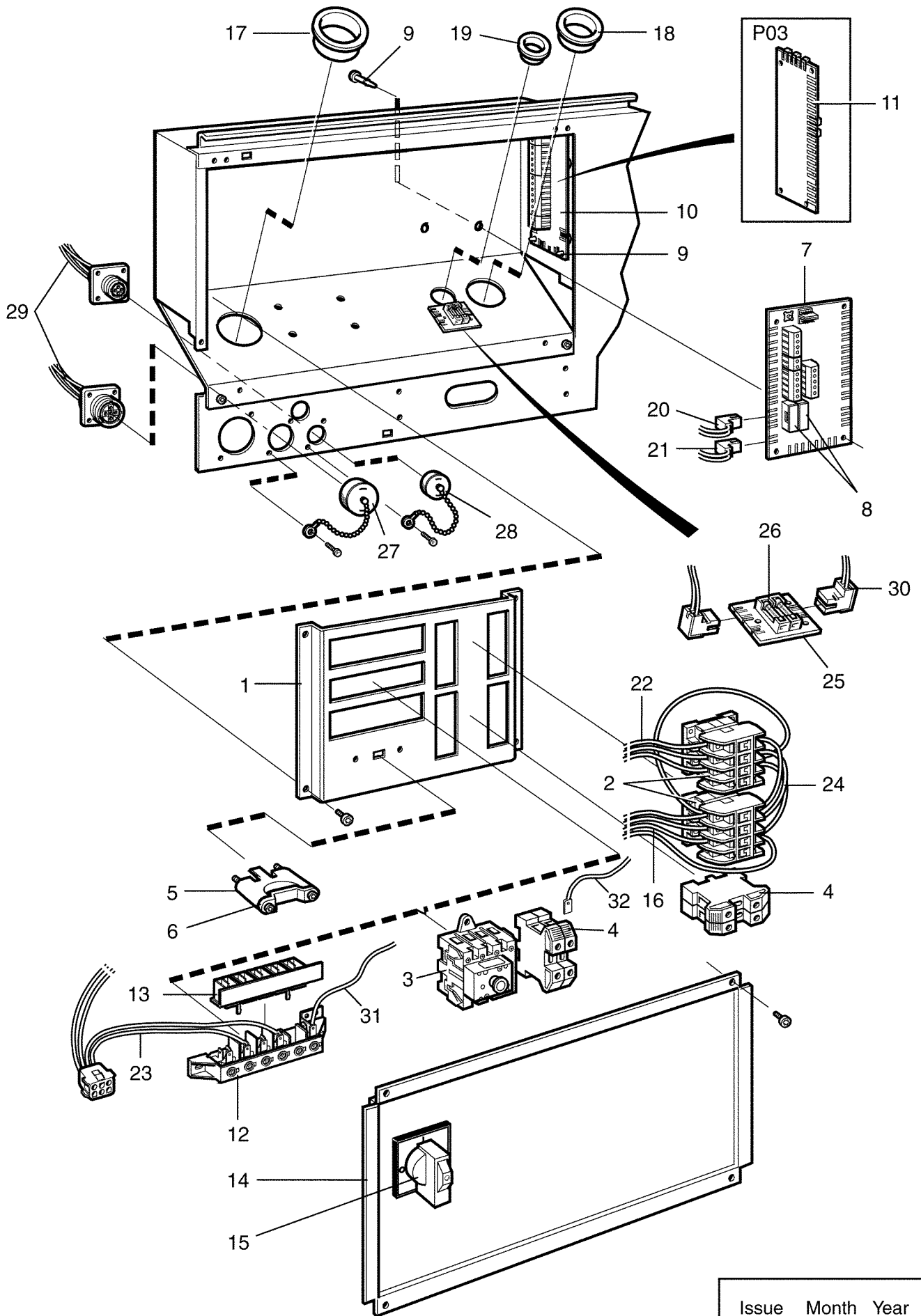


Issue	Month	Year
02	05	03

FAG3330N,W3330N**Electric components Classic 3AC****Elkomponenter Classic 3AC**

Illustration	Issue	Month	Year
Illustration	Utgåva	Månad	År
101989/2	2	5	2003

Item Pos.	Qua Ant.	Art.No Art.nr	Description	Benämning	Info Info	Notes Anmärkning
1	1	432 2169-01	Component plate	Komponentplåt	3	
2	1	432 2196-01	Mounting plate	Monteringsplåt	3	
3	1	471 7182-26	Rail	Skena	3	
4	1	438 9636-02	Contactor	Kontaktor	1,2	50Hz
	1	438 9636-03	Contactor	Kontaktor	1,2	60Hz
5	1	438 9636-02	Contactor	Kontaktor	1,2	50Hz
	1	438 9636-03	Contactor	Kontaktor	1,2	60Hz
6	1	438 9636-02	Contactor	Kontaktor	1,2	50Hz
	1	438 9636-03	Contactor	Kontaktor	1,2	60Hz
7	1	438 9636-02	Contactor	Kontaktor	1,2	50Hz
	1	438 9636-03	Contactor	Kontaktor	1,2	60Hz
8	4	767 5101-92	Auxiliary contact	Hjälpkontakt	1	HN10 Green
9	1	471 9529-05	LC-filter	LC-filter	1	
10	1	432 2172-01	Cover	Lock	3	
11	1	432 2965-01	Cable set	Ledningssats	3	With filter
	1	432 2965-02	Cable set	Ledningssats	3	Without filter USA
12	1	432 2972-02	Cable set	Ledningssats	3	-795/4624
	1	432 3072-02	Cable set	Ledningssats	3	795/4625-
13	1	432 2961-02	Cable set	Ledningssats	3	3AC X1-X311, Terminal block
	1	432 2961-01	Cable set	Ledningssats	3	3AC X1-X311, Main switch



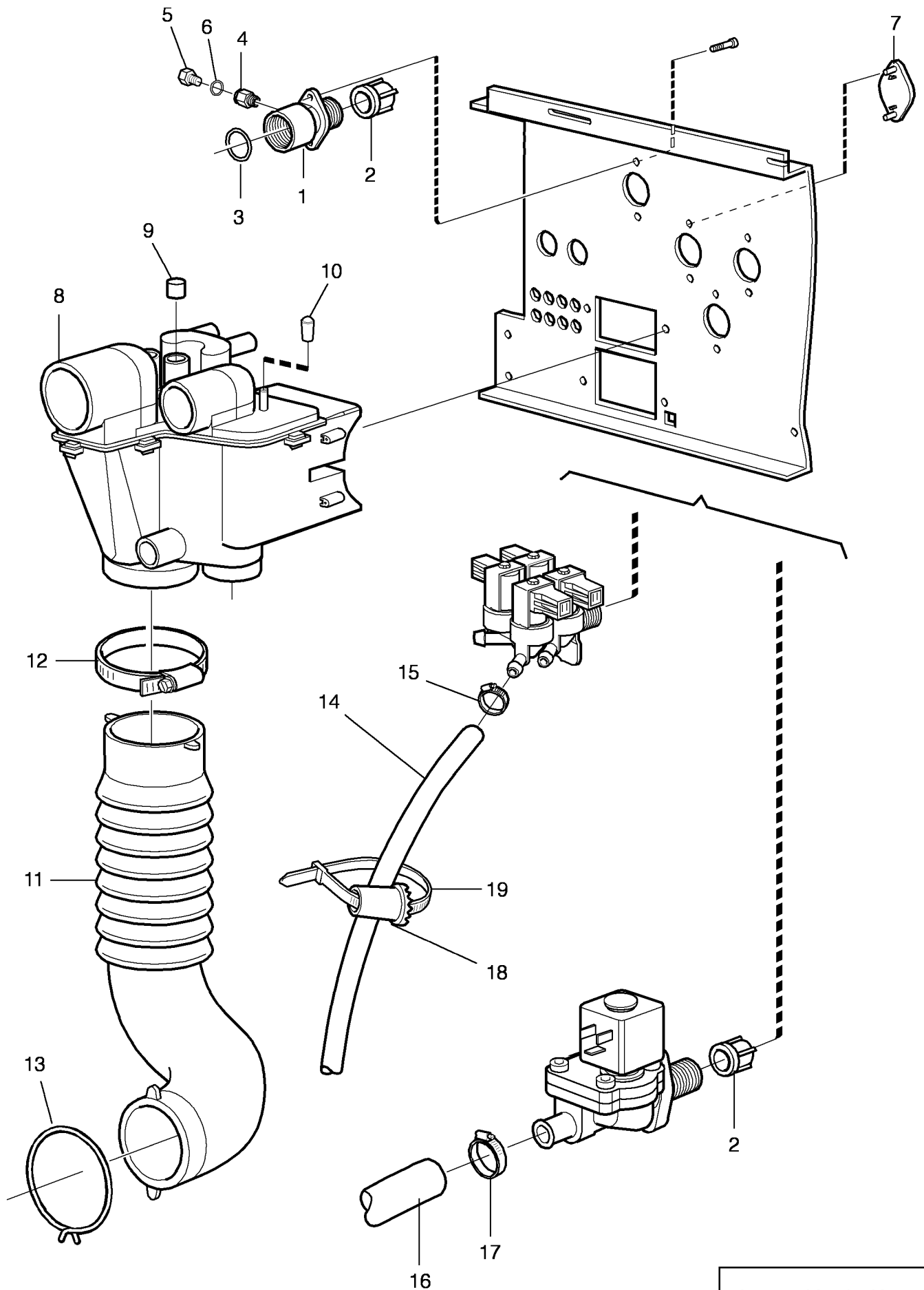
Issue	Month	Year
01	12	01

FAG3330N,W3330N**Electric components connection**

Illustration	Issue	Month	Year
Illustration	Utgåva	Månad	År
102121/1	5	2	2006

Eldetaljer anslutning

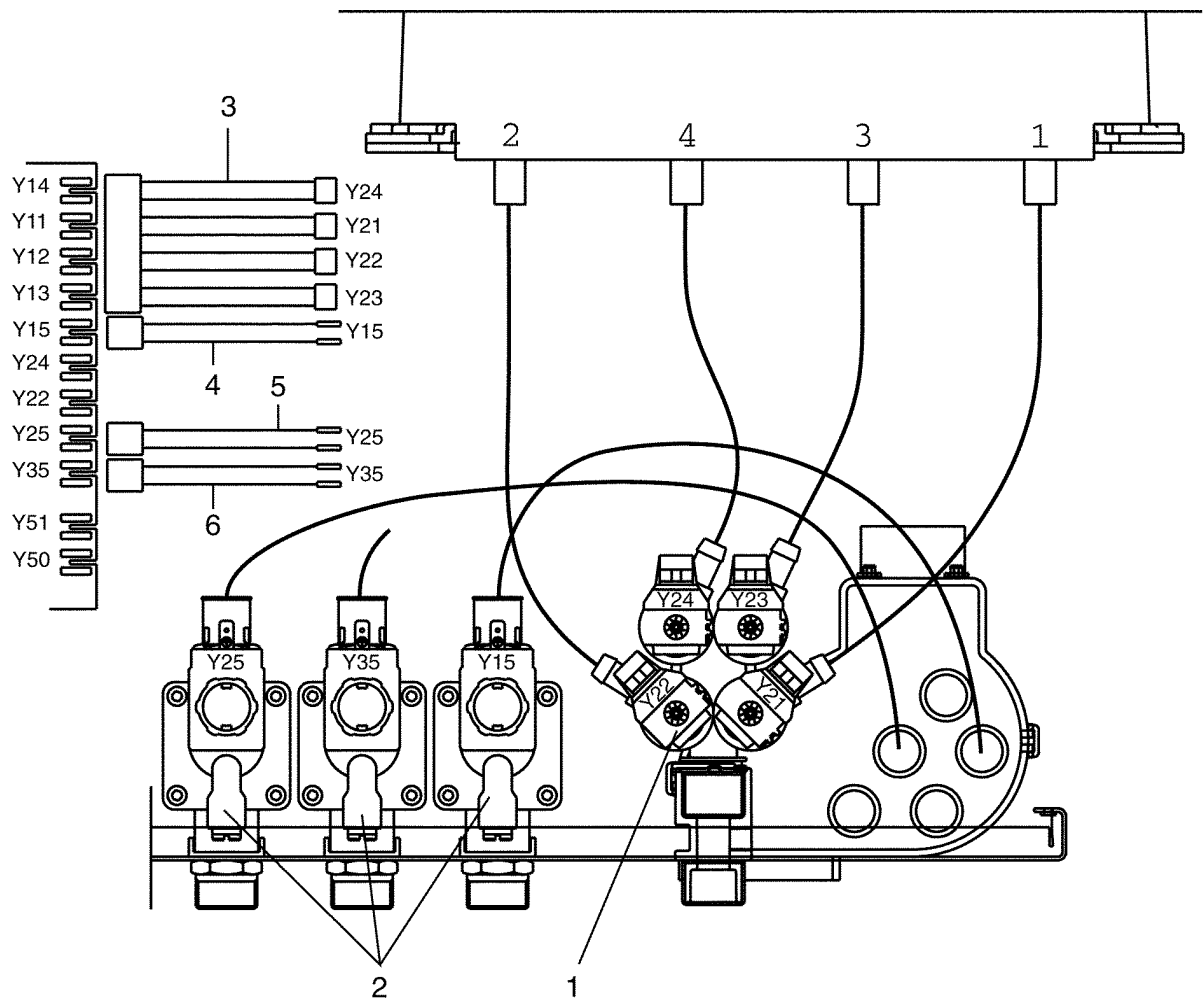
Item Pos.	Qua Ant.	Art.No Art.nr	Description	Benämning	Info Info	Notes Anmärkning
1	1	432 2154-01	Mounting plate	Monteringsplåt	3	
2	2	438 9636-22	Contactora	Kontaktor	1,2	50Hz
	2	438 9636-23	Contactora	Kontaktor	1,2	60Hz
3	1	438 9670-02	Main switch	Huvudbrytare	1,2	3-pole, 40A
	1	438 9678-04	Main switch	Huvudbrytare	1	3-pole, 70A
	1	438 9678-12	Main switch	Huvudbrytare	1	4-pole, 40A
	1	438 9678-14	Main switch	Huvudbrytare	1	4-pole, 70A
4	2	471 8767-01	Block	Plint	3	
5	1	471 7859-12	Clamp	Klämma	3	Lower part
6	1	471 7859-16	Clamp	Klämma	3	Upper part
7	1	438 8785-02	Printed circuit board	Kretskort	1,2	Exacta
	1	438 8786-02	Printed circuit board	Kretskort	1,2	Clarus
	1	438 8788-01	Printed circuit board	Kretskort	1,2	Classic OG01, OL02, OL03
8	2	471 8750-11	•Fuse	•Säkring	1,2	1,25A
9	Rq	471 7958-02	Support	Stöd	3	
10	1	438 8787-01	Printed circuit board	Kretskort	1,2	Clarus
11	1	438 8789-01	Printed circuit board	Kretskort	1,2	Classic OL03
12	1	471 8759-01	Block	Plint	3	
13	1	471 8759-51	Cover	Kåpa	3	
14	1	432 2156-11	Cover	Lock	3	With hole
	1	432 2156-12	Cover	Lock	3	Without hole
15	1	471 9678-94	Knob	Vred	1	
16	3	432 2954-03	Cable set	Ledningssats	3	415/240V 3/1AC
	3	432 2954-04	Cable set	Ledningssats	3	230V
17	1	762 1215-10	Grommet	Genomföring	3	Ø48/35mm
18	1	762 1215-10	Grommet	Genomföring	3	Ø48/35mm
19	1	762 1182-10	Grommet	Genomföring	3	Ø22,2MM
20	1	432 3082-86	Cable set	Ledningssats	3	X44-L1, N/L2 -795/4624
	1	432 3092-86	Cable set	Ledningssats	3	795/4625-
21	1	432 3182-52	Cable set	Ledningssats	3	X46 -795/4624
	1	432 3192-52	Cable set	Ledningssats	3	795/4625-
22	3	432 2954-13	Cable set	Ledningssats	3	230V
	3	432 2954-14	Cable set	Ledningssats	3	400V
23	1	432 2986-01	Cable set	Ledningssats	3	-795/4624
	1	432 2996-01	Cable set	Ledningssats	3	795/4625-
24	2	432 2984-01	Cable set	Ledningssats	3	
25	1	438 8797-01	Printed circuit board	Kretskort	1,2	
26	2	471 8750-11	•Fuse	•Säkring	1,2	1,25A
27	1	438 7950-02	Cover washer	Täckbricka	3	14-pole
28	1	438 7950-01	Cover washer	Täckbricka	3	4-pole
29	1	432 2945-01	Cable set	Ledningssats	3	
30	1	432 3082-25	Cable set	Ledningssats	3	X44-X144 -795/4624
	1	432 3092-25	Cable set	Ledningssats	3	795/4625-
31	1	432 2982-02	Cable set	Ledningssats	3	Ground
32	1	432 2983-02	Cable set	Ledningssats	3	Main switch Ground



FAG3330N,W3330N**Water connections****Vattenanslutningar**

Illustration	Issue	Month	Year
Illustration	Utgåva	Månad	År
101790/3	5	7	2003

Item Pos.	Qua Ant.	Art.No Art.nr	Description	Benämning	Info Info	Notes Anmärkning
1	1	438 0056-03	Nipple	Nippel	3	Black, 3/4"
	1	438 0056-04	Nipple	Nippel	3	White, 3/4", USA
2	Rq	471 8693-21	Filter	Filter	3	
3	1	471 8199-01	Gasket	Packning	3	
4	1	471 8688-13	Nipple	Nippel	3	1/8"
5	1	741 5109-25	Plug	Propp	3	El-drain
6	1	740 4206-00	O-ring	O-ring	3	El-drain
7	Rq	472 6761-01	Cover washer	Täckbricka	3	
8	1	432 2301-01	Siphon breaker	Återsugningsskydd	3	
9	Rq	471 8175-01	Plug	Plugg	3	
10	1	471 8644-02	Plug	Propp	3	El-drain
11	1	432 2306-01	Hose	Slang	1	
12	1	736 2846-51	Hose clamp	Slangklämma	3	Ø73-83
13	1	471 7871-04	Hose clamp	Slangklämma	3	
14	Rq	877 5211-08	Hose	Slang	1	Per 1 m
15	Rq	736 2816-51	Hose clamp	Slangklämma	3	Ø13-19
16	Rq	432 2308-01	Hose	Slang	1	
17	Rq	736 2825-51	Hose clamp	Slangklämma	3	Ø32
18	1	471 4792-01	Tool	Verktyg	3	
19	1	762 9102-05	Cable tie	Buntband	3	



Issue	Month	Year
01	12	01

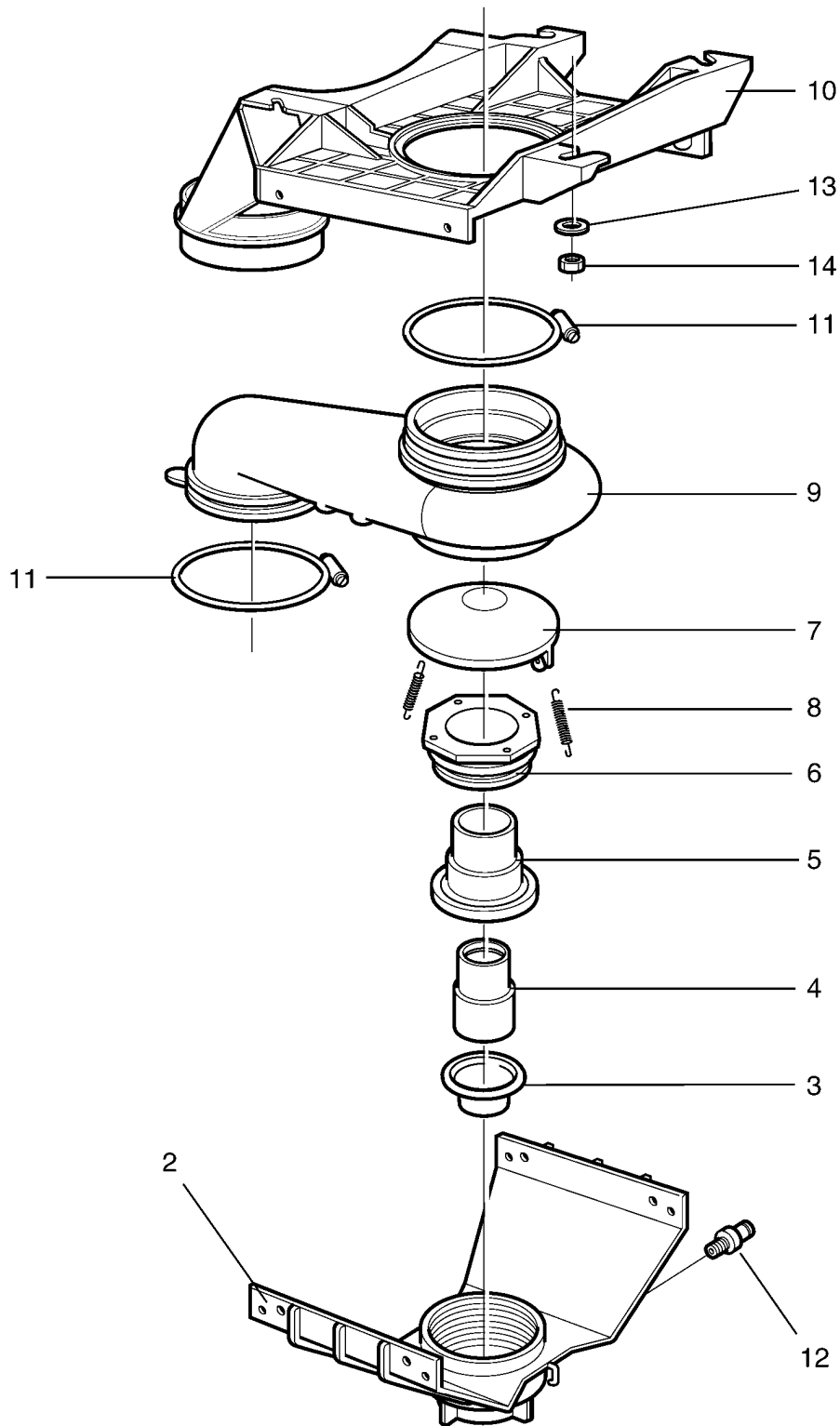
FAG3330N,W3330N**Inlet valves and cable set**

Illustration	Issue	Month	Year
Illustration	Utgåva	Månad	År
102122/1	2	9	2004

Inloppsventiler och ledningssatser

Item Pos.	Qua Ant.	Art.No Art.nr	Description	Benämning	Info Info	Notes Anmärkning
1	1	471 8240-63	Valve	Ventil	1,2	4-way
	1	471 8240-69	Valve	Ventil	1,2	60Hz 4-way USA
	1	471 6860-15	•Coil	•Spole	1,2	120V Green
	1	471 6860-16	•Coil	•Spole	1,2	120V Orange
	1	471 6860-17	•Coil	•Spole	1,2	120V White
	1	471 8240-90	•Coil	•Spole	1,2	120V Grey
	1	471 6860-18	•Coil	•Spole	1,2	208-240V Green
	1	471 6860-19	•Coil	•Spole	1,2	208-240V Orange
	1	471 6860-20	•Coil	•Spole	1,2	208-240V White
	1	471 8240-91	•Coil	•Spole	1,2	208-240V Grey
	2	3	471 8210-70	Valve	Ventil	1,2
3		471 8210-79	•Coil	•Spole	1,2	50/60 Hz
3		471 8210-71	Valve	Ventil	1,2	60Hz USA
3		471 8210-78	•Coil	•Spole	1,2	60Hz USA
3	1	432 3088-51	Cable set	Ledningssats	3	X53:D- -795/4624
	1	432 3098-51	Cable set	Ledningssats	3	795/4625-
4	1	432 3182-46	Cable set	Ledningssats	3	X53:C- -795/4624
	1	432 3192-46	Cable set	Ledningssats	3	795/4625-
5	1	432 3182-45	Cable set	Ledningssats	3	X53:A- -795/4624
	1	432 3192-45	Cable set	Ledningssats	3	795/4625-
6	1	432 3182-44	Cable set	Ledningssats	3	X52 -795/4624
	1	432 3192-44	Cable set	Ledningssats	3	795/4625-

1



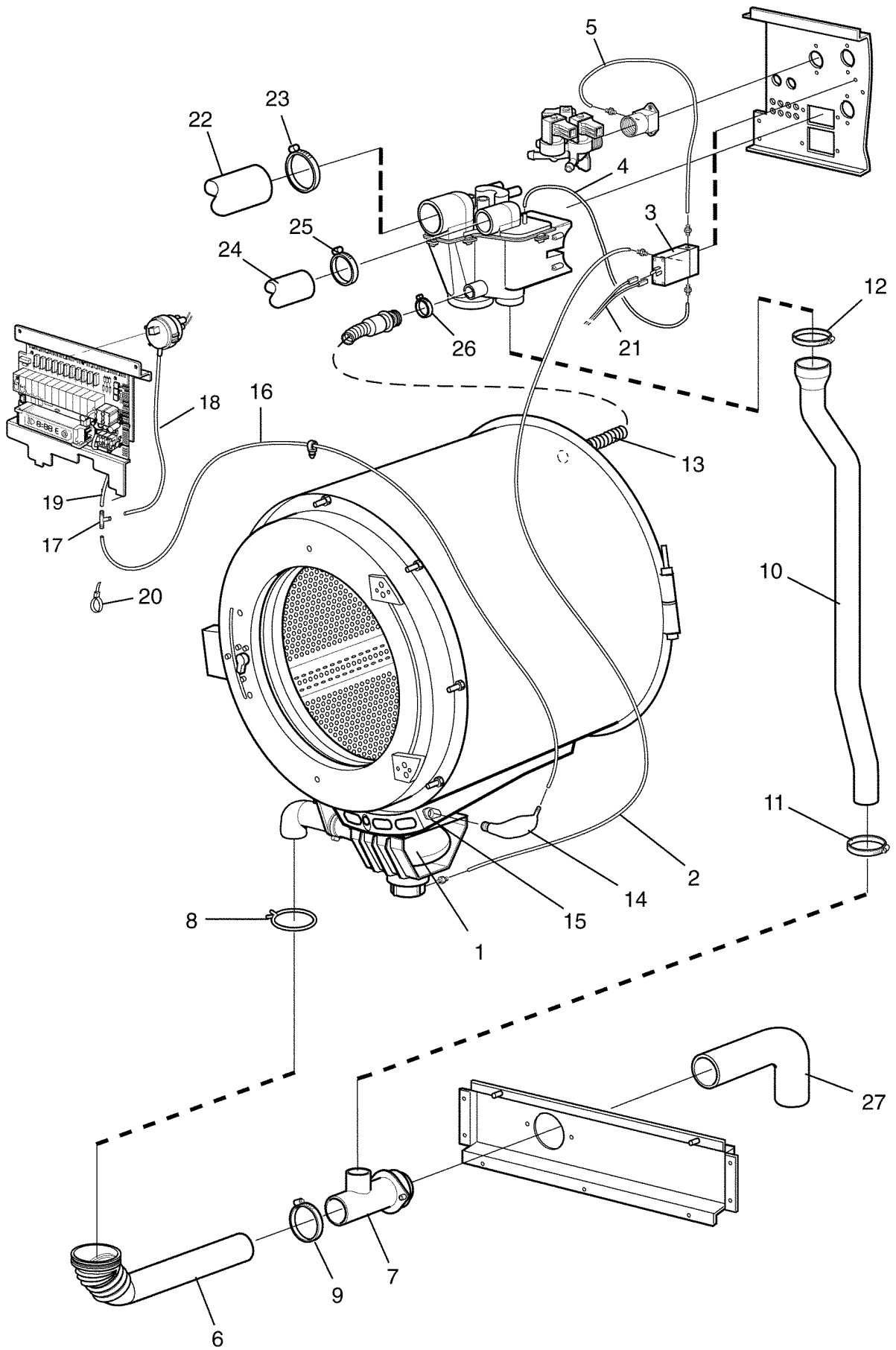
FAG3330N,W3330N

Drain valve

Avloppsventil

Illustration Issue Month Year
Illustration Utgåva Månad År
101772/4 3 3 2005

Item Pos.	Qua Ant.	Art.No Art.nr	Description	Benämning	Info Info	Notes Anmärkning
1	1	432 2502-01	Drain valve	Avloppsventil	1,2	
2	1	438 0051-01	•Lower frame	•Underdel	3	
3	1	471 8195-01	•Diaphragm	•Membran	1,2	
4	1	438 0054-01	•Piston	•Kolv	3	
5	1	438 0053-01	•Housing	•Hus	3	
6	1	438 0055-01	•Gland	•Gland	3	
7	1	438 0052-01	•Cover	•Lock	3	
8	2	471 7801-07	•Spring	•Fjäder	1	
9	1	432 2505-01	•Hose housing	•Slanghus	1,2	
10	1	432 2501-01	•Upper frame	•Överdel	3	
11	2	471 7871-04	•Hose clamp	•Slangklämma	3	
12	1	471 8688-13	•Nipple	•Nippel	1	1/8"
13	4	734 1153-09	Washer	Bricka	3	BRB 6,4X12
14	4	732 2116-42	Locking nut	Låsmutter	3	M6

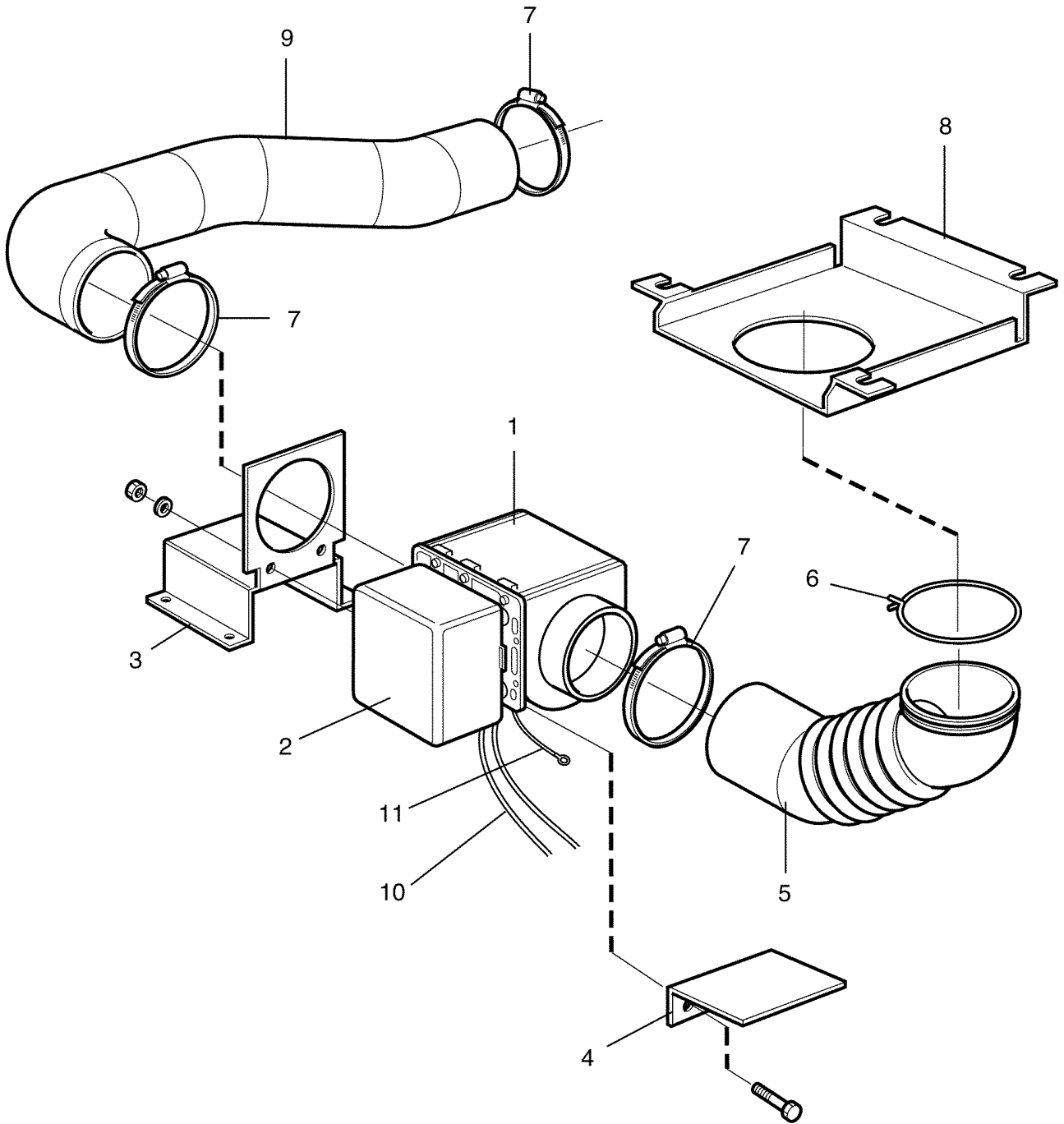


Issue	Month	Year
03	12	02

FAG3330N,W3330N**Drain valve and hoses****Avloppsventil och slangar**

Illustration	Issue	Month	Year
Illustration	Utgåva	Månad	År
101946/3	7	2	2006

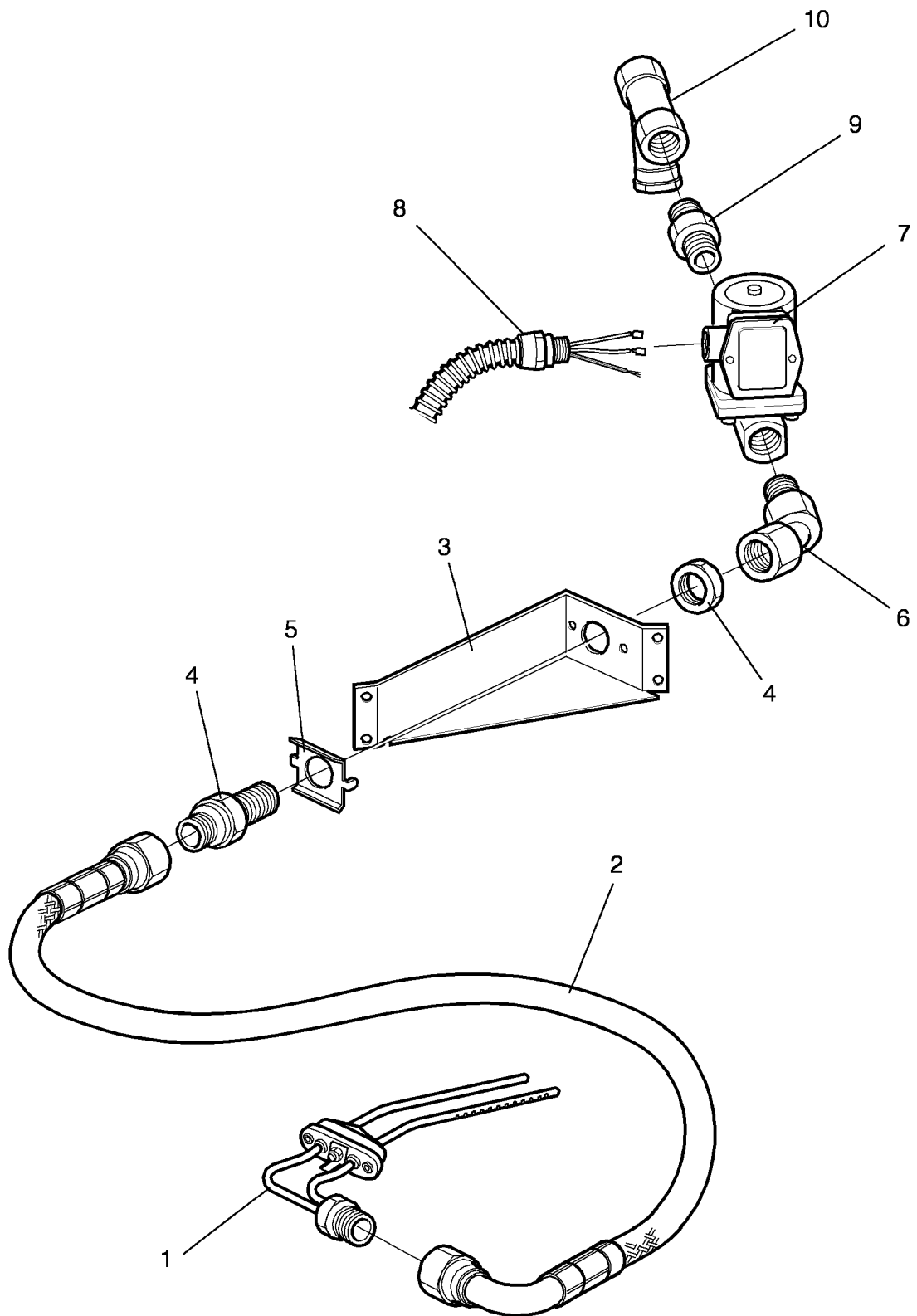
Item Pos.	Qua Ant.	Art.No Art.nr	Description	Benämning	Info Info	Notes Anmärkning
1	1		Drain valve	Avloppsventil		See illustr. 101772, 101921
2	1	471 8139-16	Hose	Slang	1	L=2250
3	1	471 8243-04	Solenoid valve	Magnetventil	1,2	230V 50Hz -795/2474
	1	471 8243-05	Solenoid valve	Magnetventil	1,2	208-240V 60Hz -795/2474
	1	471 8243-07	Solenoid valve	Magnetventil	1,2	230V 50Hz 795/2475-
	1	471 8243-08	Solenoid valve	Magnetventil	1,2	208-240V 60Hz 795/2475-
	1	471 8243-10	Solenoid valve	Magnetventil	1,2	230V 50/60Hz Japan 795/2475-
4	1	471 8139-01	Hose	Slang	1,2	L=330 -795/2474
	1	438 8102-06	Hose	Slang	1,2	L=330 795/2475-
5	1	471 8139-01	Hose	Slang	1	L=330
6	1	432 2522-01	Hose	Slang	1	
7	1	432 2511-01	Drain pipe connection	Avloppsstos	3	
8	1	471 7871-07	Hose clamp	Slangklämna	3	
9	1	736 2846-51	Hose clamp	Slangklämna	3	Ø73-83
10	1	432 2521-03	Hose	Slang	1	
11	1	736 2837-51	Hose clamp	Slangklämna	3	Ø48-54
12	1	736 2837-51	Hose clamp	Slangklämna	3	Ø48-54
13	1	432 2508-02	Hose	Slang	1	
14	1	432 2507-01	Air tube	Luftklocka	1	
15	1	432 2506-01	Connection	Anslutning	3	
16	1	471 8118-07	Hose	Slang	1	L=1275
17	1	471 2265-69	T-pipe	T-rör	3	
18	1	471 2442-42	Hose	Slang	1,2	L=120 Clarus
19	1	471 2464-18	Hose	Slang	1	L=280 Clarus
20	1	471 7873-02	Cable tie	Buntband	3	
21	1	432 3182-43	Cable set	Ledningssett	3	X50
22	1	471 8128-65	Hose	Slang	1	
23	2	736 2840-51	Hose clamp	Slangklämna	3	Ø50-63
24	1	471 8124-09	Hose	Slang	1	
25	2	736 2831-51	Hose clamp	Slangklämna	3	Ø36-42
26	1	736 2825-51	Hose clamp	Slangklämna	3	Ø32
27	1	471 4835-01	Drain hose	Avloppsslang		Ø75



FAG3330N,W3330N**Drain valve, electrical****Avloppsventil, elektrisk**

Illustration	Issue	Month	Year
Illustration	Utgåva	Månad	År
101924/2	7	8	2006

Item Pos.	Qua Ant.	Art.No Art.nr	Description	Benämning	Info Info	Notes Anmärkning
1	1	471 8215-01	Drain valve	Avloppsventil	1,2	50/60Hz
	1	471 8215-03	Drain valve	Avloppsventil	1,2	50/60Hz Normally closed
* 2	1	432 2548-01	Cover	Kåpa	1	
* 3	1	432 2531-01	Mounting plate	Fästplåt	3	
* 4	1	432 2537-01	Support	Stöd	3	
* 5	1	432 2516-05	Hose	Slang	1	
* 6	1	471 7871-07	Hose clamp	Slangklämna	3	
* 7	3	736 2846-51	Hose clamp	Slangklämna	3	Ø73-83
* 8	1	432 2534-01	Mounting plate	Fästplåt	3	
* 9	1	432 2518-05	Hose	Slang	1	
* 10	1	432 2903-02	Cable set	Ledningssats	3	-795/4624
* 11	1	432 3003-02	Cable set	Ledningssats	3	795/4625-
	1	432 2982-10	Ground cable	Jordkabel	3	



FAG3330N,W3330N

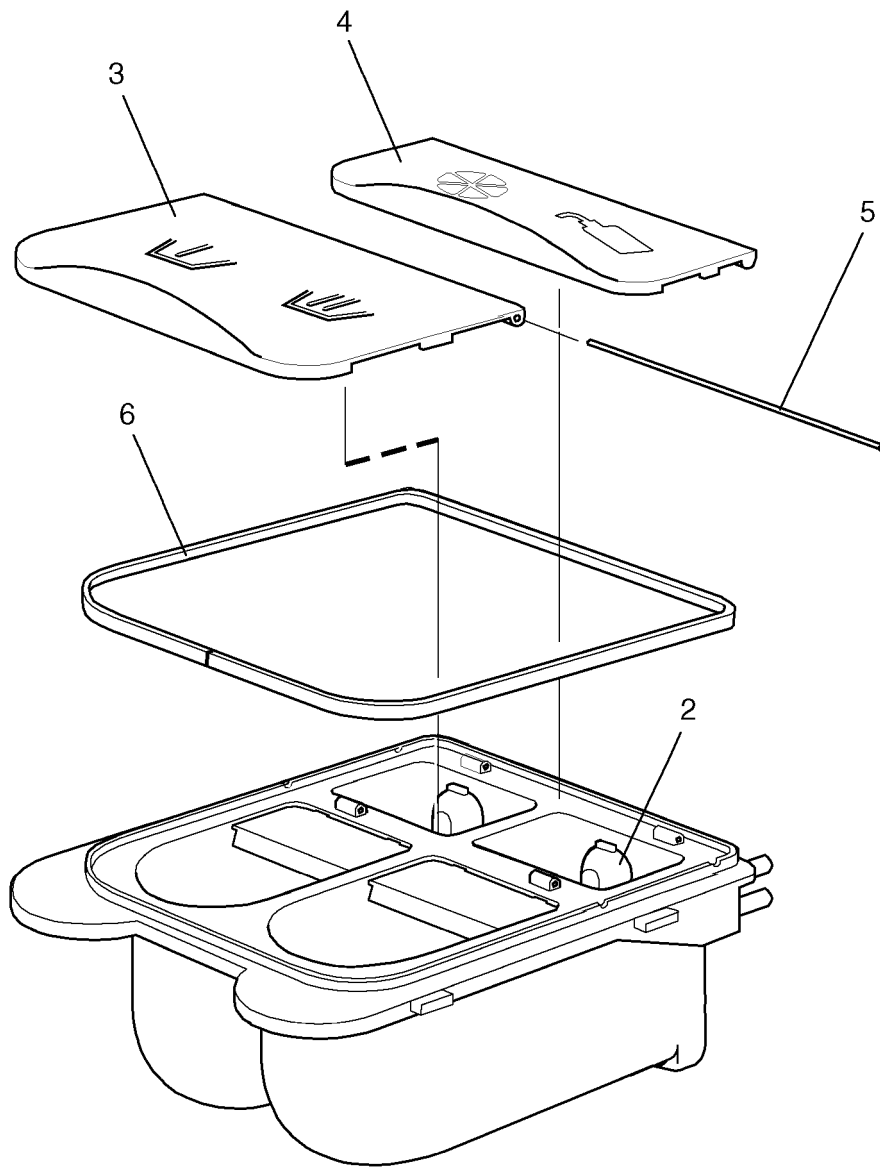
Steam components

Illustration Issue Month Year
Illustration Utgåva Månad År
101918/1 3 7 2003

Ångdetaljer

Item Pos.	Qua Ant.	Art.No Art.nr	Description	Benämning	Info Info	Notes Anmärkning
1	1	432 1631-01	Steam injector	Ånginjektor	3	
2	1	471 8126-38	Steam hose	Ångslang	1	
3	1	432 1673-01	Bracket	Konsol	3	
4	1	471 8695-01	Nipple	Nippel	3	
5	1	471 2937-01	Bracket	Vridskydd	3	
6	1	471 8697-01	Adapter	Adapter	3	
7	1	471 8279-03	Valve	Ventil	1,2	50/60 Hz
	1	471 8279-08	•Repair kit	•Reparationsats	1,2	
8	1	432 2958-01	Cable set	Ledningssats	3	
9	1	471 8624-01	Nipple	Nippel	3	
10	1	744 3113-06	Filter	Filter	3	1/2"

1



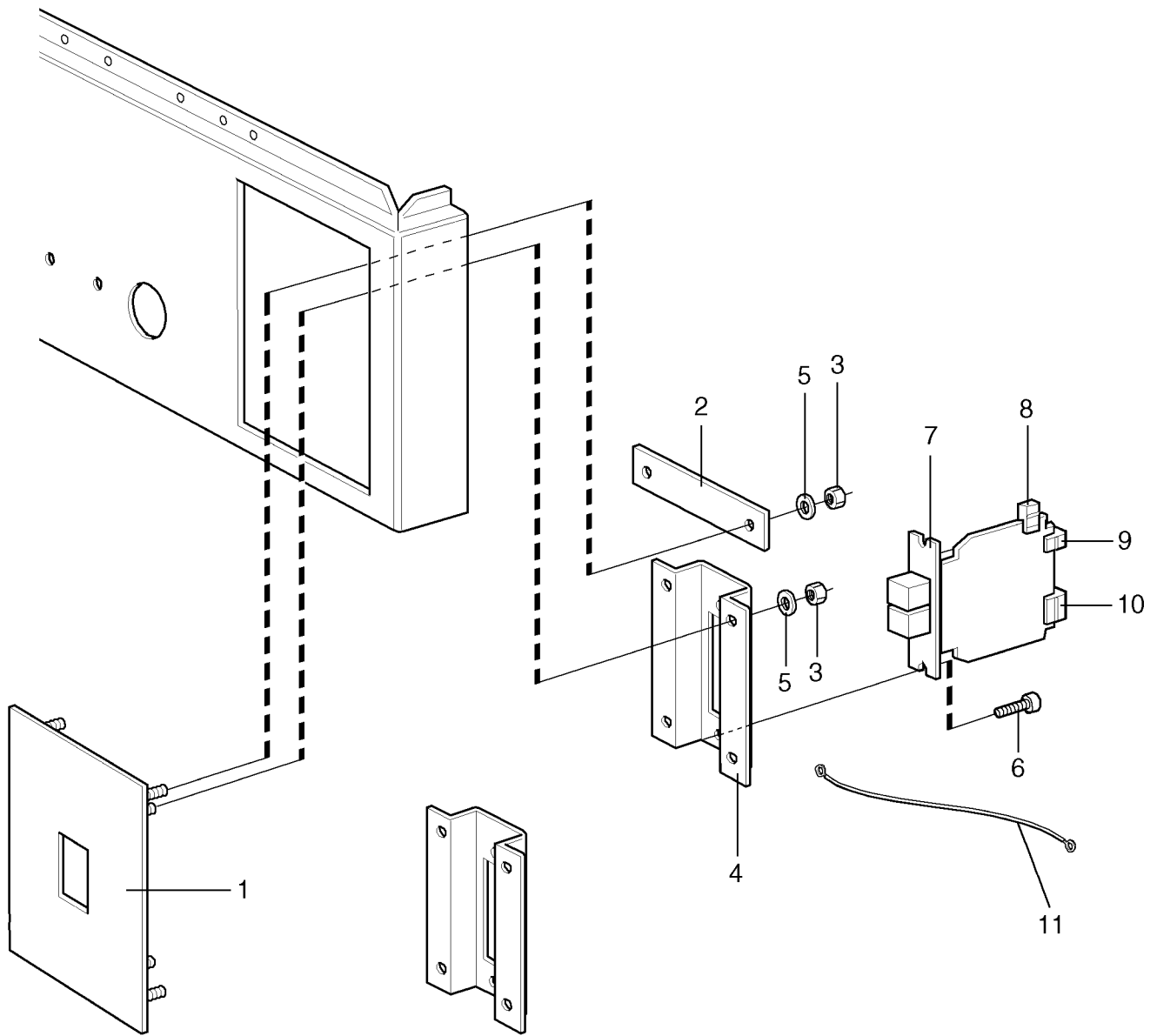
FAG3330N,W3330N

Detergent container

Tvättmedelsbehållare

Illustration Issue Month Year
Illustration Utgåva Månad År
101771/2 5 4 2003

Item Pos.	Qua Ant.	Art.No Art.nr	Description	Benämning	Info Info	Notes Anmärkning
1	1	432 2401-01	Detergent container	Tvättmedelsbehållare	1,2	
2	2	432 2404-01	•Siphon	•Hävert	1,2	
3	1	432 2405-01	•Cover	•Lock	1,2	
4	1	432 2406-01	•Cover	•Lock	1,2	
5	2	432 2407-01	•Shaft	•Axel	3	
6	1	438 8103-01	•Seal	•Tätning	1,2	
7	1	432 2409-01	Cover	Kåpa	3	

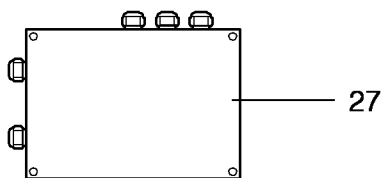
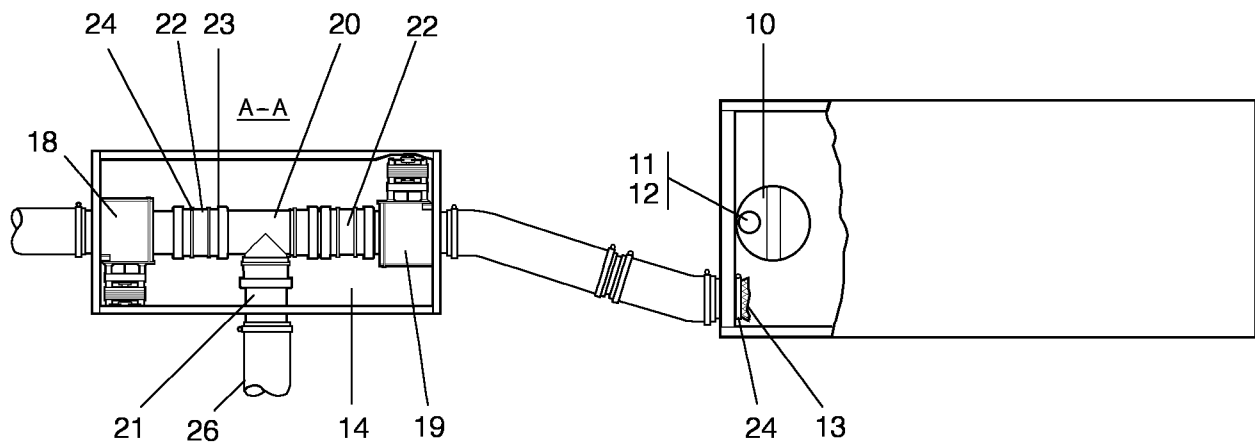
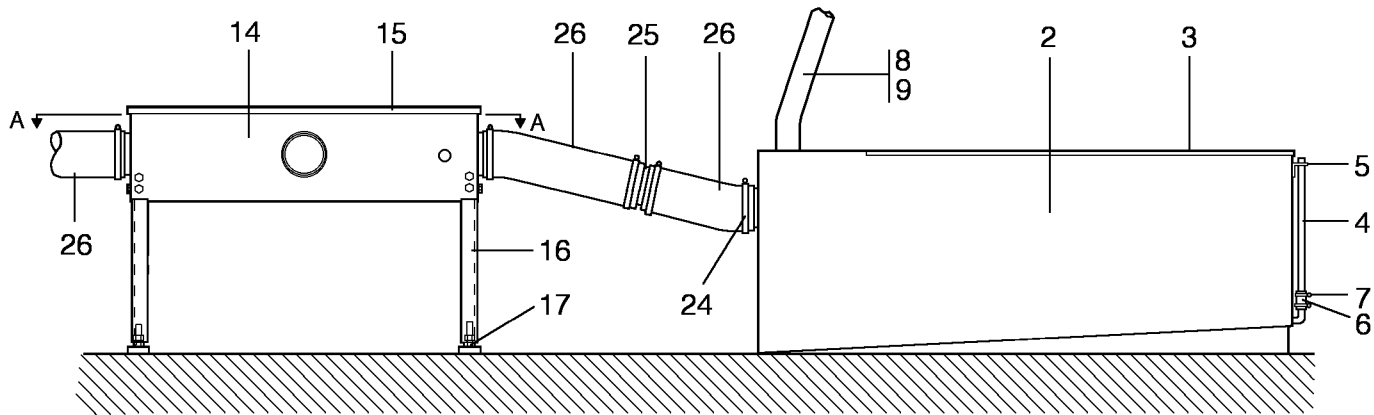


FAG3330N,W3330N**Manual starter unit, Classic****Manuell startenhet, Classic**

Illustration	Issue	Month	Year
Illustration	Utgåva	Månad	År
101991/1	2	9	2004

Item Pos.	Qua Ant.	Art.No Art.nr	Description	Benämning	Info Info	Notes Anmärkning
1	1	432 2150-06	Cover plate	Täckplåt	3	2-button
	1	432 2150-07	Cover plate	Täckplåt	3	1-button
2	2	432 2181-01	Bracket	Fäste	3	
3	8	732 2112-01	Locking nut	Låsmutter	3	M4
4	1	471 4904-02	Bracket	Konsol	3	
5	8	735 2136-01	Lock washer	Låsbricka	3	AZ 4,3
6	2	725 2289-61	Screw	Skruv	3	M4X10
7	1	438 9648-01	Pushbutton pad	Tryckknappssats	1,2	2-button
	1	438 9648-02	Pushbutton pad	Tryckknappssats	1,2	1-button
8	1	432 3082-40	Cable set	Ledningssats	3	-795/4624
	1	432 3092-40	Cable set	Ledningssats	3	795/4625-
9	1	432 3082-44	Cable set	Ledningssats	3	-795/4624
	1	432 3092-44	Cable set	Ledningssats	3	795/4625-
10	1	432 3084-06	Cable set	Ledningssats	3	-795/4624
	1	432 3094-06	Cable set	Ledningssats	3	795/4625-

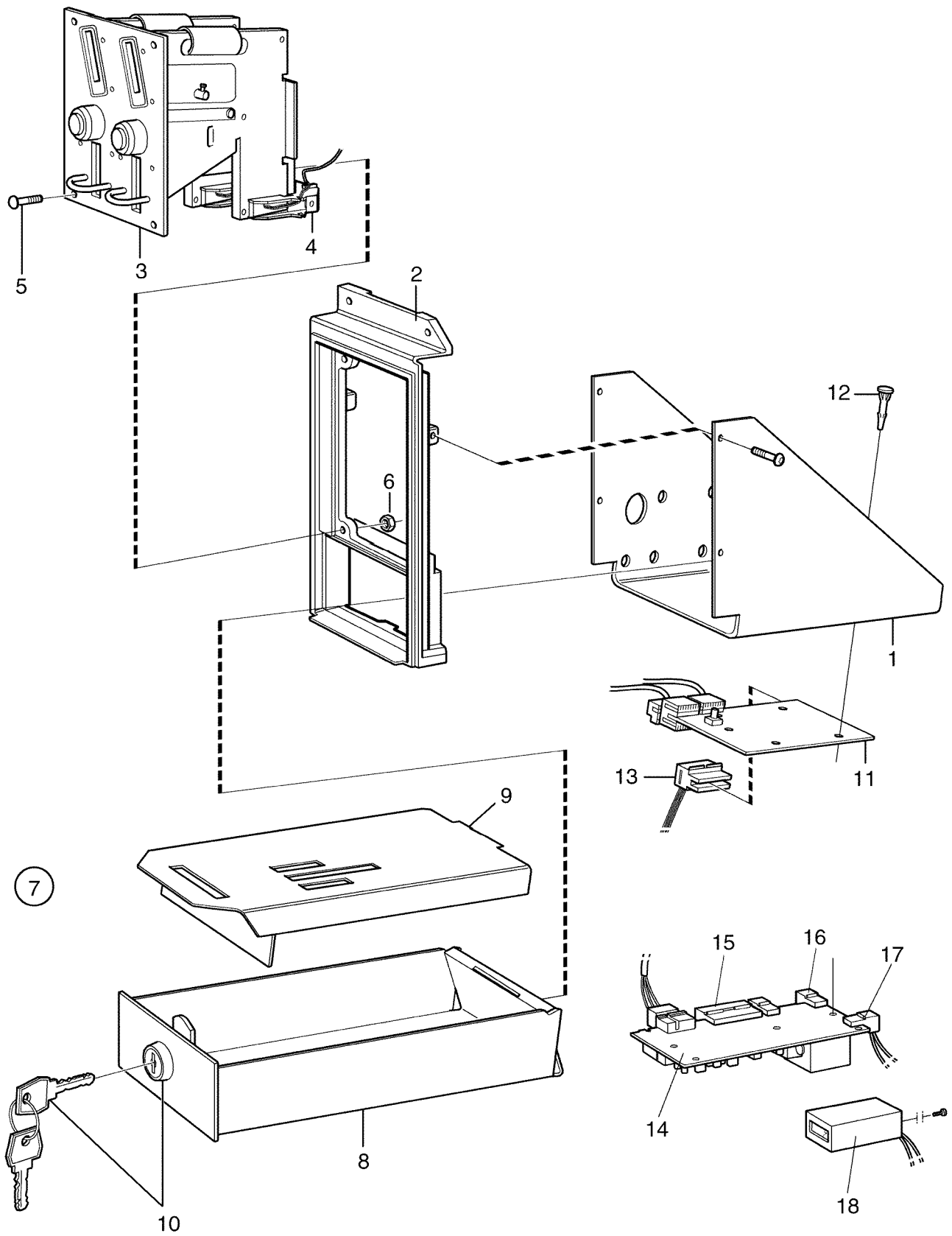
①



FAG3330N,W3330N**Water recovery system****Vattenåtervinning**

Illustration	Issue	Month	Year
Illustration	Utgåva	Månad	År
101982/1	2	7	2003

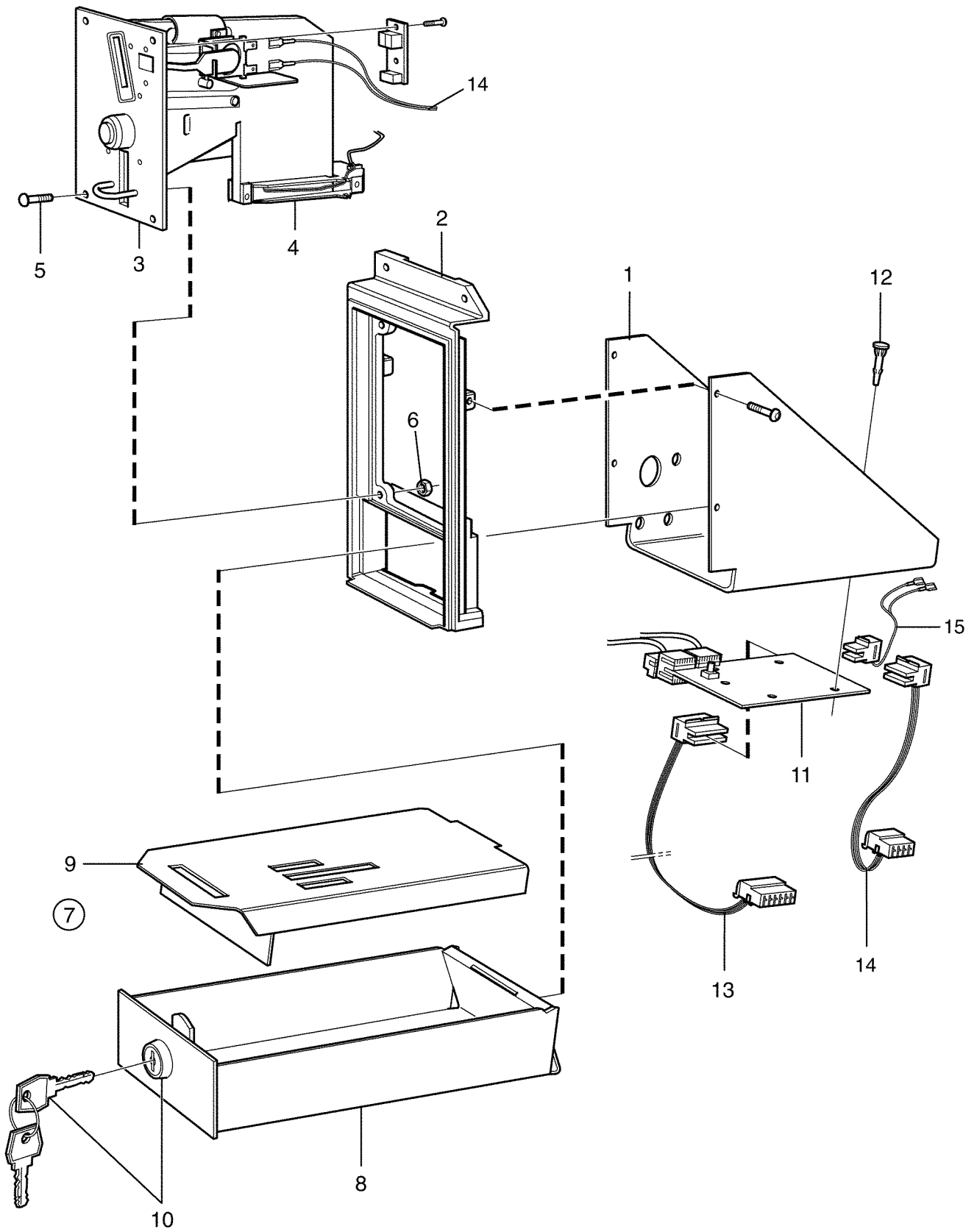
Item Pos.	Qua Ant.	Art.No Art.nr	Description	Benämning	Info Info	Notes Anmärkning
1	1		Water recovery system	Vattenåtervinning	3	50Hz Complete
	1		Water recovery system	Vattenåtervinning	3	60Hz Complete
2	1	438 0367-02	•Tank	•Tank	3	200L
3	1	438 0372-02	•Cover	•Lock	3	
4	1	471 8665-02	•Glass gauge	•Nivårör	1	
5	1	471 8164-01	•Grommet	•Genomföring	3	
6	1	877 5211-08	•Hose	•Slang	3	Per 1 m
7	2	736 2819-90	•Hose clamp	•Slangklämma	3	24
8	2	877 5252-01	•Hose	•Slang	1	Per 1 m
9	2	736 2825-90	•Hose clamp	•Slangklämma	3	32
10	1	471 4660-18	•Pump	•Pump	1,2	50Hz
	1	471 4670-83	•Pump	•Pump	1,2	60Hz
11	1	471 8614-02	•Hose nipple	•Slangnippel	3	R3/4"
12	1	471 9209-10	•Bushing	•Bussning	3	
13	1	471 4660-19	•Filter	•Filter	1,2	
14	1	438 0376-01	•Box	•Låda	3	
15	1	438 0377-02	•Cover	•Lock	3	With hole
16	4	438 0381-03	•Leg	•Ben	3	
17	4	471 8194-01	•Foot	•Fot	3	
18	1	471 8215-01	•Drain valve	•Avloppsventil	1,2	50/60Hz
19	1	471 4660-82	•Drain valve	•Avloppsventil	1,2	50/60 Hz
20	1	471 8611-00	•T-pipe	•T-rör	3	
21	1	471 8613-02	•Pipe	•Rör	3	O 75,L=150
22	2	471 8128-53	•Hose	•Slang	3	
23	1	471 8613-01	•Pipe	•Rör	3	O 75,L=100
24	Rq	736 2846-51	•Hose clamp	•Slangklämma	3	Ø73-83
25	1	438 0083-01	•Joint sleeve	•Skarvhylsa	3	
26	1	471 4835-01	•Drain hose	•Avloppsslang	1	Ø75
27	1	432 0656-11	•Electric cabinet	•Elskåp	3	50Hz Complete
	1	432 0656-12	•Electric cabinet	•Elskåp	3	60Hz Complete



FAG3330N,W3330N**Coin meter without slot locking device****Myntmätare utan myntspärr**

Illustration	Issue	Month	Year
Illustration	Utgåva	Månad	År
102127/1	4	9	2004

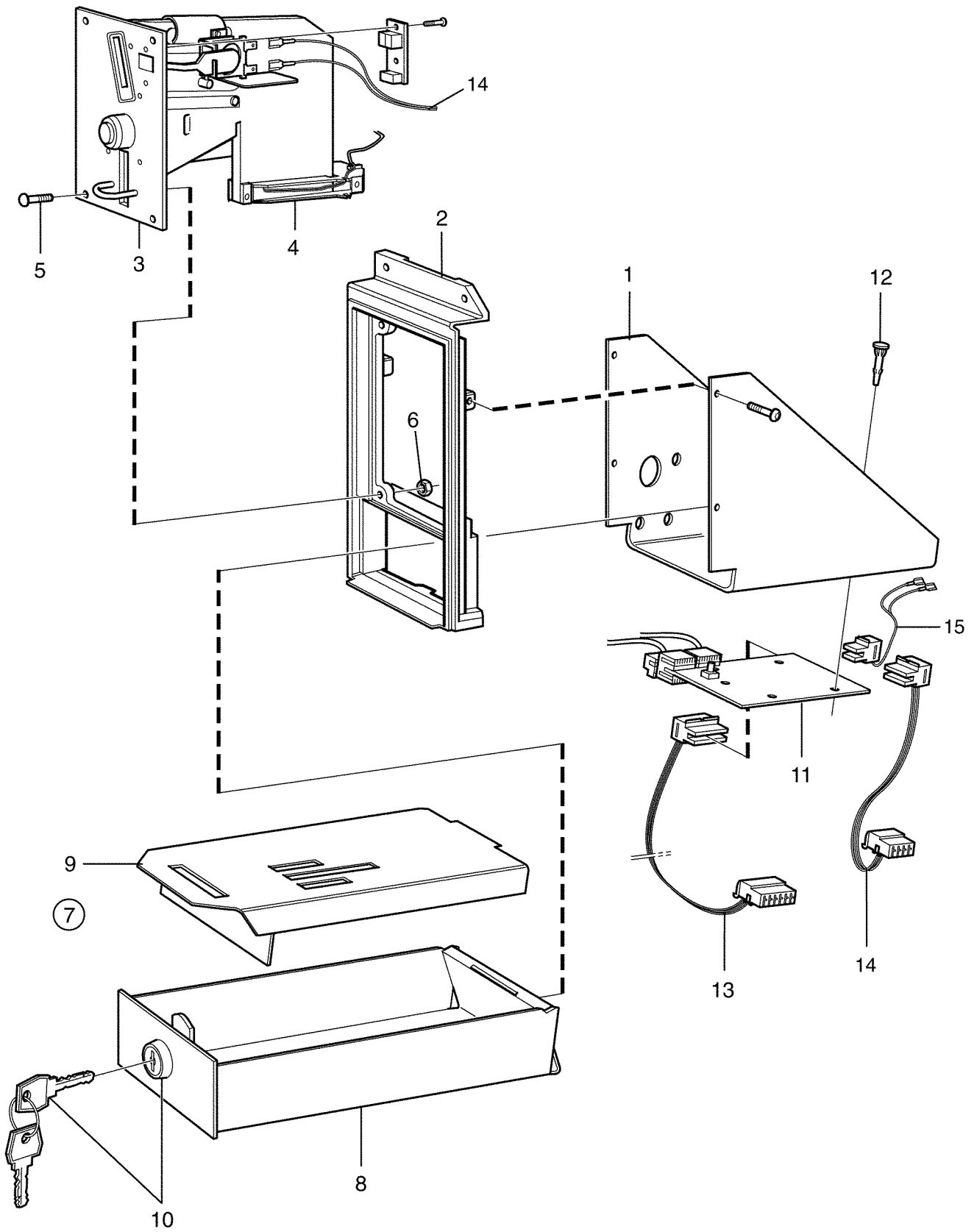
Item Pos.	Qua Ant.	Art.No Art.nr	Description	Benämning	Info Info	Notes Anmärkning
1	1	432 2185-01	Bracket	Konsol	3	
2	1	472 9913-20	Frame	Ram	3	
3	1	438 8918-01	Coin meter	Myntmätare	3	2 Coins, 1+20 DKR
	1	438 8918-02	Coin meter	Myntmätare	3	1 Coin, 1 DKR
	1	438 8918-03	Coin meter	Myntmätare	3	2 Coins, 1+5 DKR
	1	438 8918-04	Coin meter	Myntmätare	3	2 Coins, 1+10 DKR
	1	438 8918-05	Coin meter	Myntmätare	3	W0568 1 Coin, 1 DKR
	1	438 8918-06	Coin meter	Myntmätare	3	2 Coins, 2+5 DKR
	1	438 8918-07	Coin meter	Myntmätare	3	2 Coins 2+10 DKR
	1	438 8918-09	Coin meter	Myntmätare	3	TOKEN Ø26.35x1.85
	1	438 8918-10	Coin meter	Myntmätare	3	1 Coin, 10 SEK
	1	438 8918-12	Coin meter	Myntmätare	3	TOKEN MIELE, Coin no. 1699370
	1	438 8918-13	Coin meter	Myntmätare	3	1 Coin, 10 NOK
	1	438 8918-14	Coin meter	Myntmätare	3	2 Coins, 1+10 NOK
	1	438 8918-15	Coin meter	Myntmätare	3	TOKEN MENCH Ø16.55x2.55
	1	438 8918-16	Coin meter	Myntmätare	3	2 Coins, 1+2 AUD
	1	438 8918-17	Coin meter	Myntmätare	3	1 Coin, 1 MYR
	1	438 8918-18	Coin meter	Myntmätare	3	2 Coins, 0.2+1 AUD
	1	438 8918-19	Coin meter	Myntmätare	3	1 Coin, 1 IEP
	1	438 8918-20	Coin meter	Myntmätare	3	1 Coin, 1 HKD
	1	438 8918-21	Coin meter	Myntmätare	3	2 Coins, 1+0.25 USD
	1	438 8918-22	Coin meter	Myntmätare	3	2 Coins, 1 Euro + 20 Cent
	1	438 8918-23	Coin meter	Myntmätare	3	2 Coins, 0,10+0,50 Euro
	1	438 8918-24	Coin meter	Myntmätare	3	2 Coins, 0,20+2 Euro
	1	438 8918-25	Coin meter	Myntmätare	3	1 Coin, 0,10 Euro
	1	438 8918-26	Coin meter	Myntmätare	3	0,20 Euro
	1	438 8918-27	Coin meter	Myntmätare	3	0,50 Euro
	1	438 8918-28	Coin meter	Myntmätare	3	1 Euro
	1	438 8918-29	Coin meter	Myntmätare	3	2 Euro
	1	438 8918-30	Coin meter	Myntmätare	3	1 Coin, 1 SEK
	1	438 8910-62	Coin meter	Myntmätare	3	KRW 500
4	1	438 8910-91	•Sensor	•Sensor	1,2	
5	4	471 8910-90	Screw	Skruv	3	
6	4	731 2312-01	Nut	Mutter	3	M4
7	1		Coin box	Myntlåda		Complete Included in pos 2
8	1		•Coin box	•Myntlåda		
9	1	432 2204-01	•Cover	•Lock	3	
10	1	471 7817-01	•Lock	•Lås	1,2	
11	1	438 8790-01	Printed circuit board	Kretskort	1,2	
	1	438 8982-01	Coin counter	Mynträknare	1	230V Classic Control
	1	438 8982-02	Coin counter	Mynträknare	1	120V Classic Control
12	4	471 7958-02	Support	Stöd	3	
13	1	432 3086-15	Cable set	Ledningssats	3	-795/4624
	1	432 3096-15	Cable set	Ledningssats	3	795/4625-



FAG3330N,W3330N**Coin meter with slot locking device****Myntmätare med myntspärr**

Illustration	Issue	Month	Year
Illustration	Utgåva	Månad	År
102120/1	3	9	2004

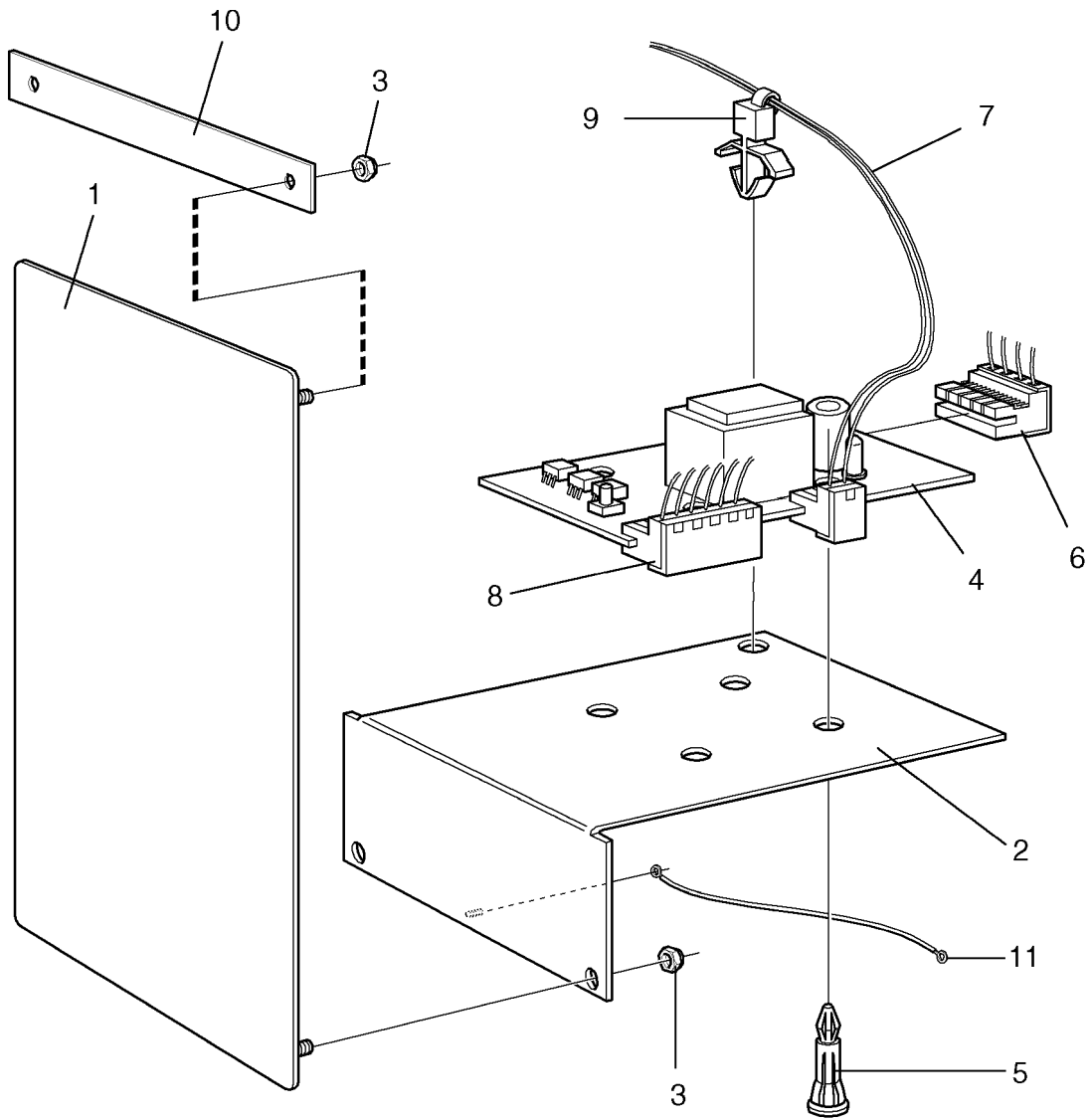
Item Pos.	Qua Ant.	Art.No Art.nr	Description	Benämning	Info Info	Notes Anmärkning
1	1	432 2185-01	Bracket	Konsol	3	
2	1	472 9913-20	Frame	Ram	3	
3	1	438 8916-01	Coin meter	Myntmätare	3	1 Coin, 1 SEK
	1	438 8916-02	Coin meter	Myntmätare	3	TOKEN Ø23.5x1.7
	1	438 8916-03	Coin meter	Myntmätare	3	TOKEN Ø24,3x1,5
	1	438 8916-04	Coin meter	Myntmätare	3	2 Coins, 10+50 new pence GB
	1	438 8916-05	Coin meter	Myntmätare	3	2 Coins, 5+1 DKR
	1	438 8916-06	Coin meter	Myntmätare	3	TOKEN Ø23.7x1.6
	1	438 8916-08	Coin meter	Myntmätare	3	2 Coins, 0.2+0.5 GBP
	1	438 8916-09	Coin meter	Myntmätare	3	TOKEN Ø25.0x2.0
	1	438 8916-10	Coin meter	Myntmätare	3	1 Coin, 50 new cent Singapore
	1	438 8916-11	Coin meter	Myntmätare	3	2 Coins, 1+5 DKR
	1	438 8916-12	Coin meter	Myntmätare	3	TOKEN Ø22.5x1.5
	1	438 8916-13	Coin meter	Myntmätare	3	TOKEN Ø27.0x1.6
	1	438 8916-14	Coin meter	Myntmätare	3	TOKEN Ø22,0x1,5
	1	438 8916-16	Coin meter	Myntmätare	3	TOKEN Ø19,0x1,0
	1	438 8916-17	Coin meter	Myntmätare	3	TOKEN Ø22.35x1.6
	1	438 8916-18	Coin meter	Myntmätare	3	1 Coin, 10 TWD
	1	438 8916-19	Coin meter	Myntmätare	3	2 Coins, 0,2 + 1 GBP
	1	438 8916-20	Coin meter	Myntmätare	3	2 Coins, 1+5 NKR
	1	438 8916-21	Coin meter	Myntmätare	3	1 Coin, 5 SEK
	1	438 8916-22	Coin meter	Myntmätare	3	2 Coins, 1+10 DKR
	1	438 8916-23	Coin meter	Myntmätare	3	TOKEN Ø25.0x1.8
	1	438 8916-24	Coin meter	Myntmätare	3	TOKEN Ø25.8x1.7
	1	438 8916-25	Coin meter	Myntmätare	3	TOKEN Ø26.0x2.1
	1	438 8916-26	Coin meter	Myntmätare	3	1 Coin, 100 YEN
	1	438 8916-27	Coin meter	Myntmätare	3	2 Coins, 100+500 YEN
	1	438 8916-29	Coin meter	Myntmätare	3	1 Coin, 20 pence GB
	1	438 8916-30	Coin meter	Myntmätare	3	1 Coin, 25 cent USA
	1	438 8916-31	Coin meter	Myntmätare	3	1 Coin, 1 HKD
	1	438 8916-34	Coin meter	Myntmätare	3	2 Coins, 10+50 pence GB
	1	438 8916-35	Coin meter	Myntmätare	3	2 Coins, 1+10 NKR
	1	438 8916-36	Coin meter	Myntmätare	3	1 Coin, 500 KRW
	1	438 8916-37	Coin meter	Myntmätare	3	2 Coins, 0,2+1 AUD
	1	438 8916-38	Coin meter	Myntmätare	3	2 Coins, 1+5 DKR
	1	438 8916-39	Coin meter	Myntmätare	3	2 Coins, 1+10 DKR
	1	438 8916-40	Coin meter	Myntmätare	3	2 Coins, 2+5 DKR
	1	438 8916-41	Coin meter	Myntmätare	3	2 Coins, 2+10 DKR
	1	438 8916-42	Coin meter	Myntmätare	3	1 Coin, 50 cent Malaysia
	1	438 8916-44	Coin meter	Myntmätare	3	2 Coins, 0,5+1 GBP
	1	438 8916-45	Coin meter	Myntmätare	3	1 Coin, 1 GBP
	1	438 8916-47	Coin meter	Myntmätare	3	TOKEN Ø19.0x1.5
	1	438 8916-48	Coin meter	Myntmätare	3	2 Coins, 10+50 TWD
	1	438 8916-49	Coin meter	Myntmätare	3	1 Coin, 20 Korung CZ
	1	438 8916-50	Coin meter	Myntmätare	3	1 Coin, 5 DM
	1	438 8916-51	Coin meter	Myntmätare	3	2 Coins, 1+5 ILS
	1	438 8916-52	Coin meter	Myntmätare	3	Token Ø28.1x1.65
	1	438 8916-53	Coin meter	Myntmätare	3	2 Coins, 1+10 NKR
	1	438 8916-55	Coin meter	Myntmätare	3	2 Coins, 2+5 ZAR
	1	438 8916-56	Coin meter	Myntmätare	3	2 Coins 0,5+1 MYR
	1	438 8916-57	Coin meter	Myntmätare	3	1 Coin, 1 SGD
	1	438 8916-58	Coin meter	Myntmätare	3	2 Coins, 2+5 ZAR
	1	438 8916-59	Coin meter	Myntmätare	3	2 Coins, 1+2 AUD
	1	438 8916-60	Coin meter	Myntmätare	3	2 Coins, 5+1 HKD
	1	438 8916-63	Coin meter	Myntmätare	3	TOKEN Ø24,3x1,5
	1	438 8916-64	Coin meter	Myntmätare	3	Token Ø20.0x2.0
	1	438 8916-65	Coin meter	Myntmätare	3	1 Coins, 1 HKD
	1	438 8916-66	Coin meter	Myntmätare	3	2 Coins, 1+0.25 USD
	1	438 8916-67	Coin meter	Myntmätare	3	2 Coins, 0.1+0.5 Euro



FAG3330N,W3330N**Coin meter with slot locking device****Myntmätare med myntspärr**

Illustration	Issue	Month	Year
Illustration	Utgåva	Månad	År
102120/1	3	9	2004

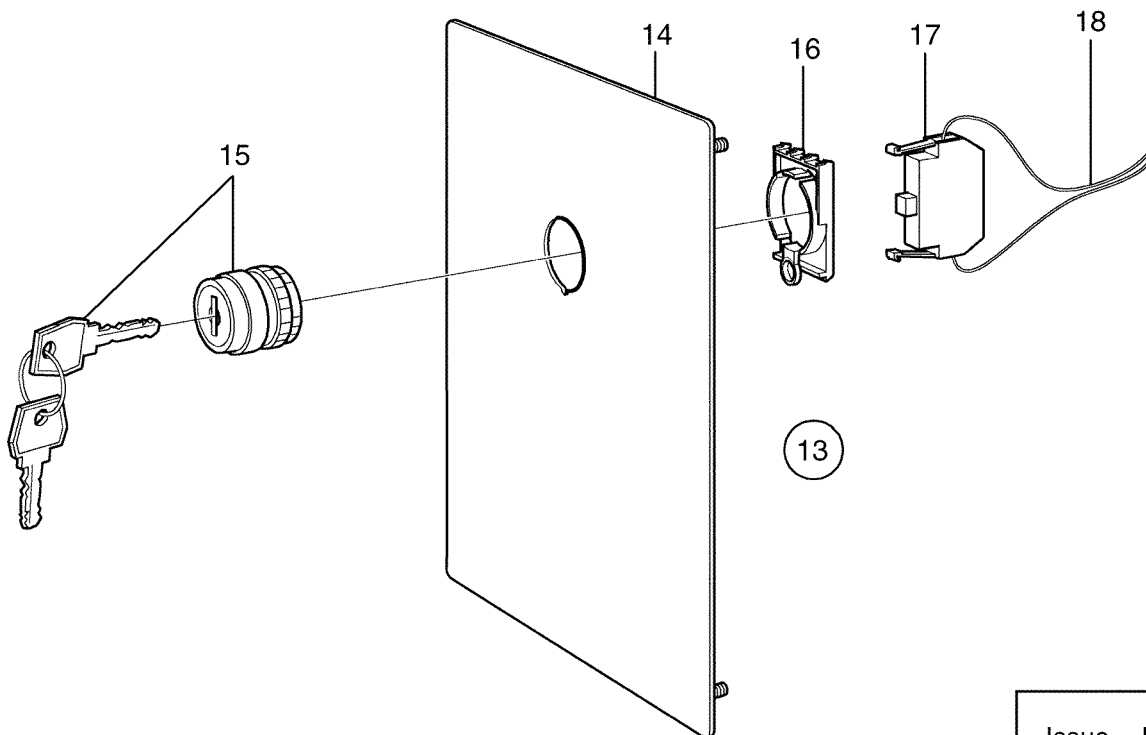
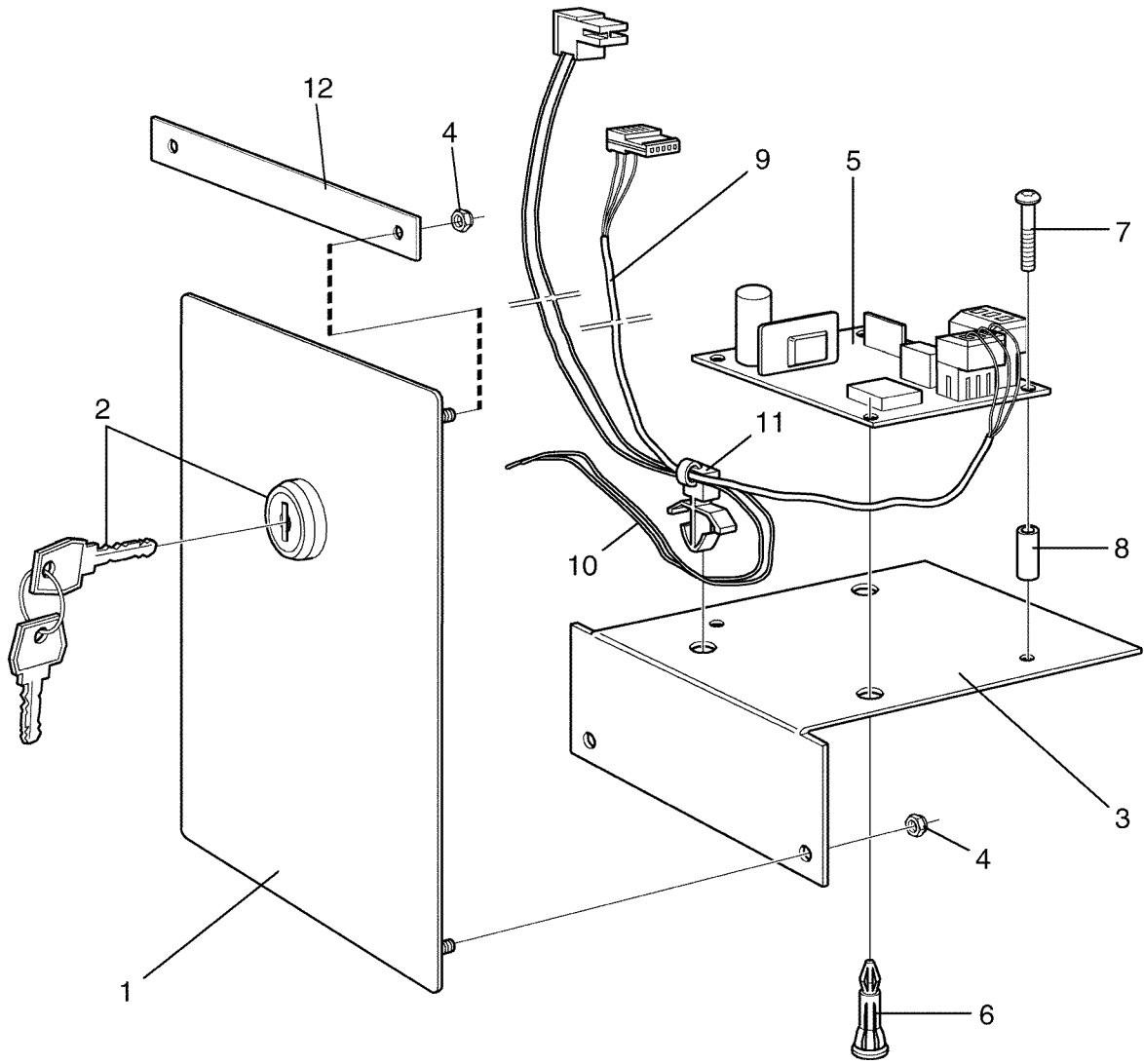
Item Pos.	Qua Ant.	Art.No Art.nr	Description	Benämning	Info Info	Notes Anmärkning
	1	438 8916-68	Coin meter	Myntmätare	3	2 Coins, 0.2+2 Euro
	1	438 8916-69	Coin meter	Myntmätare	3	1 Coin, 1 EUcent
	1	438 8916-70	Coin meter	Myntmätare	3	1 Coins, 20 EUcent
	1	438 8916-71	Coin meter	Myntmätare	3	1 Coins, 50 EUcent
	1	438 8916-72	Coin meter	Myntmätare	3	1 Coin, 1 Euro
	1	438 8916-73	Coin meter	Myntmätare	3	1 Coin, 2 Euro
	1	438 8919-01	Coin meter	Myntmätare	3	2 Coins. JPY 100+500
	1	438 8919-02	Coin meter	Myntmätare	3	2 Coins, JPY 100+news 500
4	1	438 8910-91	•Sensor	•Sensor	1,2	
5	4	471 8910-90	Screw	Skruv	3	
6	4	731 2312-01	Nut	Mutter	3	M4
7	1		Coin box	Myntlåda		Complete Included in pos 2
8	1		•Coin box	•Myntlåda		
9	1	432 2204-01	•Cover	•Lock	3	
10	1	471 7817-01	•Lock	•Lås	1,2	
11	1	438 8790-01	Printed circuit board	Kretskort	1,2	
	1	438 8982-01	Coin counter	Mynträknare	1	230V Classic Control
	1	438 8982-02	Coin counter	Mynträknare	1	120V Classic Control
12	4	471 7958-02	Support	Stöd	3	
13	1	432 3086-15	Cable set	Ledningssats	3	-795/4624
	1	432 3096-15	Cable set	Ledningssats	3	795/4625-
14	1	432 3084-01	Cable set	Ledningssats	3	-795/4624
	1	432 3094-01	Cable set	Ledningssats	3	795/4625-
15	1	432 3082-71	Cable set	Ledningssats	3	X232 -795/4624
	1	432 3092-71	Cable set	Ledningssats	3	795/4625-



FAG3330N,W3330N**External coin meter****Extern myntmätare**

Illustration	Issue	Month	Year
Illustration	Utgåva	Månad	År
101984/1	2	9	2004

Item Pos.	Qua Ant.	Art.No Art.nr	Description	Benämning	Info Info	Notes Anmärkning
1	1	432 2150-01	Cover plate	Täckplåt	3	
2	1	432 2176-01	Bracket	Konsol	3	
3	4	732 2112-01	Locking nut	Låsmutter	3	M4
4	1	438 8794-01	Printed circuit board	Kretskort	1,2	
5	4	471 7958-02	Support	Stöd	3	
6	1	432 3084-27	Cable set	Ledningssats	3	-795/4624
	1	432 3094-27	Cable set	Ledningssats	3	795/4625-
7	1	432 3082-55	Cable set	Ledningssats	3	-795/4624
	1	432 3092-55	Cable set	Ledningssats	3	795/4625-
8	1	432 3086-15	Cable set	Ledningssats	3	-795/4624
	1	432 3096-15	Cable set	Ledningssats	3	795/4625-
9	1	471 7877-01	Cable tie	Buntband	3	
10	1	432 2181-01	Bracket	Fäste	3	
11	1	432 2982-20	Cable set	Ledningssats	3	Ground

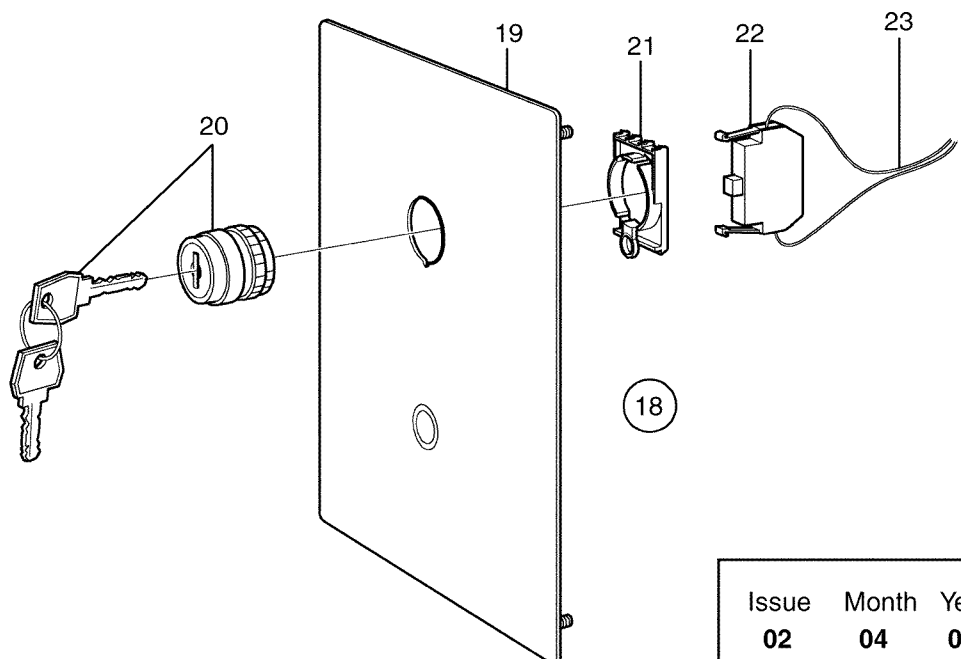
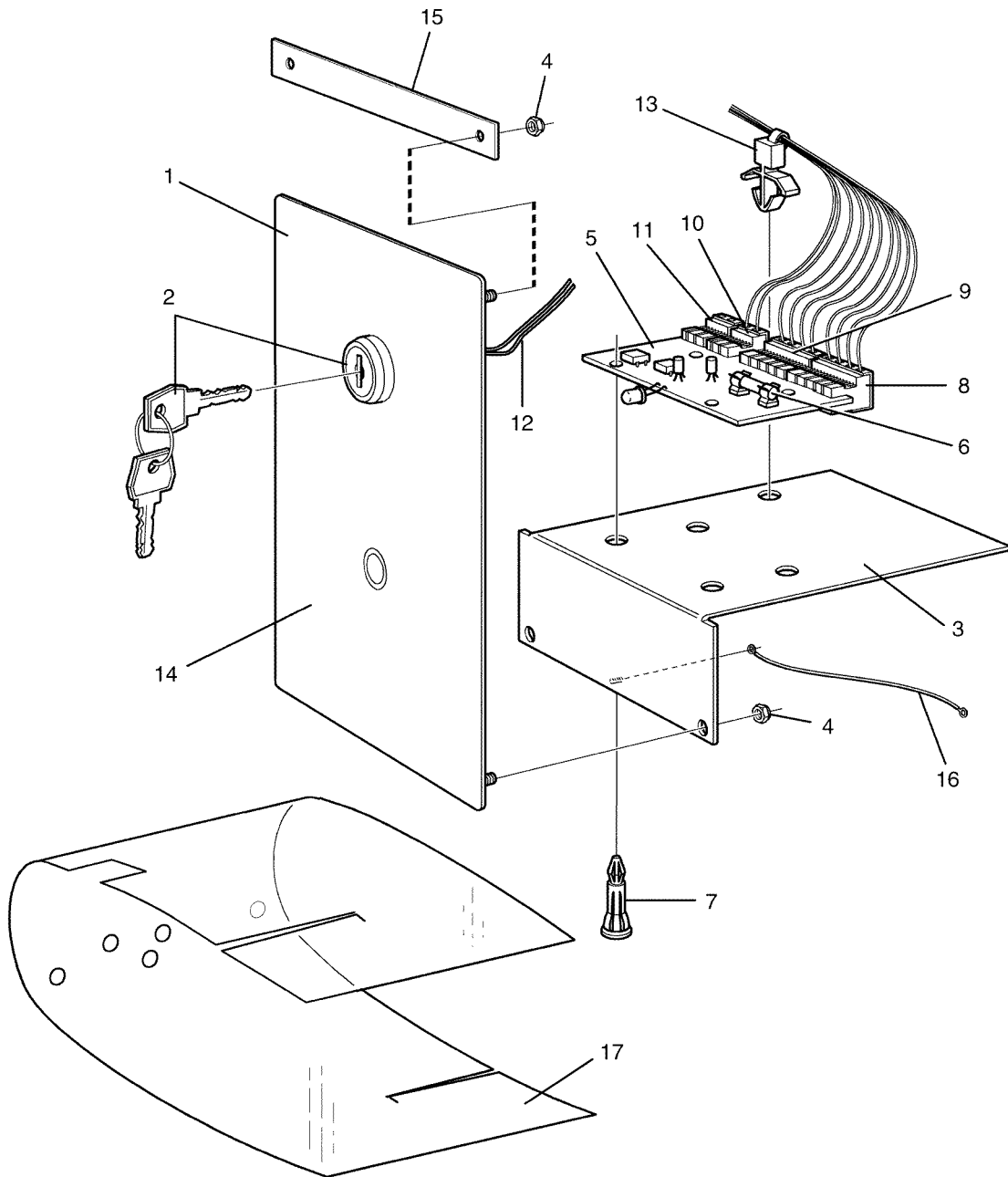


Issue	Month	Year
02	04	06

FAG3330N,W3330N**Master system****Mastersystem**

Illustration	Issue	Month	Year
Illustration	Utgåva	Månad	År
101980/2	3	4	2006

Item Pos.	Qua Ant.	Art.No Art.nr	Description	Benämning	Info Info	Notes Anmärkning
1	1	432 2150-05	Cover plate	Täckplåt	3	
* 2	1	471 9677-01	Key switch	Nyckelbrytare	1	Complete
* 3	1	471 9628-85	Key switch	Nyckelbrytare	1	
* 4	1	471 9628-75	Bracket	Hållare	3	
* 5	1	471 9628-71	Socket	Kontaktblock	1	
6	1	432 2176-01	Bracket	Konsol	3	
7	4	732 2112-01	Locking nut	Låsmutter	3	M4
8	1	471 8991-01	Printed circuit board	Kretskort	1,2	
9	2	471 7958-02	Support	Stöd	3	
10	2	471 8342-16	Screw	Skruv	3	M4X20
11	2	438 0299-01	Spacer	Distans	3	
12	1	432 2932-01	Cable set	Ledningssats	3	
13	1	432 2931-02	Cable set	Ledningssats	3	-795/4624
* 14	1	432 3031-02	Cable set	Ledningssats	3	795/4625-
* 15	1	413 3182-05	Cable set	Ledningssats	3	
16	1	471 7877-01	Cable tie	Buntband	3	
17	1	432 2181-01	Bracket	Fäste	3	
18	1	472 9919-17	Cover plate	Täckplåt	1,2	Complete
19	1	432 2150-14	•Cover plate	•Täckplåt	3	
20	1	471 9628-85	•Key switch	•Nyckelbrytare	1,2	
21	1	471 9628-75	•Bracket	•Hållare	3	
22	1	471 9628-71	•Socket	•Kontaktblock	3	



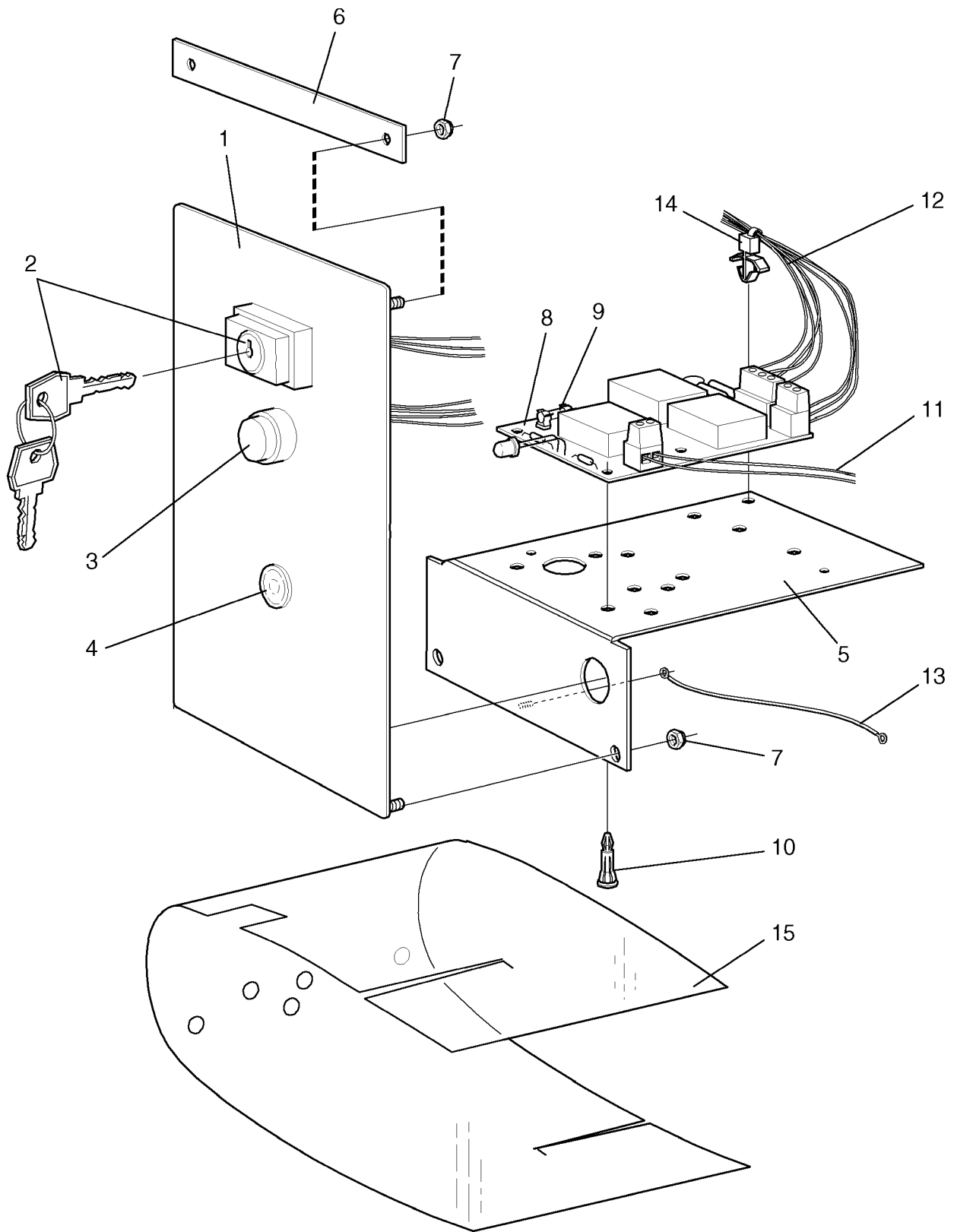
FAG3330N,W3330N

Electrolux Flex system

Electrolux Flexsystem

Illustration Issue Month Year
Illustration Utgåva Månad År
101985/2 3 4 2006

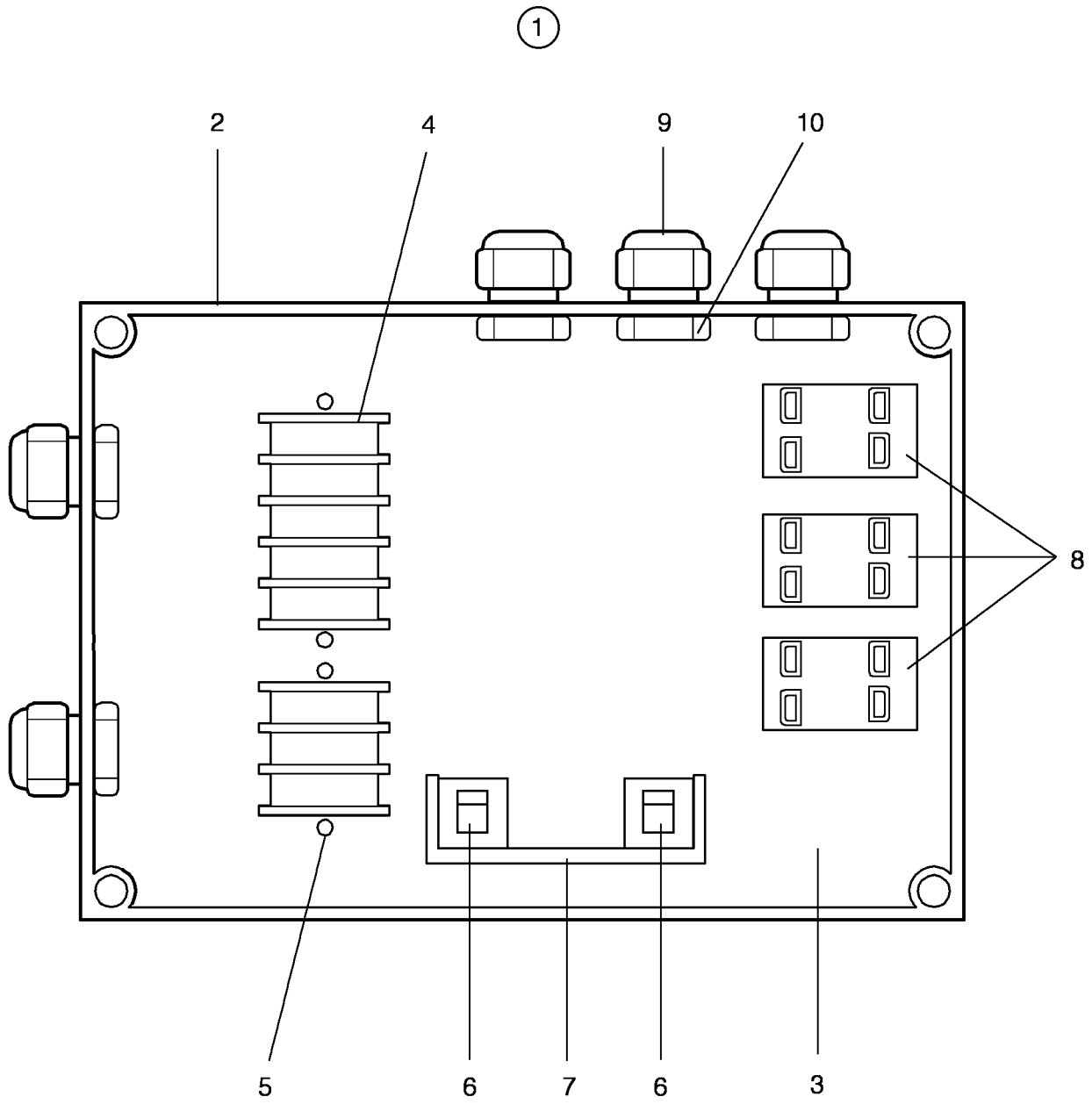
Item Pos.	Qua Ant.	Art.No Art.nr	Description	Benämning	Info Info	Notes Anmärkning
1	1	432 2150-04	Cover plate	Täckplåt	3	
* 2	1	471 9677-01	Key switch	Nyckelbrytare	1	Complete
* 3	1	471 9628-85	Key switch	Nyckelbrytare	1	
* 4	1	471 9628-75	Bracket	Hållare	3	
* 5	1	471 9628-71	Socket	Kontaktblock	1	
3	1	432 2176-01	Bracket	Konsol	3	
4	4	732 2112-01	Locking nut	Låsmutter	3	M4
5	1	471 7474-22	Printed circuit board	Kretskort	1,2	
6	1	762 8141-90	Fuse	Säkring	1,2	100mA
7	4	471 7958-02	Support	Stöd	3	
8	1	432 3084-27	Cable set	Ledningssats	3	-795/4624
	1	432 3094-27	Cable set	Ledningssats	3	795/4625-
9	1	432 3084-06	Cable set	Ledningssats	3	-795/4624
	1	432 3094-06	Cable set	Ledningssats	3	795/4625-
10	1	432 3082-34	Cable set	Ledningssats	3	-795/4624
	1	432 3092-34	Cable set	Ledningssats	3	795/4625-
12	1	432 2931-02	Cable set	Ledningssats	3	-795/4624
* 13	1	432 3031-02	Cable set	Ledningssats	3	795/4625-
* 14	1	413 3182-05	Cable set	Ledningssats	3	
18	1	472 9919-17	Cover plate	Täckplåt	1,2	Complete
19	1	432 2150-14	•Cover plate	•Täckplåt	3	
20	1	471 9628-85	•Key switch	•Nyckelbrytare	1,2	
21	1	471 9628-75	•Bracket	•Hållare	3	
22	1	471 9628-71	•Socket	•Kontaktblock	3	
23	1	413 3182-06	•Cable set	•Ledningssats	3	



FAG3330N,W3330N**Flex system****Flexsystem**

Illustration	Issue	Month	Year
Illustration	Utgåva	Månad	År
102104/1	3	9	2004

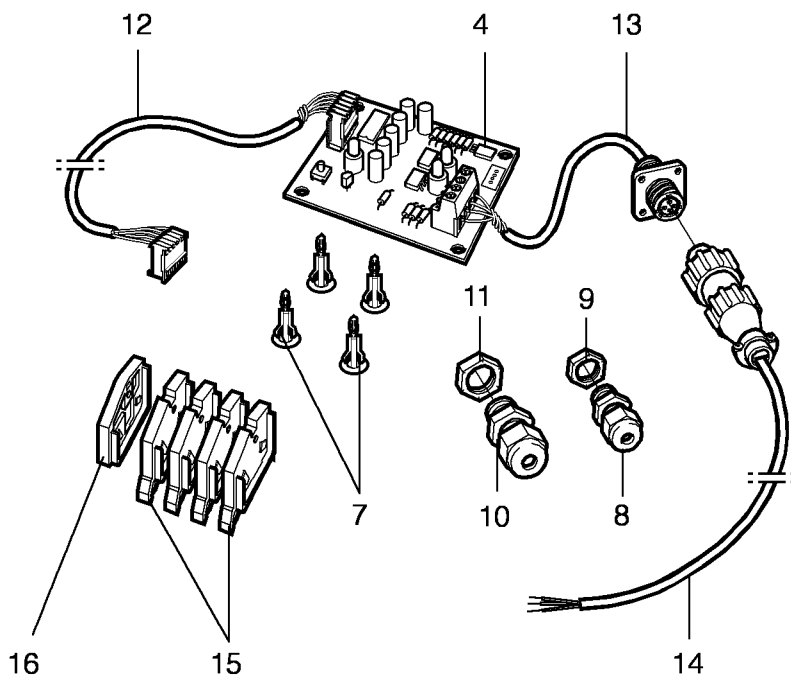
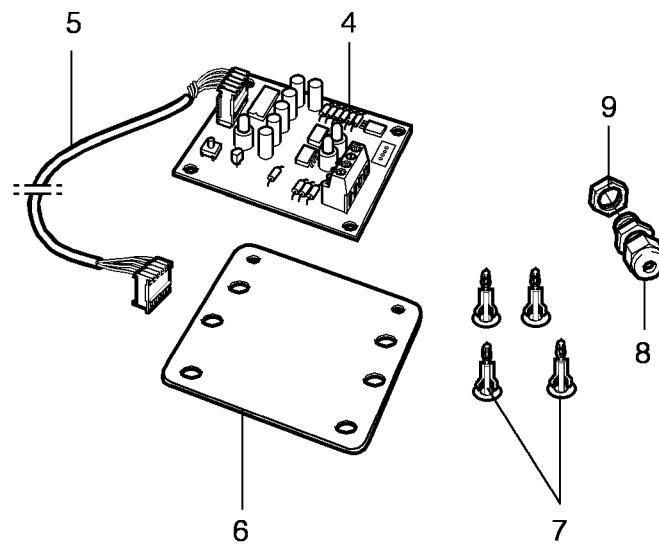
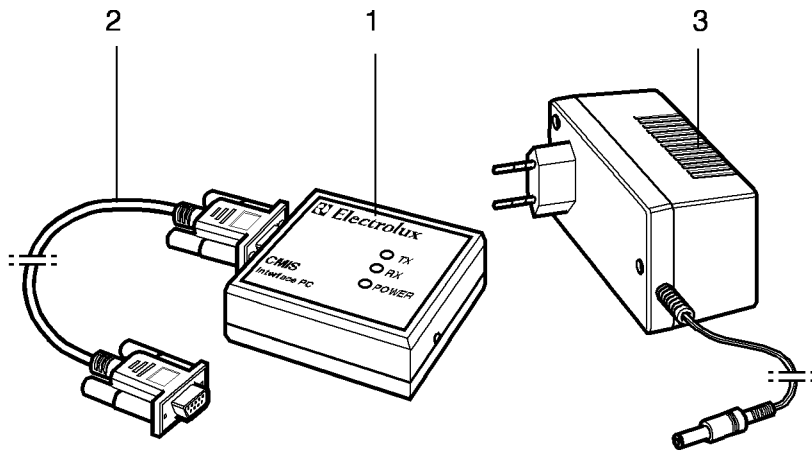
Item Pos.	Qua Ant.	Art.No Art.nr	Description	Benämning	Info Info	Notes Anmärkning
1	1	432 2150-09	Cover plate	Täckplåt	3	
2	1	471 9646-02	Key switch	Nyckelbrytare	1,2	Complete
3	1	471 9646-01	Pushbutton	Tryckknapp	1,2	
4	1	438 9650-01	Lens	Lins	1,2	
5	1	432 2176-01	Bracket	Konsol	3	
6	2	432 2181-01	Bracket	Fäste	3	
7	4	732 2112-01	Locking nut	Låsmutter	3	M4
8	1	471 4731-12	Printed circuit board	Kretskort	1,2	
9	1	762 8141-90	Fuse	Säkring	1,2	100mA
10	4	471 7958-02	Support	Stöd	3	
11	1	432 3184-02	Cable set	Ledningssats	3	-795/4624
	1	432 3194-02	Cable set	Ledningssats	3	795/4625-
12	1	432 2937-01	Cable set	Ledningssats	3	-795/4624
	1	432 3037-01	Cable set	Ledningssats	3	795/4625-



FAG3330N,W3330N**Electric cabinet****Elskåp**

Illustration	Issue	Month	Year
Illustration	Utgåva	Månad	År
101975/1	1	9	2001

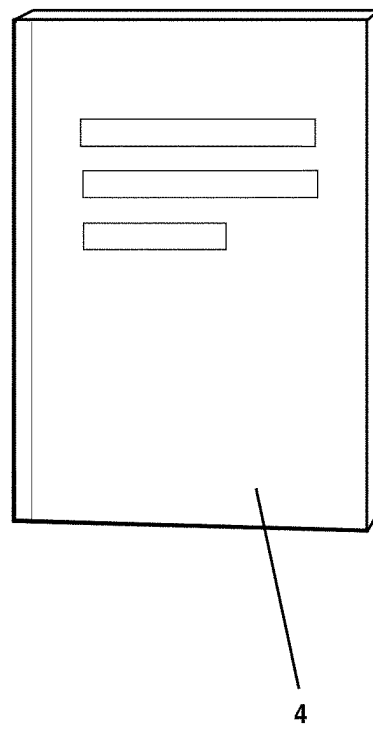
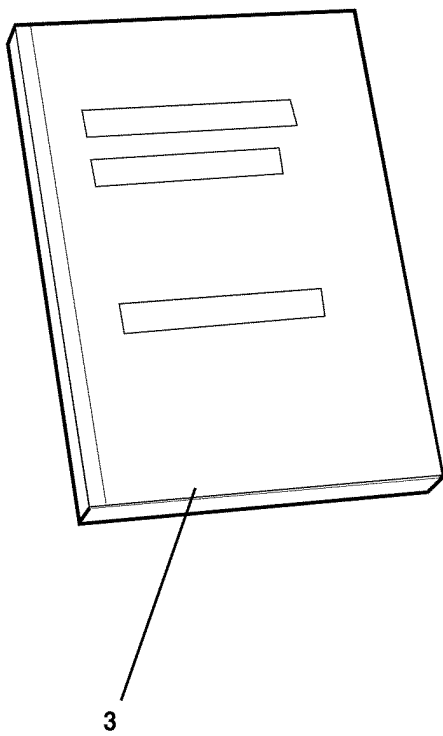
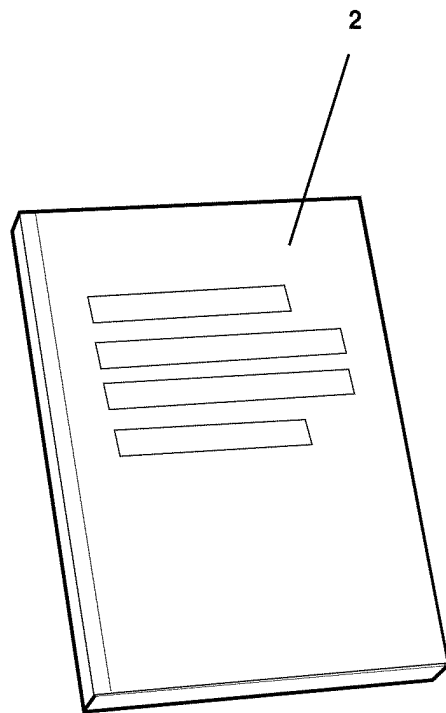
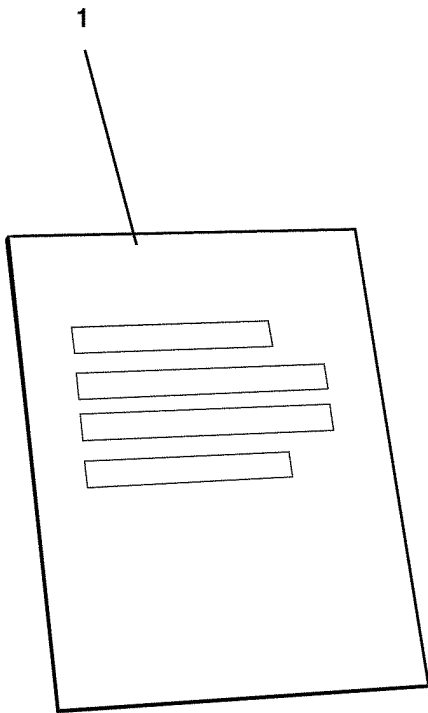
Item Pos.	Qua Ant.	Art.No Art.nr	Description	Benämning	Info Info	Notes Anmärkning
1	1	432 0656-01	Electric cabinet	Elskåp	3	50Hz Complete
	1	432 0656-02	Electric cabinet	Elskåp	3	60Hz Complete
	1	432 0656-11	Electric cabinet	Elskåp	3	50Hz Complete For 988 80 38-19 and -26
	1	432 0656-12	Electric cabinet	Elskåp	3	60Hz Complete For 988 80 38-18 and -25
2	1	471 8772-01	•Electric cabinet	•Elskåp	3	
3	1	472 9320-01	•Component panel	•Komponentplåt	3	
4	8	471 8760-01	•Block	•Plint	3	
5	4	471 8760-02	•End support	•Ändstöd	3	
6	2	471 8778-01	•Circuit breaker	•Automatsäkring	1,2	6A
7	1	471 4074-01	•Fuse holder	•Säkringshållare	3	
8	3	471 9636-03	•Contactor	•Kontaktor	1,2	50Hz
	3	471 9636-02	•Contactor	•Kontaktor	1,2	60Hz
9	5	471 8780-03	•Screw fitting	•Förskruvning	3	
10	5	471 8780-33	•Nut	•Mutter	3	



Issue	Month	Year
01	10	02

FAG3330N,W3330N**CMIS**Illustration Issue Month Year
Illustration Utgåva Månad År**CMIS****102107/1 1 12 2001**

Item Pos.	Qua Ant.	Art.No Art.nr	Description	Benämning	Info Info	Notes Anmärkning
1	1	438 8796-01	Interface PC	Interface PC	1	Complete
2	1	438 8793-01	Cable	Kabel	3	Complete
3	1	471 9680-01	Battery eliminator	Batterieliminator	3	24V
4	1	438 8791-01	CMIS Interface	CMIS Interface	1	
5	1	432 2933-03	Cable set	Ledningssats	3	
6	1	471 4601-01	Bracket	Konsol	3	
7	4	471 7958-02	Support	Stöd	3	
8	1	471 8780-01	Screw fitting	Förskruvning	3	15,2
9	1	471 8780-31	Nut	Mutter	3	15
10	1	471 8780-02	Screw fitting	Förskruvning	3	18,2
11	1	471 8780-32	Nut	Mutter	3	18
12	1	432 2933-02	Cable set	Ledningssats	3	
13	1	438 7300-87	Cable set	Ledningssats	3	
14	1	438 7300-88	Cable set	Ledningssats	3	
15	4	471 8781-02	Block	Plint	3	Orange
16	1	471 8781-11	Block	Plint	3	



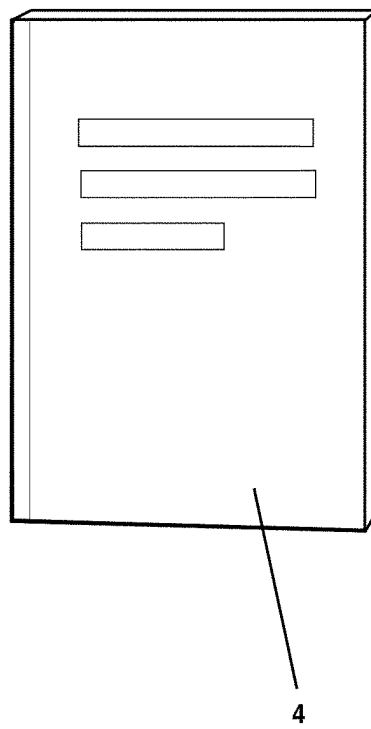
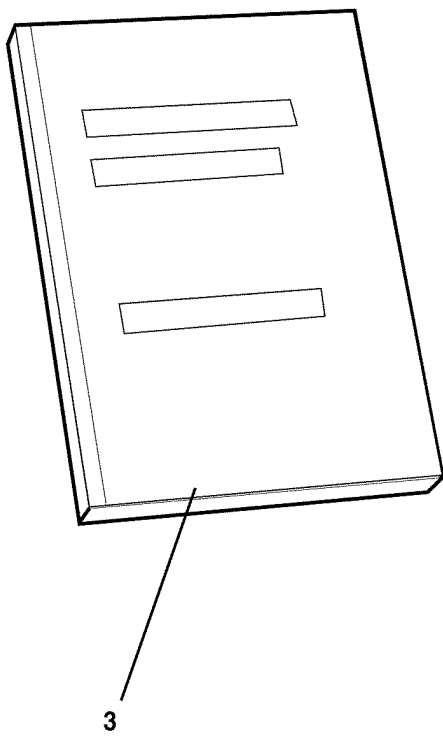
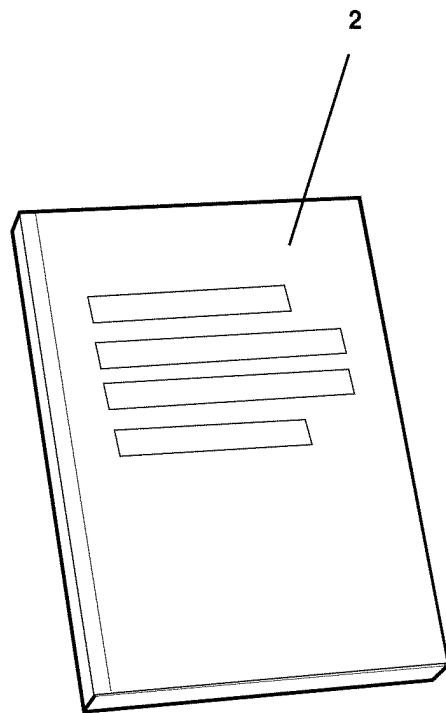
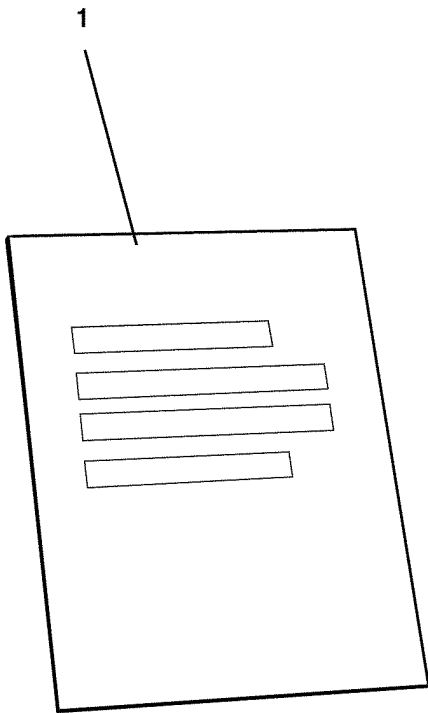
FAG3330N,W3330N

Technical documentation

Teknisk dokumentation

Illustration Issue Month Year
Illustration Utgåva Månad År
101969/1 1 5 1

Item Pos.	Qua Ant.	Art.No Art.nr	Description	Benämning	Info Info	Notes Anmärkning	
1	1	438 9200-20	Installation instructions	Installationsanvisning	1	Exacta/Clarus Swedish	
	1	438 9200-21	Installation instructions	Installationsanvisning	1	Exacta/Clarus English	
	1	438 9200-22	Installation instructions	Installationsanvisning	1	Exacta/Clarus German	
	1	438 9200-23	Installation instructions	Installationsanvisning	1	Exacta/Clarus French	
	1	438 9200-24	Installation instructions	Installationsanvisning	1	Exacta/Clarus Spanish	
	1	438 9200-25	Installation instructions	Installationsanvisning	1	Exacta/Clarus Danish	
	1	438 9200-26	Installation instructions	Installationsanvisning	1	Exacta/Clarus Finnish	
	1	438 9200-27	Installation instructions	Installationsanvisning	1	Exacta/Clarus Norwegian	
	1	438 9200-28	Installation instructions	Installationsanvisning	1	Exacta/Clarus Dutch	
	1	438 9200-29	Installation instructions	Installationsanvisning	1	Exacta/Clarus Italian	
	1	438 9200-30	Installation instructions	Installationsanvisning	1	Exacta/Clarus Portuguese	
	1	438 9200-31	Installation instructions	Installationsanvisning	1	Exacta/Clarus Japanese	
	2	1	438 9200-50	User instructions	Bruksanvisning	1	Exacta Swedish
		1	438 9200-51	User instructions	Bruksanvisning	1	Exacta English
		1	438 9200-52	User instructions	Bruksanvisning	1	Exacta German
		1	438 9200-53	User instructions	Bruksanvisning	1	Exacta French
		1	438 9200-54	User instructions	Bruksanvisning	1	Exacta Spanish
		1	438 9200-55	User instructions	Bruksanvisning	1	Exacta Danish
		1	438 9200-56	User instructions	Bruksanvisning	1	Exacta Finnish
		1	438 9200-57	User instructions	Bruksanvisning	1	Exacta Norwegian
		1	438 9200-58	User instructions	Bruksanvisning	1	Exacta Dutch
		1	438 9200-59	User instructions	Bruksanvisning	1	Exacta Italian
		1	438 9200-60	User instructions	Bruksanvisning	1	Exacta Portuguese
		1	438 9200-61	User instructions	Bruksanvisning	1	Exacta Japanese
		1	438 9201-00	User instructions	Bruksanvisning	1	Clarus Swedish
		1	438 9201-01	User instructions	Bruksanvisning	1	Clarus English
		1	438 9201-02	User instructions	Bruksanvisning	1	Clarus German
		1	438 9201-03	User instructions	Bruksanvisning	1	Clarus French
		1	438 9201-04	User instructions	Bruksanvisning	1	Clarus Spanish
		1	438 9201-05	User instructions	Bruksanvisning	1	Clarus Danish
1		438 9201-06	User instructions	Bruksanvisning	1	Clarus Finnish	
1		438 9201-07	User instructions	Bruksanvisning	1	Clarus Norwegian	
1		438 9201-08	User instructions	Bruksanvisning	1	Clarus Dutch	
1		438 9201-09	User instructions	Bruksanvisning	1	Clarus Italian	
1		438 9201-11	User instructions	Bruksanvisning	1	Clarus Japanese	
1		438 9200-70	User instructions	Bruksanvisning	1	Classic Swedish	
1		438 9200-71	User instructions	Bruksanvisning	1	Classic English	
1		438 9200-72	User instructions	Bruksanvisning	1	Classic German	
1		438 9200-73	User instructions	Bruksanvisning	1	Classic French	
1		438 9200-74	User instructions	Bruksanvisning	1	Classic Spanish	
1		438 9200-75	User instructions	Bruksanvisning	1	Classic Danish	
1		438 9200-76	User instructions	Bruksanvisning	1	Classic Finnish	
1	438 9200-77	User instructions	Bruksanvisning	1	Classic Norwegian		
1	438 9200-78	User instructions	Bruksanvisning	1	Classic Dutch		
1	438 9200-79	User instructions	Bruksanvisning	1	Classic Italian		
1	438 9200-80	User instructions	Bruksanvisning	1	Classic Portuguese		
1	438 9200-81	User instructions	Bruksanvisning	1	Classic Japanese		
3	1	438 9201-50	Service manual	Servicehandbok	1	Clarus Swedish	
	1	438 9201-51	Service manual	Servicehandbok	1	Clarus English	
	1	438 9201-52	Service manual	Servicehandbok	1	Clarus German	
	1	438 9201-53	Service manual	Servicehandbok	1	Clarus French	
	1	438 9201-54	Service manual	Servicehandbok	1	Clarus Spanish	
	1	438 9201-59	Service manual	Servicehandbok	1	Clarus Italian	
	1	438 9201-61	Service manual	Servicehandbok	1	Clarus Japanese	
	1	438 9201-80	Service manual	Servicehandbok	1	Exacta Swedish	
	1	438 9201-81	Service manual	Servicehandbok	1	Exacta English	
1	438 9201-82	Service manual	Servicehandbok	1	Exacta German		
1	438 9201-83	Service manual	Servicehandbok	1	Exacta French		
1	438 9201-84	Service manual	Servicehandbok	1	Exacta Spanish		



FAG3330N,W3330N

Technical documentation

Teknisk dokumentation

Illustration Issue Month Year
Illustration Utgåva Månad År
101969/1 1 5 1

Item Pos.	Qua Ant.	Art.No Art.nr	Description	Benämning	Info Info	Notes Anmärkning
4	1	438 9201-89	Service manual	Servicehandbok	1	Exacta Italian
	1	438 9201-91	Service manual	Servicehandbok	1	Exacta Japanese
	1	438 9050-50	Programming	Programmering	1	Clarus Swedish
	1	438 9050-51	Programming	Programmering	1	Clarus English
	1	438 9050-52	Programming	Programmering	1	Clarus German
	1	438 9050-53	Programming	Programmering	1	Clarus French
	1	438 9050-54	Programming	Programmering	1	Clarus Spanish
	1	438 9050-55	Programming	Programmering	1	Clarus Danish
	1	438 9050-56	Programming	Programmering	1	Clarus Finnish
	1	438 9050-57	Programming	Programmering	1	Clarus Norwegian
	1	438 9050-58	Programming	Programmering	1	Clarus Dutch
1	438 9050-59	Programming	Programmering	1	Clarus Italian	

Numerical index/Nummerregister

Art.No/Art.nr	Page/Sida	Art.No/Art.nr	Page/Sida	Art.No/Art.nr	Page/Sida	Art.No/Art.nr	Page/Sida
413 2965-01	7	432 2150-01	85	432 2502-01	65	432 2650-17	19
413 2965-02	7	432 2150-03	29	432 2505-01	65	432 2650-18	19
413 2965-03	7	432 2150-04	89	432 2506-01	67	432 2650-19	19
413 3182-05*	87	432 2150-05	87	432 2507-01	67	432 2650-20	19
413 3182-05*	89	432 2150-06	75	432 2508-02	67	432 2650-24	19
413 3182-06	89	432 2150-07	75	432 2511-01	67	432 2650-25	19
432 0149-01	39	432 2150-09	91	432 2516-05*	69	432 2650-26	19
432 0150-01	39	432 2150-14	87	432 2518-05*	69	432 2650-27	21
432 0656-01	93	432 2150-14	89	432 2521-03	67	432 2650-28	21
432 0656-02	93	432 2154-01	59	432 2522-01	67	432 2650-29	21
432 0656-11	77	432 2156-11	59	432 2531-01*	69	432 2650-30	21
432 0656-11	93	432 2156-12	59	432 2534-01*	69	432 2650-31	21
432 0656-12	77	432 2159-01	39	432 2537-01*	69	432 2650-32	21
432 0656-12	93	432 2160-01	39	432 2548-01*	69	432 2650-33	21
432 1210-91	17	432 2161-01	39	432 2605-13	33	432 2650-34	21
432 1210-92	17	432 2162-01	39	432 2605-14	35	432 2650-35	21
432 1451-01	7	432 2167-01	37	432 2605-15	25	432 2650-36	21
432 1453-01	7	432 2168-01	43	432 2605-15	29	432 2650-37	21
432 1455-01	17	432 2168-01	47	432 2605-16	25	432 2650-38	21
432 1463-01	17	432 2168-01	51	432 2605-16	29	432 2650-39	21
432 1465-01	17	432 2169-01	55	432 2605-20	25	432 2650-40	21
432 1472-01	17	432 2169-01	57	432 2605-20	29	432 2650-41	21
432 1477-01	7	432 2170-01	9	432 2605-20	33	432 2650-42	21
432 1504-21	11	432 2171-01	45	432 2605-20	35	432 2650-43	21
432 1544-01	11	432 2171-01	49	432 2620-01	13	432 2650-44	21
432 1549-01	11	432 2171-01	51	432 2620-02	13	432 2650-45	21
432 1554-01	11	432 2172-01	55	432 2620-04	13	432 2650-46	21
432 1564-01	11	432 2172-01	57	432 2620-07	13	432 2650-47	21
432 1569-01	11	432 2176-01	85	432 2620-08	13	432 2650-48	21
432 1574-31	11	432 2176-01	87	432 2630-01	33	432 2650-49	21
432 1574-32	11	432 2176-01	89	432 2630-02	33	432 2650-50	21
432 1574-33	11	432 2176-01	91	432 2630-03	33	432 2650-51	21
432 1609-41	11	432 2180-01	9	432 2630-04	33	432 2650-52	21
432 1631-01	71	432 2181-01	25	432 2630-06	33	432 2650-53	21
432 1653-01	7	432 2181-01	29	432 2630-09	33	432 2650-54	21
432 1654-01	7	432 2181-01	75	432 2630-10	33	432 2650-55	21
432 1673-01	71	432 2181-01	85	432 2649-03	19	432 2650-56	21
432 1828-01	13	432 2181-01	87	432 2649-04	19	432 2650-57	21
432 1843-02	13	432 2181-01	91	432 2649-05	19	432 2650-58	21
432 1858-01	13	432 2182-04	9	432 2649-06	19	432 2650-59	21
432 1858-02	13	432 2185-01	79	432 2649-07	19	432 2650-60	21
432 1874-01	13	432 2185-01	81	432 2649-20	19	432 2650-61	21
432 1890-01	13	432 2196-01	55	432 2649-21	19	432 2650-62	21
432 1950-02	13	432 2196-01	57	432 2649-22	19	432 2650-63	21
432 1951-01	13	432 2198-01	7	432 2649-23	19	432 2650-64	21
432 1955-01	13	432 2198-02	13	432 2649-23	27	432 2650-65	21
432 1956-01	13	432 2200-61	9	432 2649-24	19	432 2650-66	21
432 1960-01	15	432 2200-62	9	432 2649-24	27	432 2650-67	21
432 1962-01	13	432 2200-63	9	432 2649-25	19	432 2650-68	21
432 2015-01	35	432 2200-64	9	432 2649-26	19	432 2650-69	21
432 2016-01	19	432 2200-65	9	432 2649-27	19	432 2650-70	21
432 2016-01	27	432 2200-66	9	432 2649-28	19	432 2650-71	21
432 2024-01	33	432 2200-67	9	432 2650-02	19	432 2650-72	21
432 2044-01	9	432 2200-70	9	432 2650-03	19	432 2650-73	21
432 2044-02	9	432 2204-01	79	432 2650-04	19	432 2650-74	21
432 2044-10	9	432 2204-01	83	432 2650-05	19	432 2650-75	21
432 2068-01	9	432 2301-01	61	432 2650-06	19	432 2650-76	23
432 2076-01	9	432 2306-01	61	432 2650-07	19	432 2650-77	23
432 2107-01	9	432 2308-01	61	432 2650-08	19	432 2650-78	23
432 2121-02	9	432 2401-01	73	432 2650-09	19	432 2650-79	23
432 2131-07	9	432 2404-01	73	432 2650-10	19	432 2650-80	23
432 2138-01	25	432 2405-01	73	432 2650-11	19	432 2650-81	23
432 2138-01	31	432 2406-01	73	432 2650-12	19	432 2650-82	23
432 2138-01	33	432 2407-01	73	432 2650-13	19	432 2650-83	23
432 2138-01	35	432 2409-01	73	432 2650-14	19	432 2650-84	23
432 2150-01	25	432 2501-01	65	432 2650-16	19	432 2650-85	23

Numerical index/Nummerregister

Art.No/Art.nr	Page/Sida	Art.No/Art.nr	Page/Sida	Art.No/Art.nr	Page/Sida	Art.No/Art.nr	Page/Sida
432 2650-86	23	432 2652-17	23	432 2851-10	35	432 3031-02*	89
432 2650-87	23	432 2652-18	23	432 2851-11	35	432 3037-01	91
432 2650-88	23	432 2652-19	23	432 2851-13	35	432 3040-01	29
432 2650-89	23	432 2652-20	23	432 2851-14	35	432 3071-02	55
432 2650-90	23	432 2652-21	23	432 2851-16	35	432 3072-02	57
432 2650-91	23	432 2652-22	23	432 2851-17	35	432 3082-15	41
432 2650-92	23	432 2652-23	23	432 2851-19	35	432 3082-16	41
432 2650-93	23	432 2652-24	23	432 2851-25	35	432 3082-17	41
432 2650-94	23	432 2652-25	23	432 2851-40	35	432 3082-19	37
432 2650-95	23	432 2652-26	23	432 2851-41	35	432 3082-19	41
432 2650-96	23	432 2652-27	23	432 2851-43	35	432 3082-25	59
432 2650-97	23	432 2652-28	25	432 2851-44	35	432 3082-26	37
432 2650-98	23	432 2652-29	25	432 2851-46	35	432 3082-34	89
432 2651-06	27	432 2652-30	25	432 2851-47	35	432 3082-37	55
432 2651-07	27	432 2652-31	25	432 2851-49	35	432 3082-40	75
432 2651-08	27	432 2652-32	25	432 2851-50	35	432 3082-41	39
432 2651-09	27	432 2652-33	25	432 2851-52	35	432 3082-42	37
432 2651-10	27	432 2652-34	25	432 2851-53	35	432 3082-43	41
432 2651-11	27	432 2652-35	25	432 2851-54	35	432 3082-44	75
432 2651-12	27	432 2652-36	25	432 2851-55	35	432 3082-46	43
432 2651-13	27	432 2652-37	25	432 2851-80	35	432 3082-46	47
432 2651-14	27	432 2652-38	25	432 2851-81	35	432 3082-46	51
432 2651-15	27	432 2652-39	25	432 2851-85	35	432 3082-47	37
432 2651-16	27	432 2652-40	25	432 2851-86	35	432 3082-47	41
432 2651-17	27	432 2652-41	25	432 2903-02*	69	432 3082-50	41
432 2651-18	27	432 2720-01	19	432 2905-01	15	432 3082-51	37
432 2651-19	27	432 2720-01	27	432 2930-01	29	432 3082-51	41
432 2651-20	27	432 2720-02	19	432 2931-02	87	432 3082-52	43
432 2651-21	27	432 2720-02	27	432 2931-02	89	432 3082-52	47
432 2651-22	27	432 2720-03	19	432 2932-01	87	432 3082-53	43
432 2651-23	27	432 2720-03	27	432 2933-02	95	432 3082-53	47
432 2651-24	27	432 2720-04	19	432 2933-03	95	432 3082-54	43
432 2651-25	27	432 2720-04	27	432 2937-01	91	432 3082-54	47
432 2651-26	29	432 2720-05	19	432 2940-01	29	432 3082-54	51
432 2651-27	29	432 2720-05	27	432 2945-01	59	432 3082-55	85
432 2651-28	29	432 2720-06	19	432 2951-01	7	432 3082-56	41
432 2651-29	29	432 2720-06	27	432 2951-05	7	432 3082-58	37
432 2651-30	29	432 2720-08	19	432 2953-06	7	432 3082-58	43
432 2651-31	29	432 2720-08	27	432 2954-03	59	432 3082-58	47
432 2651-32	29	432 2720-09	19	432 2954-04	59	432 3082-58	51
432 2651-33	29	432 2720-09	27	432 2954-13	59	432 3082-59	39
432 2651-34	29	432 2720-10	19	432 2954-14	59	432 3082-65	43
432 2651-35	29	432 2720-10	27	432 2958-01	71	432 3082-65	47
432 2651-36	29	432 2720-11	19	432 2961-01	55	432 3082-65	51
432 2651-37	29	432 2720-11	27	432 2961-01	57	432 3082-71	83
432 2651-38	29	432 2720-12	19	432 2961-02	55	432 3082-74	7
432 2651-39	29	432 2720-12	27	432 2961-02	57	432 3082-78	37
432 2651-40	29	432 2720-13	19	432 2965-01	55	432 3082-78	39
432 2651-41	29	432 2720-13	27	432 2965-01	57	432 3082-86	59
432 2651-42	29	432 2720-14	19	432 2965-02	55	432 3082-89	37
432 2651-43	29	432 2720-14	27	432 2965-02	57	432 3082-89	41
432 2651-44	29	432 2720-15	19	432 2971-02	55	432 3082-99	43
432 2651-45	29	432 2720-15	27	432 2972-02	57	432 3082-99	47
432 2651-46	29	432 2720-17	19	432 2981-01	39	432 3082-99	51
432 2651-47	29	432 2720-17	27	432 2982-02	59	432 3083-13	43
432 2652-06	23	432 2750-01	33	432 2982-10*	69	432 3083-13	47
432 2652-07	23	432 2802-01	35	432 2982-20	31	432 3083-13	51
432 2652-08	23	432 2802-40	35	432 2982-20	85	432 3083-16	43
432 2652-09	23	432 2802-80	35	432 2983-02	59	432 3083-16	47
432 2652-10	23	432 2844-01	9	432 2984-01	59	432 3083-16	51
432 2652-11	23	432 2851-01	35	432 2985-01	7	432 3083-30	41
432 2652-12	23	432 2851-02	35	432 2986-01	59	432 3083-32	41
432 2652-13	23	432 2851-04	35	432 2994-01	17	432 3083-36	17
432 2652-14	23	432 2851-05	35	432 2996-01	59	432 3083-36	37
432 2652-15	23	432 2851-07	35	432 3003-02*	69	432 3083-36	41
432 2652-16	23	432 2851-08	35	432 3031-02*	87	432 3083-36	43

Numerical index/Nummerregister

Art.No/Art.nr	Page/Sida	Art.No/Art.nr	Page/Sida	Art.No/Art.nr	Page/Sida	Art.No/Art.nr	Page/Sida
432 3083-36	47	432 3092-37	55	432 3094-41	39	432 3192-20	37
432 3083-36	51	432 3092-40	75	432 3095-04	41	432 3192-20	41
432 3083-75	39	432 3092-41	39	432 3095-05	53	432 3192-30	55
432 3083-82	43	432 3092-42	37	432 3095-15	39	432 3192-44	63
432 3083-82	47	432 3092-43	41	432 3095-25	41	432 3192-45	63
432 3084-01	83	432 3092-44	75	432 3095-27	41	432 3192-46	63
432 3084-06	75	432 3092-46	43	432 3095-31	43	432 3192-52	59
432 3084-06	89	432 3092-46	47	432 3095-31	47	432 3192-61	33
432 3084-16	41	432 3092-47	37	432 3095-31	51	432 3192-72	33
432 3084-25	41	432 3092-47	41	432 3096-10	37	432 3192-78	33
432 3084-27	85	432 3092-50	41	432 3096-13	51	432 3192-94	37
432 3084-27	89	432 3092-51	37	432 3096-14	43	432 3192-94	47
432 3084-29	51	432 3092-51	41	432 3096-14	47	432 3192-94	51
432 3084-41	39	432 3092-52	43	432 3096-15	79	432 3194-02	91
432 3085-04	41	432 3092-52	47	432 3096-15	83	432 3194-03	37
432 3085-15	39	432 3092-53	43	432 3096-15	85	432 3905-01	17
432 3085-25	41	432 3092-53	47	432 3096-17	43	432 3907-01	37
432 3085-27	41	432 3092-54	43	432 3096-17	47	432 3908-01	37
432 3085-31	43	432 3092-54	47	432 3096-92	39	432 3909-01	37
432 3085-31	47	432 3092-54	51	432 3096-93	37	432 3910-01	37
432 3085-31	51	432 3092-55	85	432 3096-93	43	432 4312-01	13
432 3086-10	37	432 3092-56	41	432 3096-93	47	432 4312-02	13
432 3086-13	51	432 3092-58	37	432 3096-93	51	432 4415-51	7
432 3086-14	43	432 3092-58	43	432 3096-94	45	438 0040-01	43
432 3086-14	47	432 3092-58	47	432 3096-94	49	438 0040-01	47
432 3086-15	79	432 3092-58	51	432 3096-94	53	438 0040-01	51
432 3086-15	83	432 3092-59	39	432 3097-05	37	438 0051-01	65
432 3086-15	85	432 3092-65	43	432 3097-06	43	438 0052-01	65
432 3086-17	43	432 3092-65	47	432 3097-06	47	438 0053-01	65
432 3086-17	47	432 3092-65	51	432 3097-06	51	438 0054-01	65
432 3086-92	39	432 3092-71	83	432 3097-07	43	438 0055-01	65
432 3086-93	37	432 3092-78	37	432 3097-07	47	438 0056-03	61
432 3086-93	43	432 3092-78	39	432 3097-07	51	438 0056-04	61
432 3086-93	47	432 3092-86	59	432 3097-08	43	438 0076-02	43
432 3086-93	51	432 3092-89	37	432 3097-08	47	438 0076-02	47
432 3086-94	45	432 3092-89	41	432 3097-08	51	438 0076-02	51
432 3086-94	49	432 3092-94	43	432 3097-09	43	438 0083-01	77
432 3086-94	51	432 3092-99	43	432 3097-09	47	438 0299-01	39
432 3087-05	37	432 3092-99	47	432 3097-09	51	438 0299-01	41
432 3087-06	43	432 3092-99	51	432 3097-20	41	438 0299-01	87
432 3087-06	47	432 3093-01	53	432 3097-31	37	438 0367-02	77
432 3087-06	51	432 3093-13	43	432 3097-92	39	438 0372-02	77
432 3087-07	43	432 3093-13	47	432 3098-31	37	438 0376-01	77
432 3087-07	47	432 3093-13	51	432 3098-31	51	438 0377-02	77
432 3087-07	51	432 3093-16	43	432 3098-32	41	438 0381-03	77
432 3087-08	43	432 3093-16	47	432 3098-51	63	438 4049-01	17
432 3087-08	47	432 3093-16	51	432 3182-02	41	438 4062-01	13
432 3087-08	51	432 3093-30	41	432 3182-20	37	438 4118-01	7
432 3087-09	43	432 3093-32	41	432 3182-20	41	438 5109-02	9
432 3087-09	47	432 3093-36	17	432 3182-30	55	438 5335-01	9
432 3087-09	51	432 3093-36	37	432 3182-43	67	438 7166-01	39
432 3087-20	41	432 3093-36	41	432 3182-44	63	438 7166-02	39
432 3087-31	37	432 3093-36	43	432 3182-45	63	438 7166-03	39
432 3087-92	39	432 3093-36	47	432 3182-46	63	438 7166-04	39
432 3088-31	37	432 3093-36	51	432 3182-52	59	438 7166-05	39
432 3088-31	51	432 3093-75	39	432 3182-61	33	438 7166-06	39
432 3088-32	41	432 3093-82	43	432 3182-72	33	438 7166-07	39
432 3088-51	63	432 3093-82	47	432 3182-78	33	438 7166-08	39
432 3092-15	41	432 3094-01	83	432 3182-93	41	438 7166-09	39
432 3092-16	41	432 3094-06	75	432 3182-94	37	438 7166-10	39
432 3092-17	41	432 3094-06	89	432 3182-94	43	438 7166-11	39
432 3092-19	37	432 3094-16	41	432 3182-94	47	438 7166-12	39
432 3092-19	41	432 3094-25	41	432 3182-94	51	438 7166-13	39
432 3092-25	59	432 3094-27	85	432 3184-02	91	438 7166-14	39
432 3092-26	37	432 3094-27	89	432 3184-03	37	438 7166-15	39
432 3092-34	89	432 3094-29	51	432 3192-02	41	438 7166-16	39

Numerical index/Nummerregister

Art.No/Art.nr	Page/Sida	Art.No/Art.nr	Page/Sida	Art.No/Art.nr	Page/Sida	Art.No/Art.nr	Page/Sida
438 7166-17	39	438 8916-39	81	438 8981-03	43	438 9201-52	97
438 7166-18	39	438 8916-40	81	438 8981-03	47	438 9201-53	97
438 7166-19	39	438 8916-41	81	438 8981-03	51	438 9201-54	97
438 7166-20	39	438 8916-42	81	438 8982-01	79	438 9201-59	97
438 7166-22	39	438 8916-44	81	438 8982-01	83	438 9201-61	97
438 7300-87	95	438 8916-45	81	438 8982-02	79	438 9201-80	97
438 7300-88	95	438 8916-47	81	438 8982-02	83	438 9201-81	97
438 7950-01	59	438 8916-48	81	438 9050-50	99	438 9201-82	97
438 7950-02	59	438 8916-49	81	438 9050-51	99	438 9201-83	97
438 8102-06	67	438 8916-50	81	438 9050-52	99	438 9201-84	97
438 8103-01	73	438 8916-51	81	438 9050-53	99	438 9201-89	99
438 8155-05	11	438 8916-52	81	438 9050-54	99	438 9201-91	99
438 8701-03	53	438 8916-53	81	438 9050-55	99	438 9555-11	37
438 8701-04	53	438 8916-55	81	438 9050-56	99	438 9555-11	39
438 8701-05	53	438 8916-56	81	438 9050-57	99	438 9555-11	43
438 8701-06	53	438 8916-57	81	438 9050-58	99	438 9555-11	47
438 8785-02	59	438 8916-58	81	438 9050-59	99	438 9555-11	51
438 8786-02	59	438 8916-59	81	438 9200-20	97	438 9555-12	37
438 8787-01	59	438 8916-60	81	438 9200-21	97	438 9555-12	39
438 8788-01	59	438 8916-63	81	438 9200-22	97	438 9555-12	43
438 8789-01	59	438 8916-64	81	438 9200-23	97	438 9555-12	47
438 8790-01	79	438 8916-65	81	438 9200-24	97	438 9555-12	51
438 8790-01	83	438 8916-66	81	438 9200-25	97	438 9561-01	15
438 8791-01	95	438 8916-67	81	438 9200-26	97	438 9636-02	55
438 8793-01	95	438 8916-68	83	438 9200-27	97	438 9636-02	57
438 8794-01	85	438 8916-69	83	438 9200-28	97	438 9636-03	55
438 8796-01	95	438 8916-70	83	438 9200-29	97	438 9636-03	57
438 8797-01	59	438 8916-71	83	438 9200-30	97	438 9636-22	59
438 8803-01	43	438 8916-72	83	438 9200-31	97	438 9636-23	59
438 8803-01	47	438 8916-73	83	438 9200-50	97	438 9642-01	51
438 8910-62	79	438 8918-01	79	438 9200-51	97	438 9643-01	43
438 8910-91	79	438 8918-02	79	438 9200-52	97	438 9644-01	47
438 8910-91	83	438 8918-03	79	438 9200-53	97	438 9645-01	51
438 8916-01	81	438 8918-04	79	438 9200-54	97	438 9648-01	75
438 8916-02	81	438 8918-05	79	438 9200-55	97	438 9648-02	75
438 8916-03	81	438 8918-06	79	438 9200-56	97	438 9650-01	43
438 8916-04	81	438 8918-07	79	438 9200-57	97	438 9650-01	47
438 8916-05	81	438 8918-09	79	438 9200-58	97	438 9650-01	51
438 8916-06	81	438 8918-10	79	438 9200-59	97	438 9650-01	91
438 8916-08	81	438 8918-12	79	438 9200-60	97	438 9670-02	59
438 8916-09	81	438 8918-13	79	438 9200-61	97	438 9678-04	59
438 8916-10	81	438 8918-14	79	438 9200-70	97	438 9678-12	59
438 8916-11	81	438 8918-15	79	438 9200-71	97	438 9678-14	59
438 8916-12	81	438 8918-16	79	438 9200-72	97	438 9700-61	17
438 8916-13	81	438 8918-17	79	438 9200-73	97	438 9700-62	17
438 8916-14	81	438 8918-18	79	438 9200-74	97	438 9709-61	17
438 8916-16	81	438 8918-19	79	438 9200-75	97	438 9709-62	17
438 8916-17	81	438 8918-20	79	438 9200-76	97	438 9709-63	17
438 8916-18	81	438 8918-21	79	438 9200-77	97	438 9710-61	17
438 8916-19	81	438 8918-22	79	438 9200-78	97	438 9710-62	17
438 8916-20	81	438 8918-23	79	438 9200-79	97	438 9719-61	17
438 8916-21	81	438 8918-24	79	438 9200-80	97	438 9719-62	17
438 8916-22	81	438 8918-25	79	438 9200-81	97	438 9719-63	17
438 8916-23	81	438 8918-26	79	438 9201-00	97	471 2265-69	43
438 8916-24	81	438 8918-27	79	438 9201-01	97	471 2265-69	47
438 8916-25	81	438 8918-28	79	438 9201-02	97	471 2265-69	51
438 8916-26	81	438 8918-29	79	438 9201-03	97	471 2265-69	67
438 8916-27	81	438 8918-30	79	438 9201-04	97	471 2440-36	43
438 8916-29	81	438 8919-01	83	438 9201-05	97	471 2440-36	47
438 8916-30	81	438 8919-02	83	438 9201-06	97	471 2440-36	51
438 8916-31	81	438 8981-01	43	438 9201-07	97	471 2442-42	67
438 8916-34	81	438 8981-01	47	438 9201-08	97	471 2464-18	45
438 8916-35	81	438 8981-01	51	438 9201-09	97	471 2464-18	49
438 8916-36	81	438 8981-02	43	438 9201-11	97	471 2464-18	51
438 8916-37	81	438 8981-02	47	438 9201-50	97	471 2464-18	67
438 8916-38	81	438 8981-02	51	438 9201-51	97	471 2937-01	71

Numerical index/Nummerregister

Art.No/Art.nr	Page/Sida	Art.No/Art.nr	Page/Sida	Art.No/Art.nr	Page/Sida	Art.No/Art.nr	Page/Sida
471 4074-01	93	471 8139-16	67	471 8780-03	93	472 6761-01	61
471 4601-01	95	471 8164-01	77	471 8780-31	95	472 9320-01	93
471 4647-66	17	471 8175-01	61	471 8780-32	95	472 9913-01	13
471 4660-18	77	471 8192-01	7	471 8780-33	93	472 9913-16	11
471 4660-19	77	471 8194-01	77	471 8781-02	95	472 9913-20	79
471 4660-82	77	471 8195-01	65	471 8781-11	95	472 9913-20	81
471 4670-83	77	471 8196-01	9	471 8792-01	39	472 9913-22	7
471 4672-67	9	471 8199-01	61	471 8793-01	39	472 9913-43	37
471 4731-12	91	471 8210-70	63	471 8859-14	43	472 9913-43	39
471 4792-01	61	471 8210-71	63	471 8859-14	47	472 9913-43	43
471 4835-01	67	471 8210-78	63	471 8859-14	51	472 9913-43	47
471 4835-01	77	471 8210-79	63	471 8861-01	37	472 9913-43	51
471 4904-02	75	471 8215-01	69	471 8861-01	39	472 9913-44*	17
471 6860-15	63	471 8215-01	77	471 8861-01	43	472 9913-72	15
471 6860-16	63	471 8215-03	69	471 8861-01	47	472 9915-25	9
471 6860-17	63	471 8240-63	63	471 8861-01	51	472 9915-26	9
471 6860-18	63	471 8240-69	63	471 8910-90	79	472 9915-75	9
471 6860-19	63	471 8240-90	63	471 8910-90	83	472 9915-76	9
471 6860-20	63	471 8240-91	63	471 8988-11	37	472 9919-17	87
471 7182-26	55	471 8243-04	67	471 8991-01	87	472 9919-17	89
471 7182-26	57	471 8243-05	67	471 8992-13	55	487 0178-00	29
471 7474-22	89	471 8243-07	67	471 8993-01	39	487 0178-02	29
471 7565-21	9	471 8243-08	67	471 8995-11*	39	487 0178-04	29
471 7701-13	17	471 8243-10	67	471 8995-12*	39	487 0178-06	29
471 7705-09	17	471 8279-03	71	471 8997-03*	39	487 0178-20	29
471 7705-10	17	471 8279-08	71	471 9209-10	77	487 0178-22	29
471 7801-07	65	471 8323-01	11	471 9222-59	11	487 0178-24	29
471 7807-02	7	471 8328-02	11	471 9529-05	55	487 0178-26	29
471 7807-02	11	471 8342-16	87	471 9529-05	57	487 0178-28	29
471 7817-01	79	471 8342-47	15	471 9550-54	7	487 0178-30	29
471 7817-01	83	471 8344-35	9	471 9550-59	7	725 2289-61	75
471 7826-10	9	471 8344-36	13	471 9558-12	37	725 2366-61	13
471 7826-20	9	471 8356-08	17	471 9628-32	33	725 2465-71	7
471 7859-12	59	471 8404-02	13	471 9628-33	33	728 8362-11	13
471 7859-16	59	471 8458-02	9	471 9628-71*	87	731 2312-01	79
471 7864-01	9	471 8458-02	13	471 9628-71*	89	731 2312-01	83
471 7867-01	17	471 8471-01	13	471 9628-75*	87	732 2112-01	25
471 7871-04	61	471 8502-10	17	471 9628-75*	89	732 2112-01	29
471 7871-04	65	471 8502-24	17	471 9628-85*	87	732 2112-01	75
471 7871-07	67	471 8502-34	11	471 9628-85*	89	732 2112-01	85
471 7871-07*	69	471 8527-01	13	471 9636-02	93	732 2112-01	87
471 7873-02	67	471 8611-00	77	471 9636-03	93	732 2112-01	89
471 7877-01	85	471 8613-01	77	471 9646-01	91	732 2112-01	91
471 7877-01	87	471 8613-02	77	471 9646-02	91	732 2116-42	65
471 7958-02	37	471 8614-02	77	471 9652-01	51	732 2118-01	7
471 7958-02	39	471 8624-01	71	471 9652-02	43	732 2118-01	11
471 7958-02	43	471 8637-03	17	471 9652-02	47	732 2122-01	17
471 7958-02	47	471 8641-02	9	471 9652-02	51	734 1153-09	65
471 7958-02	51	471 8644-02	61	471 9677-01*	87	735 2136-01	75
471 7958-02	55	471 8665-02	77	471 9677-01*	89	735 2153-01	9
471 7958-02	59	471 8688-13	61	471 9678-94	59	735 3147-00	11
471 7958-02	79	471 8688-13	65	471 9679-01	15	735 9630-01	11
471 7958-02	83	471 8693-21	61	471 9680-01	95	736 2816-51	61
471 7958-02	85	471 8695-01	71	471 9821-99	7	736 2819-90	77
471 7958-02	87	471 8697-01	71	471 9822-21	7	736 2825-51	61
471 7958-02	89	471 8750-11	39	471 9822-22	7	736 2825-51	67
471 7958-02	91	471 8750-11	59	471 9822-23	7	736 2825-90	77
471 7958-02	95	471 8759-01	59	471 9822-24	7	736 2831-51	67
471 7967-02	9	471 8759-51	59	471 9823-41	7	736 2837-51	67
471 7977-03	9	471 8760-01	93	471 9827-21	7	736 2840-51	67
471 8118-07	67	471 8760-02	93	471 9827-22	7	736 2846-51	61
471 8124-09	67	471 8767-01	59	471 9827-23	7	736 2846-51	67
471 8126-38	71	471 8772-01	93	471 9827-24	7	736 2846-51*	69
471 8128-53	77	471 8778-01	93	472 6082-02	43	736 2846-51	77
471 8128-65	67	471 8780-01	95	472 6082-02	47	740 4206-00	61
471 8139-01	67	471 8780-02	95	472 6082-02	51	741 5109-25	61

Numerical index/Nummerregister

Art.No/Art.nr	Page/Sida	Art.No/Art.nr	Page/Sida	Art.No/Art.nr	Page/Sida	Art.No/Art.nr	Page/Sida
744 3113-06	71						
762 1182-10	59						
762 1215-10	59						
762 8141-90	89						
762 8141-90	91						
762 9102-05	61						
767 5101-92	57						
877 5211-08	61						
877 5211-08	77						
877 5252-01	77						



ELECTROLUX LAUNDRY SYSTEMS

ELECTROLUX LAUNDRY SYSTEMS SWEDEN AB
341 80 Ljungby, Sweden. Telephone +46 372 661 00. Telefax +46 372 133 90
Internet: www.electrolux-wascator.com E-mail: els.info@electrolux.se