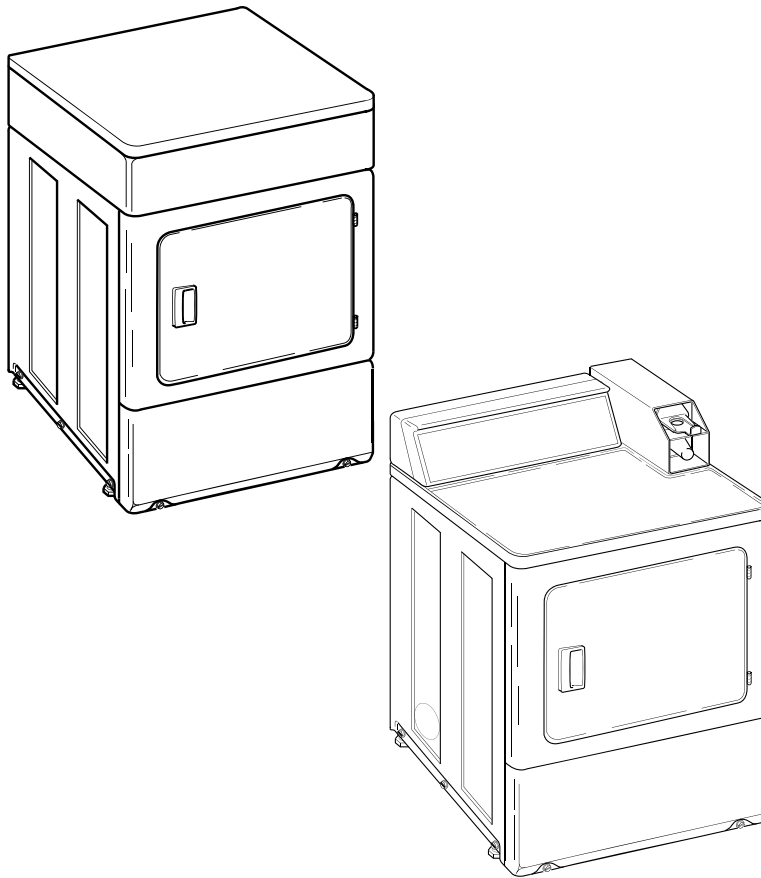


# Commercial Dryers

Metered and Nonmetered  
Refer to Page 5 for Model Numbers



DRY692C\_506055



# Table of Contents

Title	Page
Parts Ordering Information.....	3
Nameplate Location.....	3
Model Identification.....	5
Graphic Overlays and Controls - Electromechanical Rear Control Models.....	6
Control Hood - Electromechanical Rear Control Models.....	8
Control Panel, Control Hood and Controls - Nonmetered Rear Control Models.....	10
Control Panel and Control Hood - Coin Slide Rear Control Models.....	12
Control Panel and Controls - Electronic Rear Control Models.....	14
Control Panel and Controls - Rear Control Coin Drop Models.....	16
Control Panel and Controls - Rear Control Card Models.....	18
Timer and Timer Case - Nonmetered Rear Control Models.....	20
Short Vault Coin Slide Extension and Meter Case - Coin Slide Rear Control Models.....	22
Long Vault Coin Slide Extension and Meter Case - Coin Slide Rear Control Models.....	24
Control, Coin Slide Extension, Meter Case and Service Door - Coin Slide Rear Control Models.....	26
Non-Electronic Coin Drop - Rear Control Models.....	28
Electronic Coin Drop - Rear Control Models.....	30
Meter Case - Rear Control Coin Drop Models.....	32
Card Reader and Security Case - Rear Control Models.....	34
Cabinet Top - Rear Control Models (Drawing 1 of 2).....	36
Cabinet Top - Rear Control Models (Drawing 2 of 2).....	38
Control Panel and Controls - Coin Slide Ready Front Control Models.....	40
Control Panel and Controls - Coin Drop and Card Front Control Models (Drawing 1 of 2).....	42
Control Panel and Controls - Coin Drop and Card Front Control Models (Drawing 2 of 2).....	44
Non-Electronic Coin Drop - Front Control Models.....	46
Electronic Coin Drop - Front Control Models.....	48
Control Cabinet Controls - Front Control Coin Drop Models.....	50
Control Cabinet Controls - Front Control Card Reader Ready Models.....	52
Card Reader - Front Control Card Reader Ready and Installed Models.....	54
Cabinet Top - Front Control Coin Slide, Coin Drop Ready and Card Reader Ready Models.....	56
Control Cabinet - Front Control Non-Vend Models.....	58
Cabinet Top - Front Control Coin Drop and Card Reader Installed Models.....	60
Accumulator - Coin Slide Models.....	62
Loading Door with Window.....	64
Loading Door without Window.....	66
Access Panel.....	68
Front Panel and Seal.....	70
Motor, Exhaust Fan and Belt (Drawing 1 of 2).....	72
Motor, Exhaust Fan and Belt (Drawing 2 of 2).....	74
Thermistor and Thermostat.....	76
Front Bulkhead, Air Duct, Felt Seal and Cylinder with Light.....	78
Front Bulkhead, Air Duct, Felt Seal and Cylinder without Light.....	80

© Copyright 2007, Alliance Laundry Systems LLC

All rights reserved. No part of the contents of this book may be reproduced or transmitted in any form or by any means without the expressed written consent of the publisher.

Rear Bulkhead, Felt Seal, Cylinder Roller and Terminal Block - 3 Phase .....	82
Rear Bulkhead, Felt Seal, Cylinder Roller and Terminal Block - 1 Phase .....	84
Heater Duct Assembly - 3 Phase .....	86
Heater Duct and Element Assembly - 1 Phase.....	88
Heater Duct Assembly .....	90
Gas Valve, Igniter, Ignition Control and Gas Conversion Kits.....	92
Gas Valve, Igniter and Gas Conversion Kits.....	94
Cabinet, Exhaust Duct and Base .....	96
Contactors and Transformer .....	98
Power Cord .....	100
Strain Relief .....	102
Terminal Block and Terminals .....	104
Terminals .....	106
Motor Connection Block and Tools .....	108
Wire Harnesses and Wires - Front Control .....	110
Wire Harnesses and Wires - Rear Control.....	112
Wire Harnesses .....	114
Parts Index.....	117

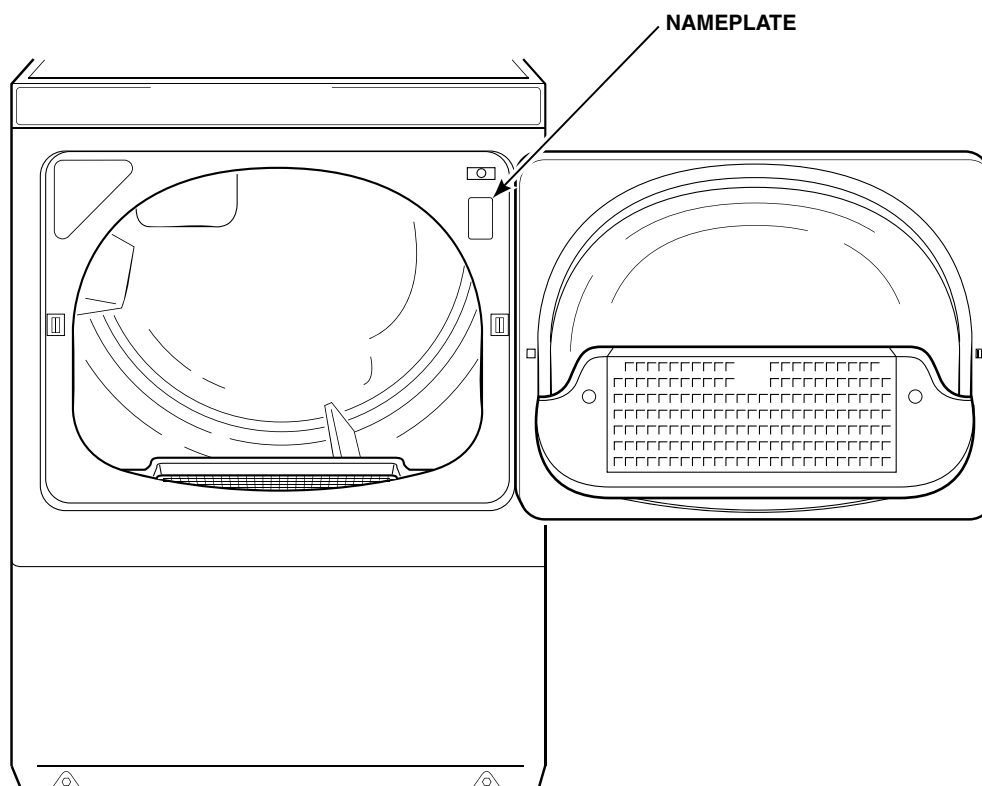
## Parts Ordering Information

If literature or replacement parts are required, contact the source from whom the machine was purchased or contact Alliance Laundry Systems at (920) 748-3950 for the name and address of the nearest authorized parts distributor.

For technical assistance, call (920) 748-3121.

## Nameplate Location

When calling or writing about your product, be sure to mention model and serial numbers. Model and serial numbers are located on nameplate(s) as shown.



D412P\_506055



## Model Identification

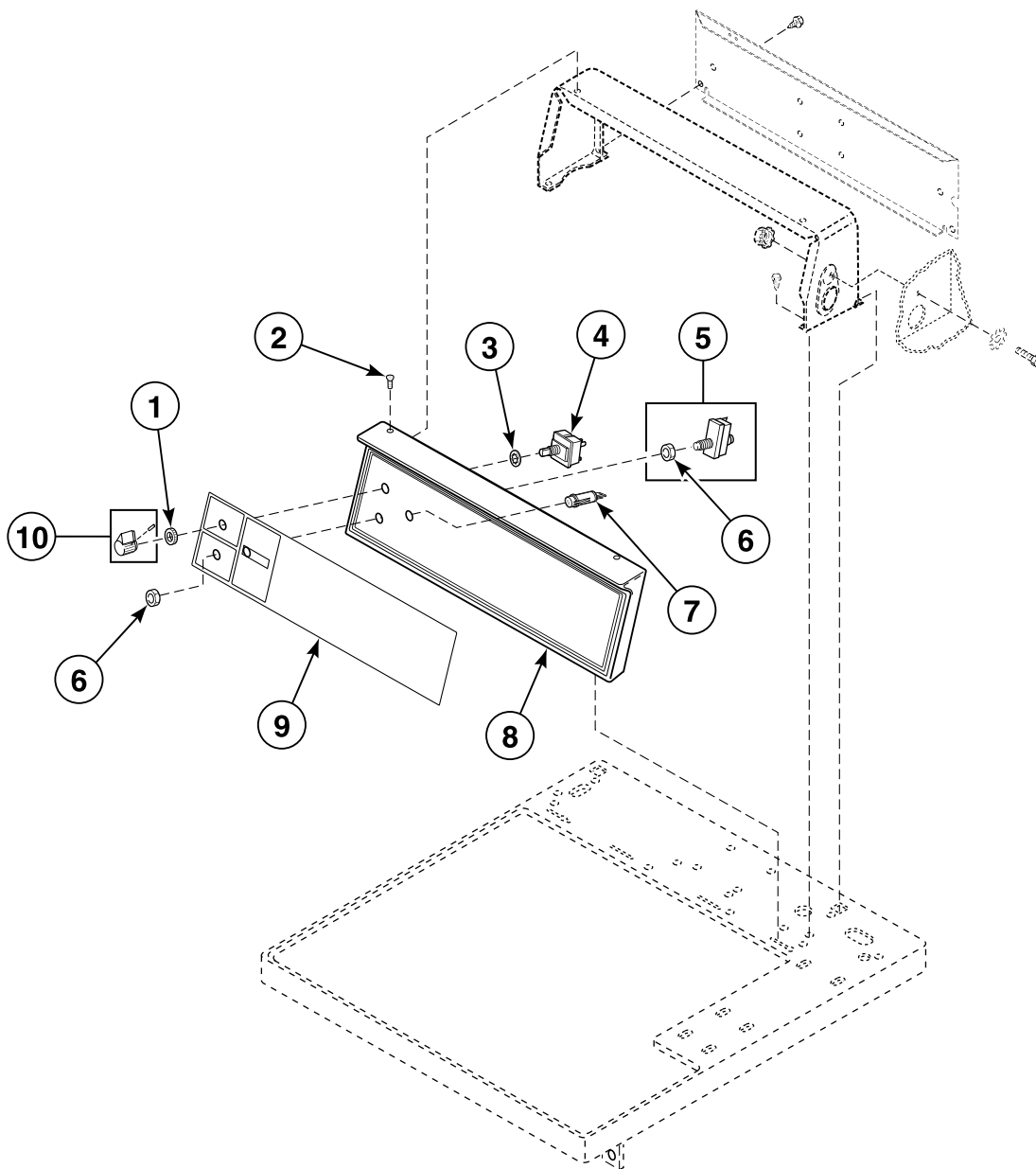
Information in this manual is applicable to these dryer models:

BDG809*F1102	HDER07*F1502	HFE167*G4018	NFEL47*G4018	SDG009*F3000
BDG909*F1102	HDER07*F1702	HFE507*F1702	NFEL67*G4018	SDG009*F3058
BFEL07*G4018	HDET07*F1502	HFE707*F1702	NFEX07*G3018	SDG009*F3060
BFEX07*G4018	HDET07*F1702	HFEB07*J1702	NFEX07*G4018	SDG109*F3000
FDE807*G3018	HDEX07*F1502	HFEL47*G4018	NFGL49*M3013	SDG109*F3058
FDE807*G4018	HDEX07*F1702	HFEL67*G4018	NFGX09*M3013	SDG109*F3060
GDE807*G3018	HDEX07*F3000	HFEX07*F1702	PDE807*G3018	SDG109*F5412
GDE907*G3018	HDEX07*G3018	HFEX07*F1702	PDE807*G4018	SDG109*G3013
HDE007*F1702	HDEY07*F1502	HFG509*F1102	PDG809*M3013	SDG109*M3013
HDE007*F3000	HDEY07*F1702	HFG709*F1102	SDE007*F3000	SDG409*F3000
HDE007*G3003	HDEY07*F99N2	HFGX09*F1102	SDE007*F4350	SDG409*F3058
HDE007*G3008	HDEZ07*F1502	HFGX09*M3013	SDE007*G3018	SDG809*F3060
HDE007*G3010	HDEZ07*F1702	JDE807*F4350	SDE107*F3000	SDG909*F3060
HDE007*G4008	HDG009*F1102	JDE807*G3018	SDE107*F4350	SDG909*F5412
HDE007*G4010	HDG009*F3000	JDE907*F4350	SDE107*F5412	SDG909*M3013
HDE107*F1502	HDG009*G3008	JDE907*G3018	SDE107*F5417	SDGF09*J3060
HDE107*F1702	HDG009*M3008	JDG809*F3060	SDE107*G3018	SDGX09*F3000
HDE107*F3000	HDG109*F1102	JDG809*M3020	SDE107*G4018	SDGX09*F3060
HDE107*G3003	HDG109*F3000	JDG909*F3060	SDE407*F3000	SDGX09*M3013
HDE107*G3018	HDG109*G3013	JDG909*M3020	SDE407*F4350	SFEL67*G4018
HDE107*G4018	HDG109*M3013	KFET17NF1702	SDE807*F3000	SFEX07*F3300
HDE507*F1502	HDG509*F1102	KFEX17NG3018	SDE807*F4350	SFEX07*F4350
HDE507*F1702	HDG709*F1102	KFEX17NG4018	SDE907*F3000	SFEX07*G3018
HDE707*F1502	HDG809*F1102	KFEY17NF1702	SDE907*F4350	SFEX07*G4018
HDE707*F1702	HDG909*F1102	KFEY17NG3018	SDE907*F5412	SFEX67*G4018
HDE807*F1702	HDGB09*J1102	KFEY17NG4018	SDE907*G3018	SFEY07*G4018
HDE907*F1502	HDGF09*J1102	KFGT19NF1102	SDE907*G4018	SFGX09*M3013
HDE907*F1702	HDGR09*F1102	KFGX19NM3020	SDEA07*J3000	UDE007*F3000
HDE907*G3018	HDGT09*F1102	KFGY19NF1102	SDEA07*J4350	UDE007*F3025
HDE907*G4018	HDGX09*F1102	KFGY19NM3020	SDEF07*J4350	UDG009*F3000
HDEB07*J1502	HDGX09*F3000	NDE007*G3018	SDEX07*F3000	UDG009*F3025
HDEB07*J1702	HDGX09*M3013	NDE007*G4018	SDEX07*F4350	
HDEF07*J1502	HDGY09*F1102	NDE807*G3018	SDEX07*G3018	
HDEF07*J1702	HDGZ09*F1102	NDE807*G4018	SDEX07*G4018	

\* Add Letter To Designate Color. G - Gray L - Almond Q - Bisque W - White

# Graphic Overlays and Controls - Electromechanical Rear Control Models

Models HDE007\*F1702, HDE007\*F3000, HDE007\*G3003, HDE007\*G3008, HDE007\*G3010, HDE007\*G4008, HDE007\*G4010, HDE107\*F1502, HDE107\*F1702, HDE107\*F3000, HDE107\*G3003, HDE107\*G3018, HDE107\*G4018, HDG009\*F1102, HDG009\*F3000, HDG009\*G3008, HDG009\*M3008, HDG109\*F1102, HDG109\*F3000, HDG109\*G3013, HDG109\*M3013, NDE007\*G3018, NDE007\*G4018, SDE007\*F3000, SDE007\*F4350, SDE007\*G3018, SDE107\*F3000, SDE107\*F4350, SDE107\*F5412, SDE107\*F5417, SDE107\*G3018, SDE107\*G4018, SDG009\*F3000, SDG009\*F3058, SDG009\*F3060, SDG109\*F3000, SDG109\*F3058, SDG109\*F3060, SDG109\*F5412, SDG109\*G3013, SDG109\*M3013, UDE007\*F3000, UDE007\*F3025, UDG009\*F3000 and UDG009\*F3025



DRY1854P\_506055



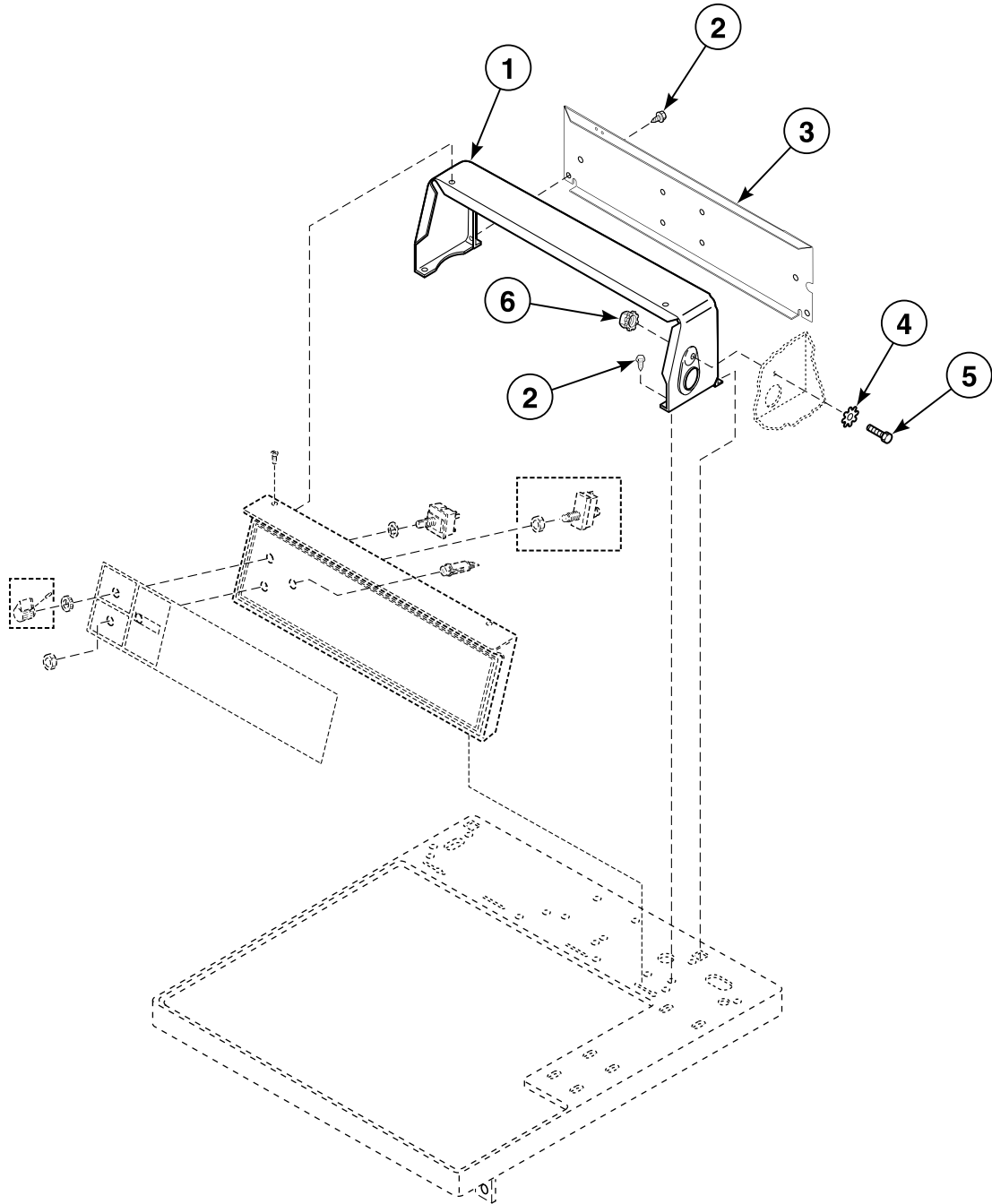
## Graphic Overlays and Controls - Electromechanical Rear Control Models

REF	PART NO.	DESCRIPTION	COMMENTS
1	24205	Nut	
2	52864	Screw	
	35528	Screw	Optional for added security
3	91176	Washer	
4	61512	Fabric Selector Switch	
5	55882	Switch Assembly	Includes item 6
6	52947	Nut	
7	38280	Indicator Light	Red; Models HDE007*G3003, HDE007*G3008, HDE007*G3010, HDE007*G4008, HDE007*G4010, HDE107*G3003, HDE107*G3018, HDE107*G4018, HDG009*M3008, HDG109*M3013, NDE007*G3018, NDE007*G4018, SDE007*G3018, SDE107*G3018, SDE107*G4018 and SDG109*M3013
	36967	Light	Green; Models HDG009*G3008, HDG109*G3013 and SDG109*G3013
	32464	Light	White; Models HDE007*F1702, HDE107*F1502, HDE107*F1702, HDG009*F1102 and HDG109*F1102
	32519	Light	Purple; All other models
8	501738W	Control Panel and Bracket Assembly	White
	501738L	Control Panel and Bracket Assembly	Almond
	501738Q	Control Panel and Bracket Assembly	Bisque
9	511898	Graphic Overlay	Models UDE007*F3000, UDE007*F3025, UDG009*F3000 and UDG009*F3025
	511901	Graphic Overlay	Models HDE107*G3018, HDE107*G4018, HDG109*G3013 and HDG109*M3013
	511904	Graphic Overlay	Models HDE007*G3008, HDE007*G3010, HDE007*G4008, HDE007*G4010, HDG009*G3008, HDG009*M3008, NDE007*G3018, NDE007*G4018 and SDE107*G4018
	511897	Graphic Overlay	Models SDE107*F5412, SDE107*F5417 and SDG109*F5412
	511900	Graphic Overlay	Models HDE007*F1702, HDE007*F3000, HDE107*F1502, HDE107*F1702, HDE107*F3000, HDG009*F1102, HDG009*F3000, HDG109*F1102 and HDG109*F3000
	511905	Graphic Overlay	Models HDE007*G3003 and HDE107*G3003
	511896	Graphic Overlay	Models SDE007*G3018, SDE107*G3018, SDG109*G3013 and SDG109*M3013
	511895	Graphic Overlay	All other models
10	39897	Switch Knob	

\* Add Letter To Designate Color. G - Gray L - Almond Q - Bisque W - White

# Control Hood - Electromechanical Rear Control Models

Models HDE007\*F1702, HDE007\*F3000, HDE007\*G3003, HDE007\*G3008, HDE007\*G3010, HDE007\*G4008, HDE007\*G4010, HDE107\*F1502, HDE107\*F1702, HDE107\*F3000, HDE107\*G3003, HDE107\*G3018, HDE107\*G4018, HDG009\*F1102, HDG009\*F3000, HDG009\*G3008, HDG009\*M3008, HDG109\*F1102, HDG109\*F3000, HDG109\*G3013, HDG109\*M3013, NDE007\*G3018, NDE007\*G4018, SDE007\*F3000, SDE007\*F4350, SDE007\*G3018, SDE107\*F3000, SDE107\*F4350, SDE107\*F5412, SDE107\*F5417, SDE107\*G3018, SDE107\*G4018, SDG009\*F3000, SDG009\*F3058, SDG009\*F3060, SDG109\*F3000, SDG109\*F3058, SDG109\*F3060, SDG109\*F5412, SDG109\*G3013, SDG109\*M3013, UDE007\*F3000, UDE007\*F3025, UDG009\*F3000 and UDG009\*F3025



DRY1855P\_506055

## Control Hood - Electromechanical Rear Control Models

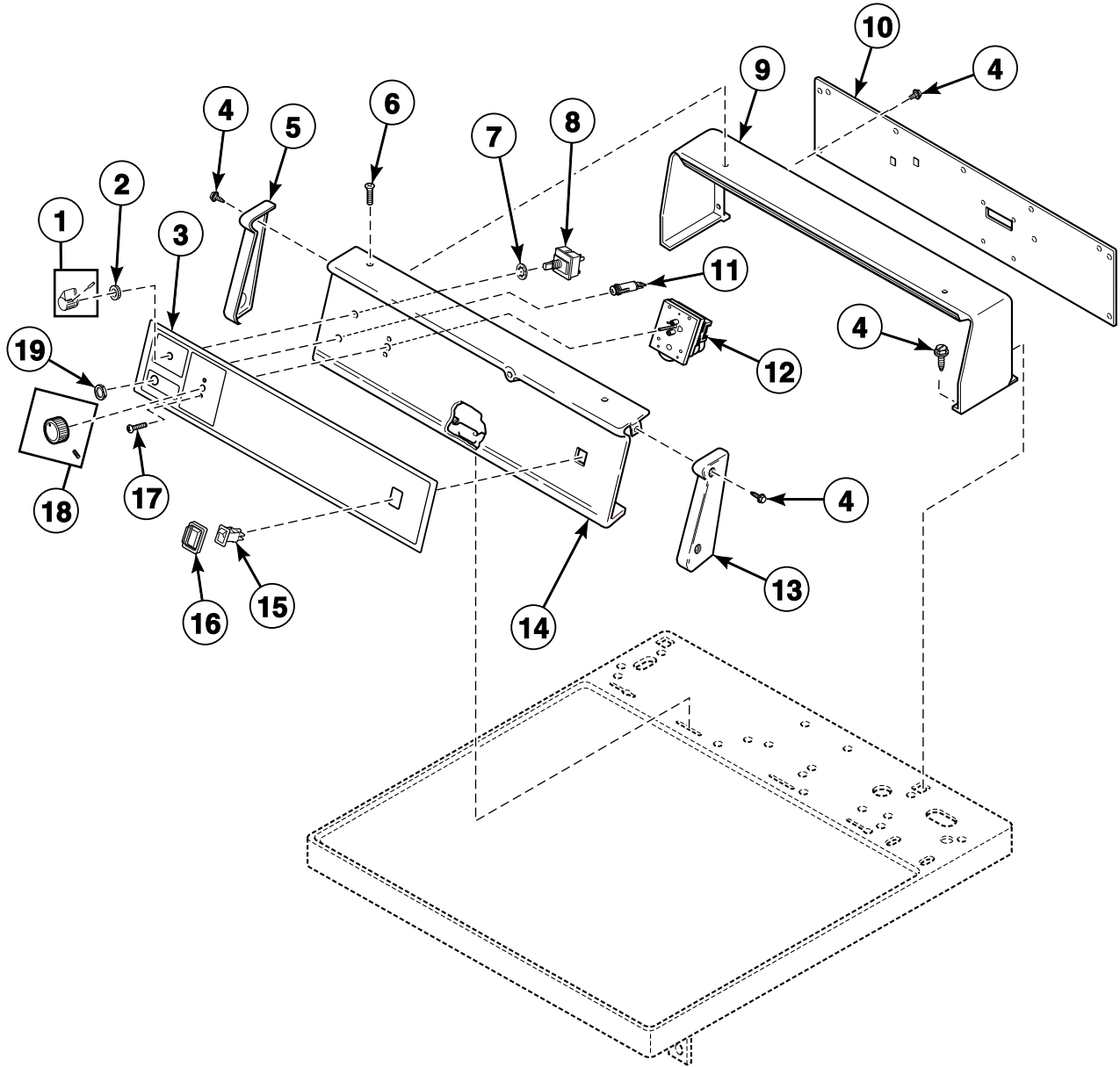
REF	PART NO.	DESCRIPTION	COMMENTS
1	502567W	Control Hood	White
	502567L	Control Hood	Almond
	502567Q	Control Hood	Bisque
2	501086	Screw	
3	N/A	Hood Back Panel	Models HDE007*G3003, HDE007*G3008, HDE007*G3010, HDE007*G4008, HDE007*G4010, HDE107*G3003, HDE107*G3018, HDE107*G4018, HDG009*G3008, HDG009*M3008, HDG109*G3013, HDG109*M3013, NDE007*G3018, NDE007*G4018, SDE007*G3018, SDE107*G3018, SDE107*G4018, SDG109*G3013, SDG109*M3013 and UDE007*F3025
	505798	Hood Back Plate	All other models
4	M400017	Washer	
5	02916	Screw	
6	29786	Nut	

\* Add Letter To Designate Color. G - Gray L - Almond Q - Bisque W - White

N/A = Part no longer available

# Control Panel, Control Hood and Controls - Nonmetered Rear Control Models

Models BDG809\*F1102, FDE807\*G3018, FDE807\*G4018, GDE807\*G3018, HDE807\*F1702, HDG809\*F1102, JDE807\*F4350, JDE807\*G3018, JDG809\*F3060, JDG809\*M3020, NDE807\*G3018, NDE807\*G4018, PDE807\*G3018, PDE807\*G4018, PDG809\*M3013, SDE807\*F3000, SDE807\*F4350 and SDG809\*F3060



DRY2099P\_506055

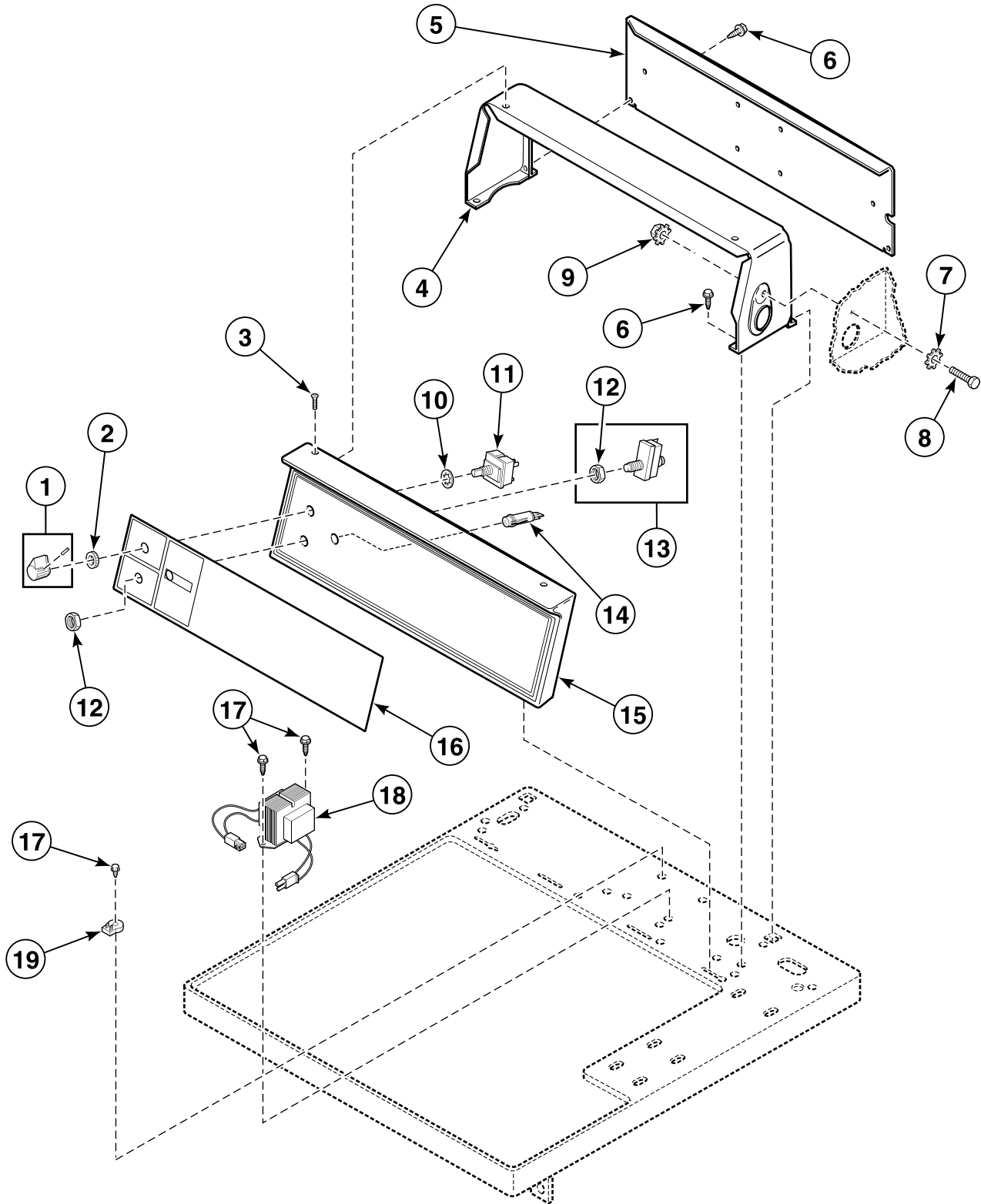
## Control Panel, Control Hood and Controls - Nonmetered Rear Control Models

REF	PART NO.	DESCRIPTION	COMMENTS
1	39897	Switch Knob	
2	24205	Nut	
3	512679	Control Panel Overlay	Models JDE807*F4350, JDE807*G3018, JDG809*F3060 and JDG809*M3020
	512368	Control Panel Overlay	Models SDE807*F3000, SDE807*F4350 and SDG809*F3060
	512487	Overlay	Models HDE807*F1702 and HDG809*F1102
	512927	Control Panel Overlay	Model BDG809*F1102
	512849	Graphic Overlay	Models FDE807*G3018, FDE807*G4018, PDE807*G3018, PDE807*G4018 and PDG809*M3013
	512491	Overlay	Models NDE807*G3018 and NDE807*G4018
	512492	Overlay	Model GDE807*G3018
4	501086	Screw	
5	210109W	End Cap	Left
6	52864	Screw	Phillips head
	35528	Screw	Torx head
7	91176	Washer	
8	61512	Fabric Selector Switch	
9	511253W	Control Hood	White
	511253L	Control Hood	Almond
	511253Q	Control Hood	Bisque
10	511254	Rear Panel	
11	32464	Light	
12	510524P	Timer	120 Volt/60 Hertz; Models BDG809*F1102, HDE807*F1702 and HDG809*F1102
	510525P	Timer	240 Volt/50 Hertz; All other models
13	210108W	End Cap	Right
14	512533W	Control Panel Assembly	White
	512533Q	Control Panel Assembly	Bisque
15	512562P	Rocker Switch	Refer to instructions supplied with part for proper installation
16	512870P	Push-to-Start Switch Boot	
17	27328	Screw	
18	54678	Timer Knob	
19	52947	Nut	

\* Add Letter To Designate Color. L - Almond Q - Bisque W - White

# Control Panel and Control Hood - Coin Slide Rear Control Models

Models BDG909\*F1102, GDE907\*G3018, HDE907\*F1502, HDE907\*F1702, HDE907\*G3018, HDE907\*G4018, HDG909\*F1102, JDE907\*F4350, JDE907\*G3018, JDG909\*F3060, JDG909\*M3020, SDE907\*F3000, SDE907\*F4350, SDE907\*F5412, SDE907\*G3018, SDE907\*G4018, SDG909\*F3060, SDG909\*F5412 and SDG909\*M3013



DRY2055P\_506055

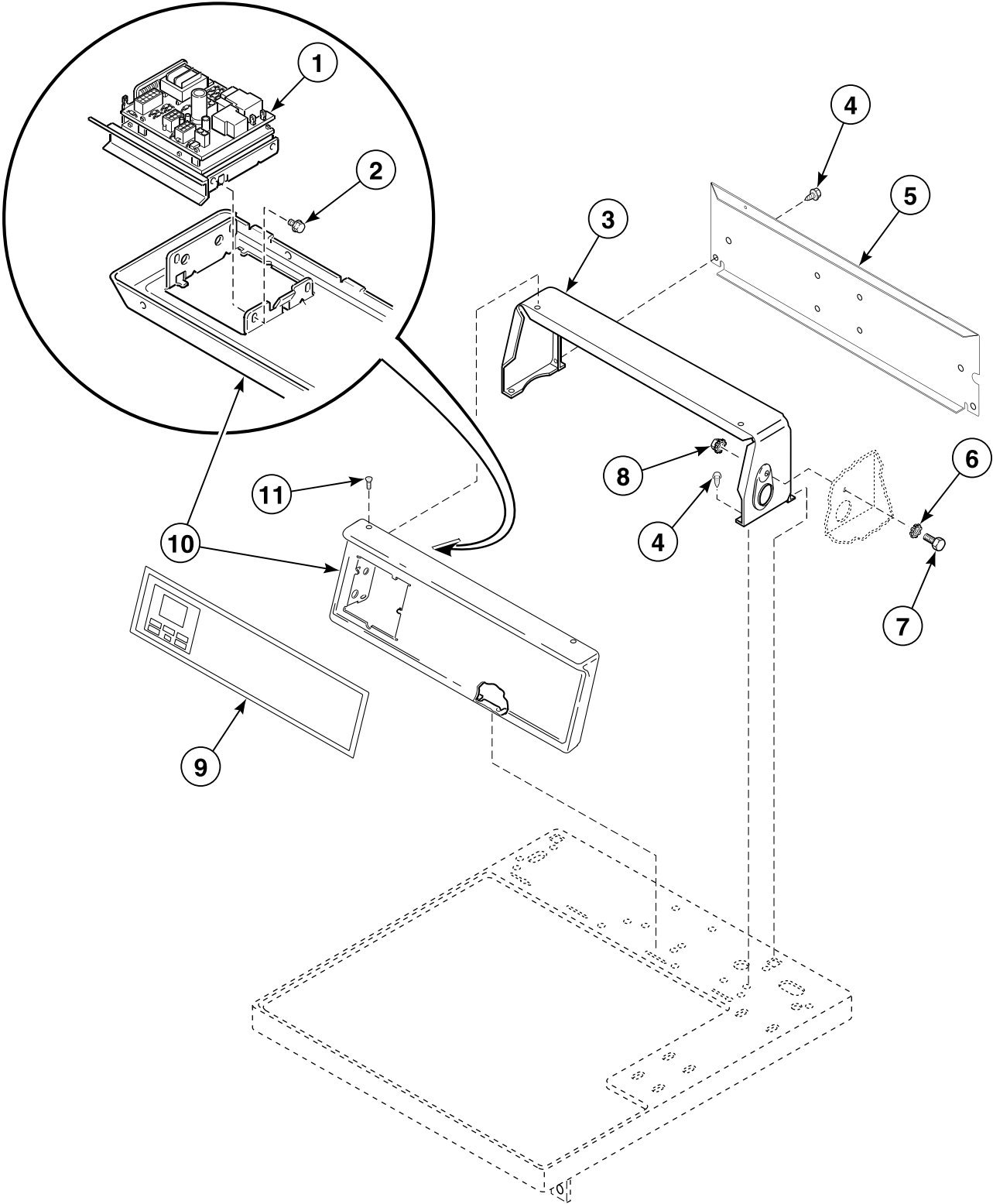
## Control Panel and Control Hood - Coin Slide Rear Control Models

REF	PART NO.	DESCRIPTION	COMMENTS
1	39897	Switch Knob	
2	24205	Nut	
3	52864	Screw	
	35528	Screw	Optional for added security
4	502567W	Control Hood	White
	502567L	Control Hood	Almond
	502567Q	Control Hood	Bisque
5	505798	Hood Back Plate	
6	501086	Screw	
7	M400017	Washer	
8	02916	Screw	
9	29786	Nut	
10	91176	Washer	
11	511711	Temperature Selector Switch	
12	52947	Nut	
13	55882	Switch Assembly	Includes item 12
14	801431	Light	
15	501738W	Control Panel and Bracket Assembly	White
	501738L	Control Panel and Bracket Assembly	Almond
	501738Q	Control Panel and Bracket Assembly	Bisque
16	512490	Control Panel Overlay	Models HDE907*F1502, HDE907*F1702, HDE907*G3018, HDE907*G4018 and HDG909*F1102
	512677	Control Panel Overlay	Models JDE907*F4350, JDE907*G3018, JDG909*F3060 and JDG909*M3020
	512865	Control Panel Overlay	Model BDG909*F1102
	512495	Graphic Overlay	Model GDE907*G3018
	511897	Graphic Overlay	Models SDE907*F5412 and SDG909*F5412
	512489	Control Panel Overlay	All other models
17	503661	Screw	
18	201587P	Transformer	Models BDG909*F1102, HDE907*F1502, HDE907*F1702 and HDG909*F1102
	201616	Transformer	All other models
19	210100	Resistor	All models except BDG909*F1102, HDE907*F1502, HDE907*F1702 and HDG909*F1102

\* Add Letter To Designate Color. L - Almond Q - Bisque W - White

# Control Panel and Controls - Electronic Rear Control Models

Models HDE507\*F1502, HDE507\*F1702, HDE707\*F1502, HDE707\*F1702, HDG509\*F1102, HDG709\*F1102, SDE407\*F3000, SDE407\*F4350, SDG409\*F3000 and SDG409\*F3058



D389PE3A\_506055



## Control Panel and Controls - Electronic Rear Control Models

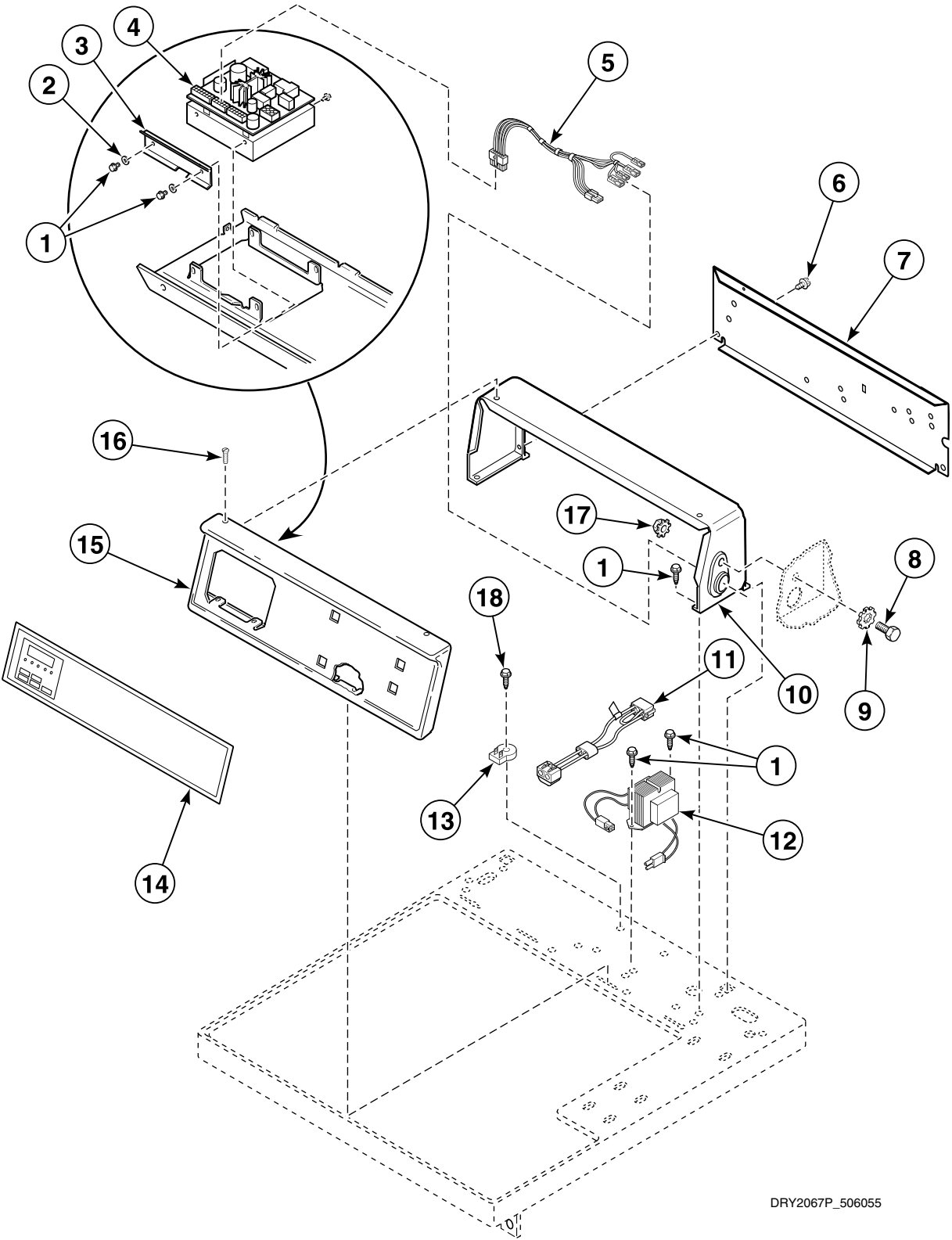
REF	PART NO.	DESCRIPTION	COMMENTS
1	M414050P	Control Kit	120 Volt
	M411883P	Control Kit	240 Volt
2	501524	Screw	
3	502567W	Control Hood	White
	502567L	Control Hood	Almond
	502567Q	Control Hood	Bisque
4	501086	Screw	
5	505798	Hood Back Plate	
6	M400017	Washer	
7	02916	Screw	
8	52566	Nut	
9	504113	Graphic Overlay	Models SDE407*F3000, SDE407*F4350, SDG409*F3000 and SDG409*F3058
	N/A	Graphic Overlay	All other models
10	501359W	Control Panel	White
	501359Q	Control Panel	Bisque
11	52864	Screw	Phillips head
	35528	Screw	Torx head; Optional for added security

\* Add Letter To Designate Color. L - Almond Q - Bisque W - White

N/A = Part no longer available

# Control Panel and Controls - Rear Control Coin Drop Models

Models HDEB07\*J1502, HDEB07\*J1702, HDER07\*F1502, HDER07\*F1702, HDET07\*F1502, HDET07\*F1702, HDEX07\*F1502, HDEX07\*F1702, HDEX07\*F3000, HDEX07\*G3018, HDEZ07\*F1502, HDEZ07\*F1702, HDGB09\*J1102, HDGR09\*F1102, HDGT09\*F1102, HDGX09\*F1102, HDGX09\*F3000, HDGX09\*M3013, HDGX09\*F1102, SDEA07\*J3000, SDEA07\*J4350, SDEX07\*F3000, SDEX07\*F4350, SDEX07\*G3018, SDEX07\*G4018, SDGX09\*F3000, SDGX09\*F3060 and SDGX09\*M3013



DRY2067P\_506055

## Control Panel and Controls - Rear Control Coin Drop Models

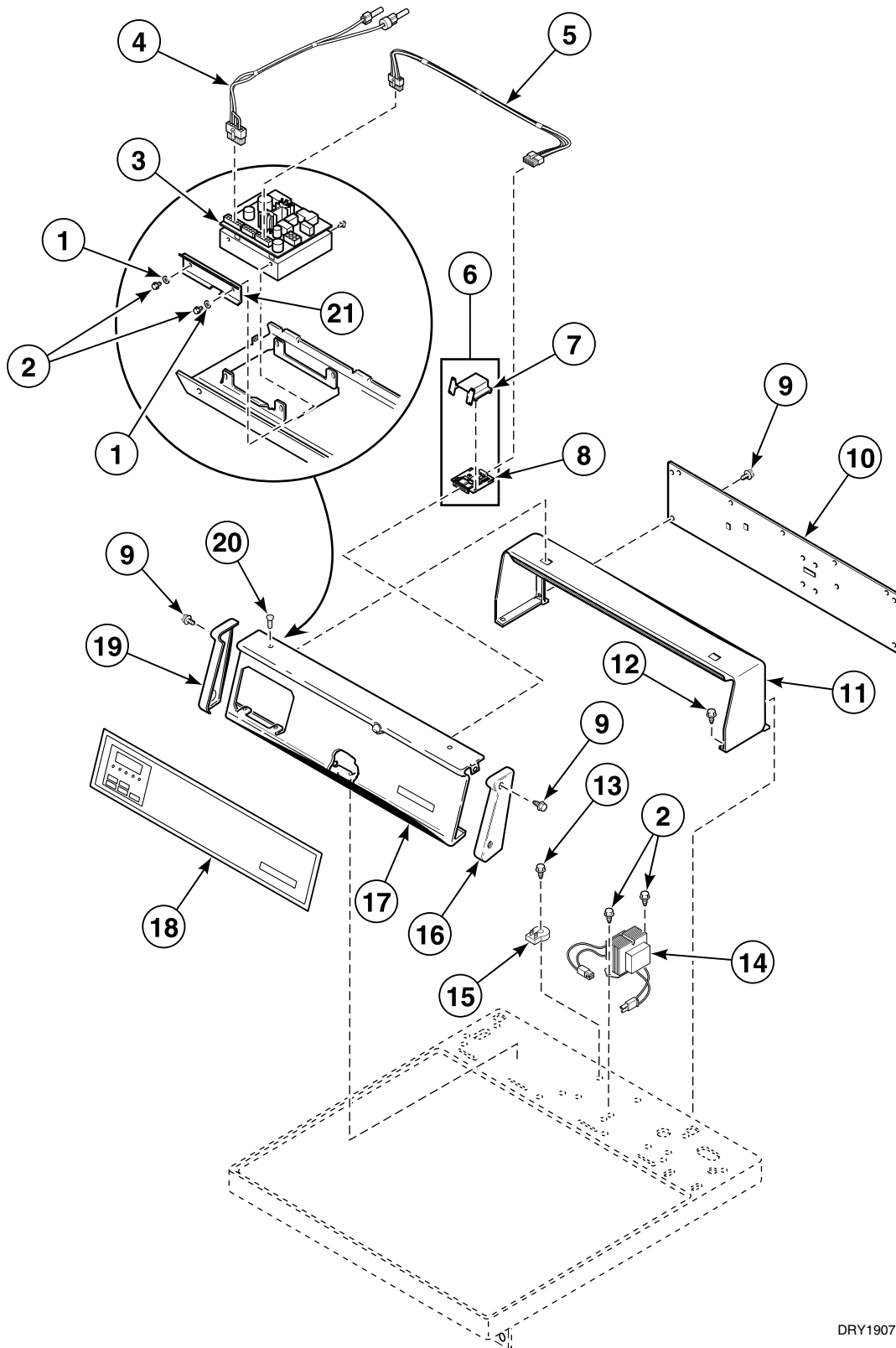
REF	PART NO.	DESCRIPTION	COMMENTS
	905P3	Security Kit	Hood lock
1	501524	Screw	Models HDEX07*G3018, HDGX09*M3013, SDEX07*G3018, SDEX07*G4018 and SDGX09*M3013
	503688	Screw	All other models
2	200608	Washer	
3	N/A	Control Shield	
4	505905P	Control Kit	Models HDEB07*J1502, HDEB07*J1702, HDGB09*J1102, SDEA07*J3000 and SDEA07*J4350
	511867P	Control Assembly	All other models
5	800213P	Dual Coin Harness	Coin drop
6	501086	Screw	
7	N/A	Hood Back Panel	Models HDGX09*F3000, SDGX09*F3000 and SDGX09*F3060
	505798	Hood Back Plate	All other models
8	02916	Screw	
9	M400017	Washer	
10	502567W	Control Hood	White
	502567L	Control Hood	Almond
	502567Q	Control Hood	Bisque
11	M413507	Jumper Configuration Assembly	Attaches to 210019 Transformer; Models HDEX07*G3018, HDGX09*M3013, SDEX07*G3018, SDEX07*G4018, SDGX09*F3060 and SDGX09*M3013
12	210019P	Transformer	Models HDEX07*F3000, HDEX07*G3018, HDGX09*F3000, HDGX09*M3013, SDEA07*J3000, SDEA07*J4350, SDEX07*F3000, SDEX07*F4350, SDEX07*G3018, SDEX07*G4018, SDGX09*F3000, SDGX09*F3060 and SDGX09*M3013; Models HDEX07*F1502, HDEX07*F1702 and HDGX09*F1102 through Serial No. 0409
	201375P	Transformer	Some models may have jumper wire attached to transformer. Discard jumper wire when replacing transformer; Models HDER07*F1502, HDER07*F1702, HDEX07*F1502, HDEX07*F1702, HDGR09*F1102 and HDGX09*F1102 starting Serial No. 0409
	210018P	Transformer	All other models
13	210100	Resistor	
14	511233	Graphic Overlay	Models HDEB07*J1502, HDEB07*J1702 and HDGB09*J1102
	510070	Graphic Overlay	Models SDEA07*J3000 and SDEA07*J4350
	511429	MDC Overlay	Models SDEX07*F3000, SDEX07*F4350, SDGX09*F3000 and SDGX09*F3060
	511486	MDC Overlay	Models SDEX07*G3018, SDEX07*G4018 and SDGX09*M3013
	N/A	Graphic Overlay	Models HDEX07*G3018 and HDGX09*M3013
15	511431	MDC Overlay	All other models
	510067W	Control Panel	White
	510067L	Control Panel	Almond
16	510067Q	Control Panel	Bisque
	52864	Screw	Phillips head
	35528	Screw	Torx head
17	52566	Nut	
18	503661	Screw	

\* Add Letter To Designate Color. L - Almond Q - Bisque W - White

N/A = Part no longer available

# Control Panel and Controls - Rear Control Card Models

Models HDEF07\*J1502, HDEF07\*J1702, HDEY07\*F1502, HDEY07\*F1702,  
HDEY07\*F99N2, HDGF09\*J1102, HDGY09\*F1102, SDEF07\*J4350 and SDGF09\*J3060



DRY1907P\_506055

## Control Panel and Controls - Rear Control Card Models

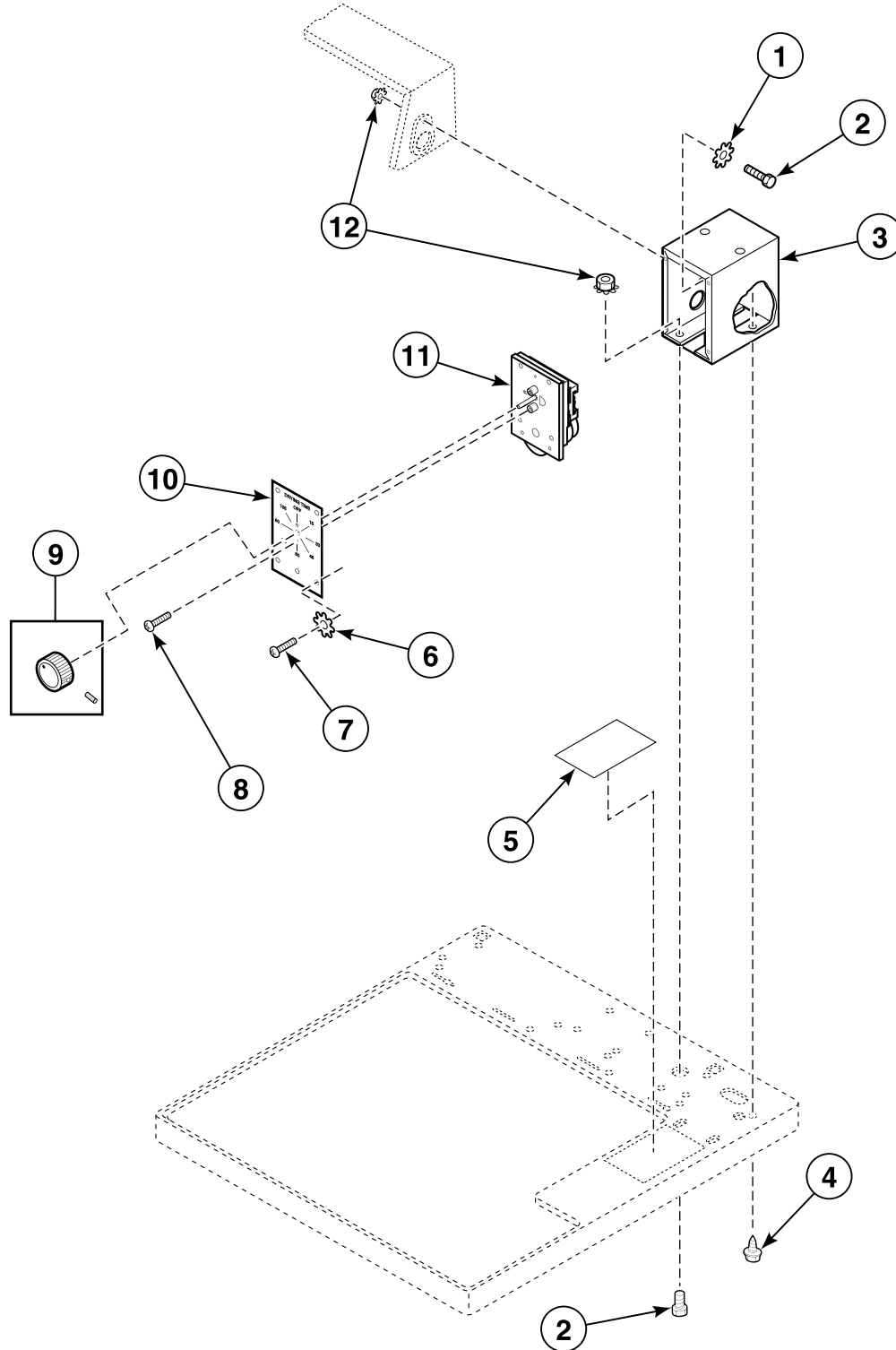
REF	PART NO.	DESCRIPTION	COMMENTS
	905P3	Security Kit	Hood lock
1	200608	Washer	
2	503688	Screw	
3	511867P	Control Assembly	Models HDEY07*F1502, HDEY07*F1702, HDEY07*F99N2 and HDGY09*F1102
	505905P	Control Kit	All other models
4	800680	Diagnostic Wire Harness Assembly	
5	800125P	Card Reader Wire Harness Assembly	
6	210023	Card Reader Bracket	Includes items 7 and 8; Models HDEF07*J1502, HDEF07*J1702, HDGF09*J1102, SDEF07*J4350 and SDGF09*J3060
7	210045P	Card Reader Assembly	Models HDEF07*J1502, HDEF07*J1702, HDGF09*J1102, SDEF07*J4350 and SDGF09*J3060
8	510068P	Card Reader and Bracket Assembly	Models HDEF07*J1502, HDEF07*J1702, HDGF09*J1102, SDEF07*J4350 and SDGF09*J3060
9	501086	Screw	
10	505798	Hood Back Plate	Model SDEF07*J4350
	511254	Rear Panel	All other models
11	511253L	Control Hood	Almond
	511253Q	Control Hood	Bisque
12	02916	Screw	
13	503661	Screw	
14	210019P	Transformer	Model SDEF07*J4350; Models HDEY07*F1502, HDEY07*F1702, HDEY07*F99N2 and HDGY09*F1102 through Serial No. 0409
	201375P	Transformer	Some models may have jumper wire attached to transformer. Discard jumper wire when replacing transformer; Models HDEY07*F1502, HDEY07*F1702, HDEY07*F99N2 and HDGY09*F1102 starting Serial No. 0409
	210018P	Transformer	All other models
15	210100	Resistor	
16	210108W	End Cap	Right
17	511055W	Control Panel	White
	511055L	Control Panel	Almond
	511055Q	Control Panel	Bisque
18	511232	Graphic Overlay	Models HDEF07*J1502, HDEF07*J1702 and HDGF09*J1102
	510113	Graphic Overlay	Models SDEF07*J4350 and SDGF09*J3060
	511508	Control Panel Overlay	Models HDEY07*F1502, HDEY07*F1702, HDEY07*F99N2 and HDGY09*F1102
19	210109W	End Cap	Left
20	52864	Screw	Phillips head
	35528	Screw	Torx head
21	N/A	Control Shield	

\* Add Letter To Designate Color. L - Almond Q - Bisque W - White

N/A = Part no longer available

# Timer and Timer Case - Nonmetered Rear Control Models

Models HDE007\*F1702, HDE007\*F3000, HDE007\*G3003, HDE007\*G3008, HDE007\*G3010, HDE007\*G4008, HDE007\*G4010, HDG009\*F1102, HDG009\*F3000, HDG009\*G3008, HDG009\*M3008, NDE007\*G3018, NDE007\*G4018, SDE007\*F3000, SDE007\*F4350, SDE007\*G3018, SDG009\*F3000, SDG009\*F3058, SDG009\*F3060, UDE007\*F3000, UDE007\*F3025, UDG009\*F3000 and UDG009\*F3025



DRY1796P\_506055

## Timer and Timer Case - Nonmetered Rear Control Models

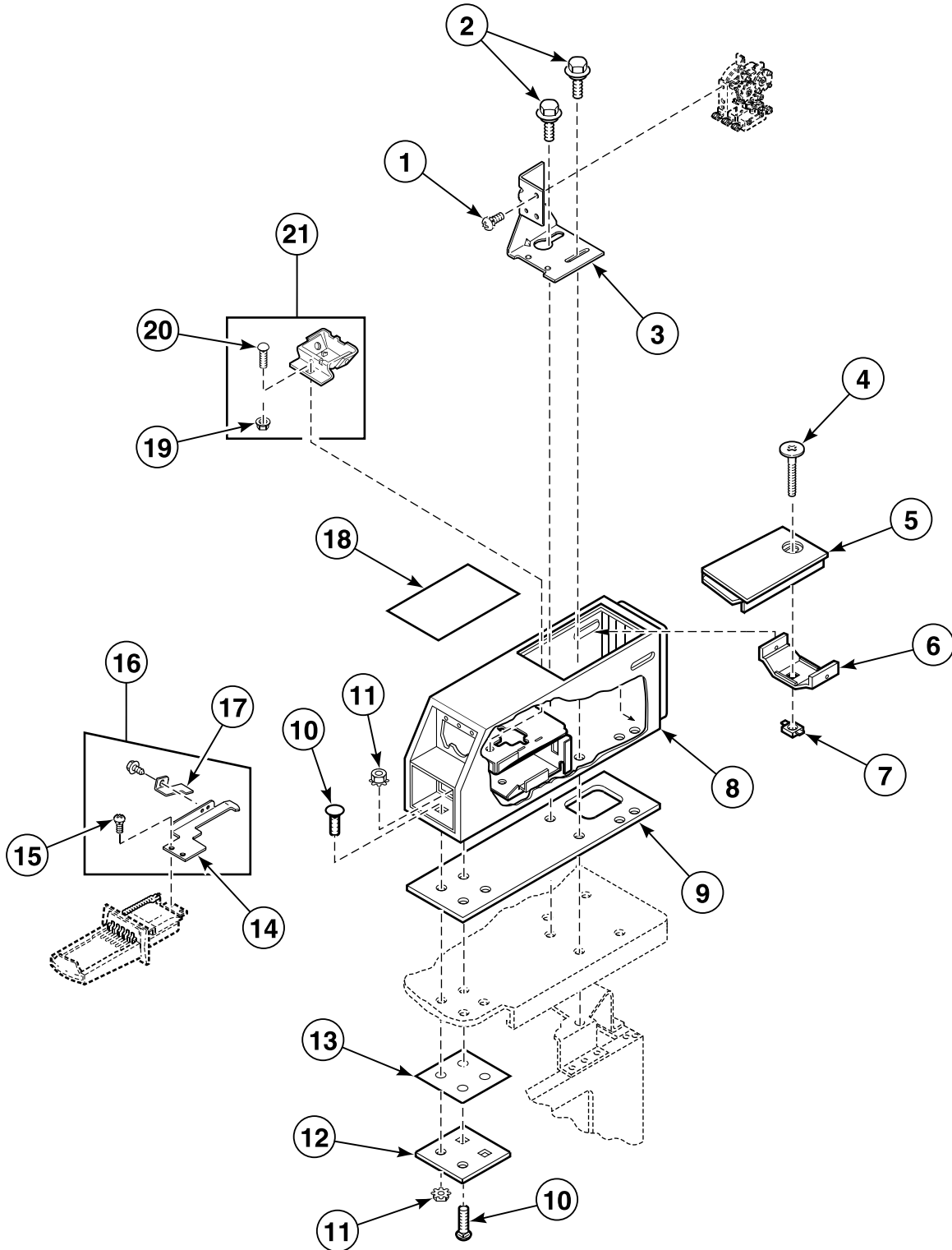
REF	PART NO.	DESCRIPTION	COMMENTS
1	M400017	Washer	
2	02916	Screw	
3	37733W	Timer Case Assembly	
4	501086	Screw	
5	500490	Instruction Plate	Models HDE007*F1702, HDE007*F3000, HDG009*F1102, HDG009*F3000, SDE007*F3000, SDE007*F4350, SDG009*F3000, SDG009*F3058, SDG009*F3060, UDE007*F3000, UDE007*F3025, UDG009*F3000 and UDG009*F3025
	502783	Instruction Label	Models HDE007*G3003, HDE007*G3008, HDE007*G3010, HDE007*G4008, HDE007*G4010, HDG009*G3008, HDG009*M3008, NDE007*G3018, NDE007*G4018 and SDE007*G3018
6	21734	Washer	
7	51778	Screw	
8	27328	Screw	
9	54678	Timer Knob	
10	502797W	Timer Plate Assembly	Models HDE007*G3003, HDE007*G3008, HDE007*G3010, HDE007*G4008, HDE007*G4010, HDG009*G3008, HDG009*M3008, NDE007*G3018, NDE007*G4018 and SDE007*G3018
	500921W	Timer Plate Assembly	All other models
11	510524P	Timer	120 Volt/60 Hertz; Models HDE007*F1702 and HDG009*F1102
	510526P	Timer	24 Volt; Model HDG009*G3008
	510525P	Timer	240 Volt/50 Hertz; All other models
12	29786	Nut	

\* Add Letter To Designate Color. G - Gray L - Almond Q - Bisque W - White

# Short Vault Coin Slide Extension and Meter Case - Coin Slide Rear Control Models

Models Through Serial No. 0210004099

Models HDE107\*F1502, HDE107\*F1702, HDE107\*F3000, HDE107\*G3003, HDE107\*G3018,  
HDE107\*G4018, HDG109\*F1102, HDG109\*F3000, HDG109\*G3013, HDG109\*M3013, SDE107\*F3000,  
SDE107\*F4350, SDE107\*F5412, SDE107\*F5417, SDE107\*G3018, SDE107\*G4018, SDG109\*F3000,  
SDG109\*F3058, SDG109\*F3060, SDG109\*F5412, SDG109\*G3013 and SDG109\*M3013



DRY1804P\_506055



## Short Vault Coin Slide Extension and Meter Case - Coin Slide Rear Control Models

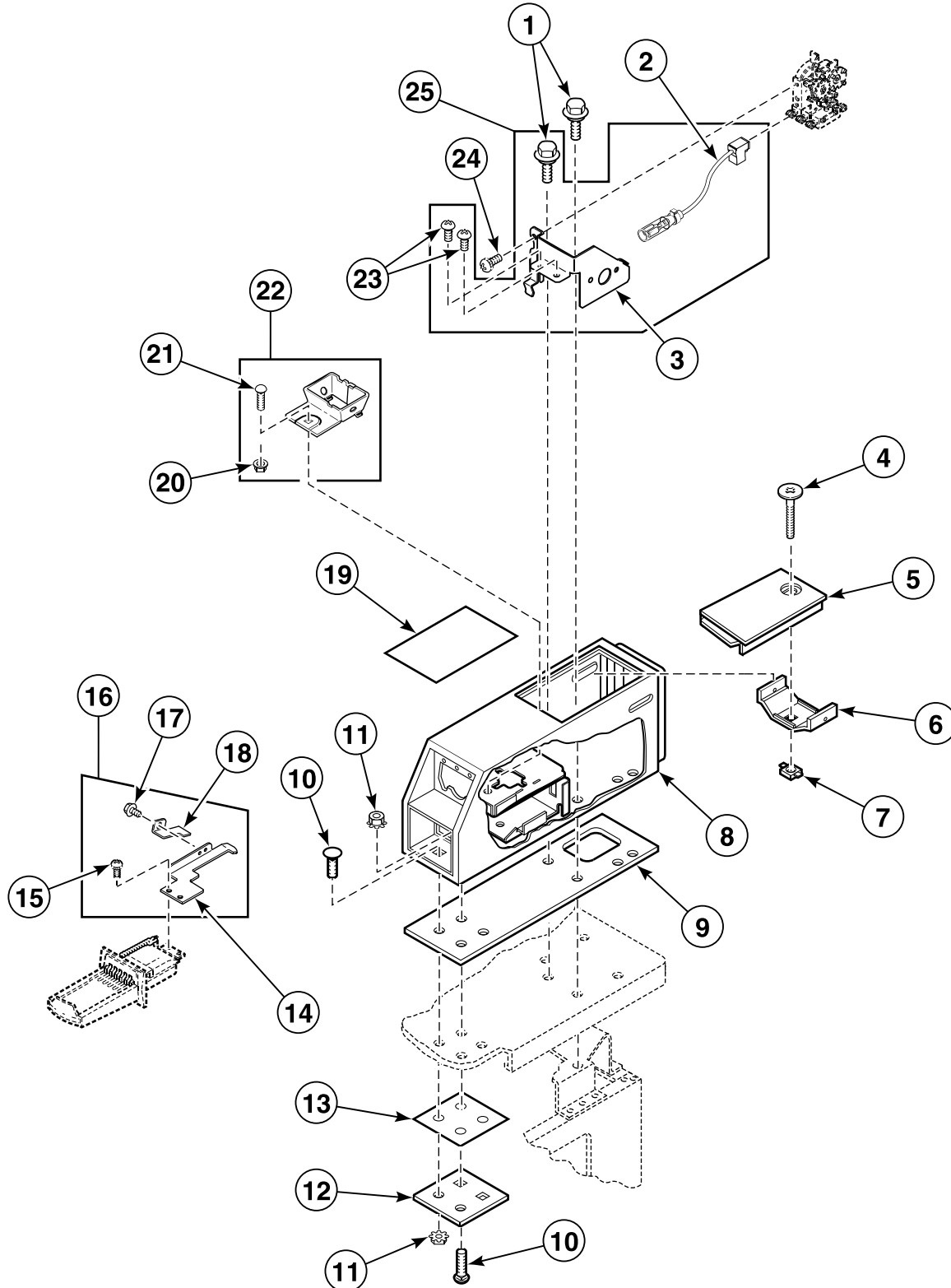
REF	PART NO.	DESCRIPTION	COMMENTS
1	03203	Screw	
2	502431	Screw	
3	503315	Timer Bracket	
4	503673	Screw	
5	35798WP	Service Door Assembly	White
	35798LP	Service Door Assembly	Almond
6	30642	Meter Case Locking Bracket	
7	30647	Nut	
8	524P3W	Meter Case and Funnel Kit	White; Includes items 9-13 and 21; Replaces 56944* and 57368* Meter Cases
	524P3L	Meter Case and Funnel Kit	Almond; Includes items 9-13 and 21; Replaces 56944* and 57368* Meter Cases
	524P3Q	Meter Case and Funnel Kit	Bisque; Includes items 9-13 and 21; Replaces 56944* and 57368* Meter Cases
9	26354	Meter Case Gasket	
10	02505	Bolt	
11	29786	Nut	
12	35525	Meter Case Lockdown Bracket	
13	35526	Meter Case Bracket Gasket	
14	503733	Coin Slide Extension	
15	03950	Screw	
16	553P3	Slide Extension Kit	Includes items 14, 15 and 17
17	501796	Slide Extension Modifier	
18	500628	Instruction Label	
19	29796	Nut	
20	29651	Bolt	
21	523P3	Coin Funnel Kit	Includes items 19 and 20

\* Add Letter To Designate Color. L - Almond Q - Bisque W - White

# Long Vault Coin Slide Extension and Meter Case - Coin Slide Rear Control Models

Models Starting Serial No. 0210004100

Models HDE107\*F1502, HDE107\*F1702, HDE107\*F3000, HDE107\*G3003, HDE107\*G3018,  
HDE107\*G4018, HDG109\*F1102, HDG109\*F3000, HDG109\*G3013, HDG109\*M3013, SDE107\*F3000,  
SDE107\*F4350, SDE107\*F5412, SDE107\*F5417, SDE107\*G3018, SDE107\*G4018, SDG109\*F3000,  
SDG109\*F3058, SDG109\*F3060, SDG109\*F5412, SDG109\*G3013 and SDG109\*M3013



DRY1801P\_506055

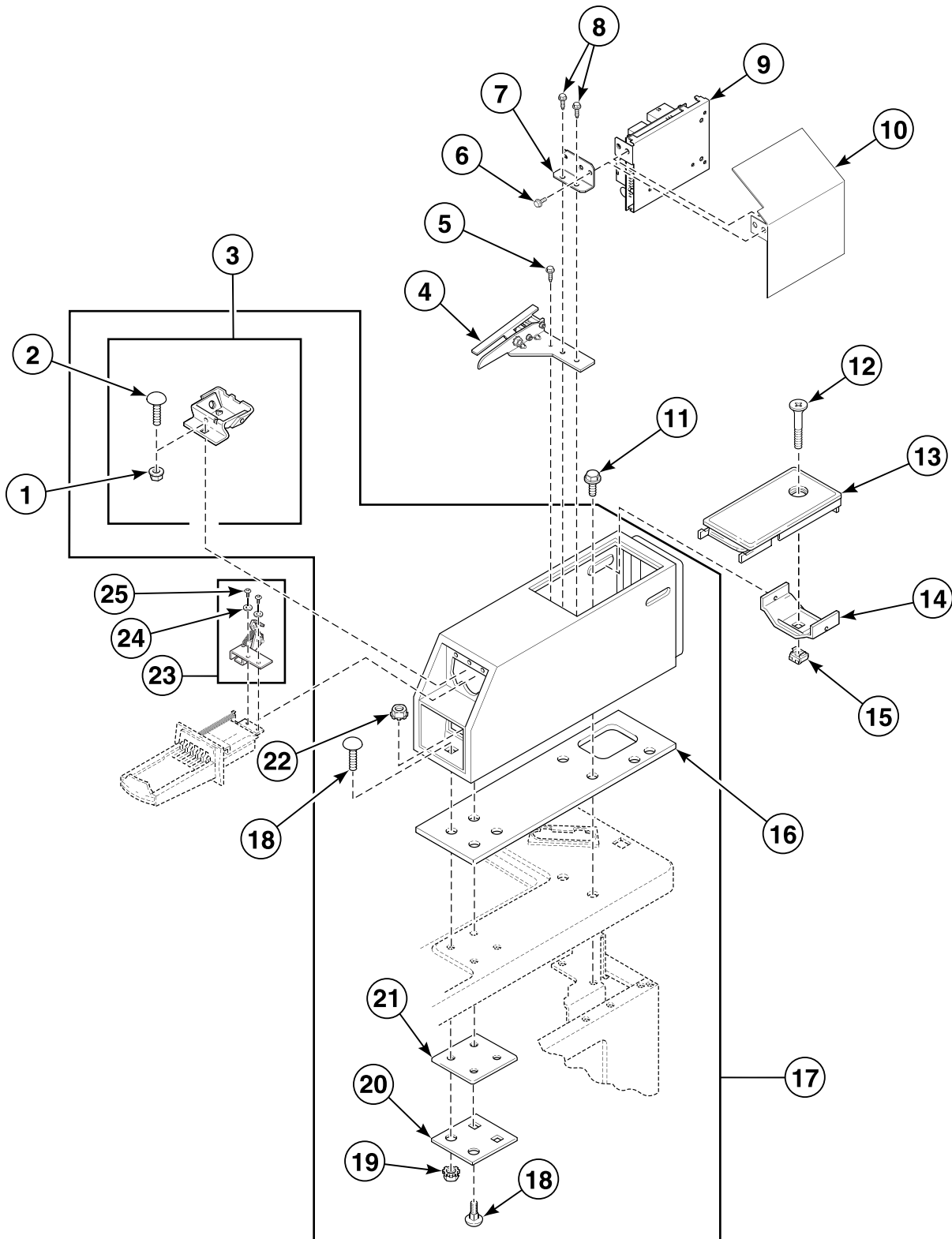
## Long Vault Coin Slide Extension and Meter Case - Coin Slide Rear Control Models

REF	PART NO.	DESCRIPTION	COMMENTS
	201280P	Mechanical Counter Kit Assembly	
1	36048	Screw	
2	511589	Wire Accumulator Assembly	
3	200832	Long Vault Timer Bracket	
4	503673	Screw	
5	35798WP	Service Door Assembly	White
	35798LP	Service Door Assembly	Almond
6	30642	Meter Case Locking Bracket	
7	30647	Nut	
8	201010WP	Meter Case Kit	White; Includes items 9-13 and 22
	201010LP	Meter Case Kit	Almond; Includes items 9-13 and 22
	201010QP	Meter Case Kit	Bisque; Includes items 9-13 and 22
9	26354	Meter Case Gasket	
10	02505	Bolt	
11	29786	Nut	
12	35525	Meter Case Lockdown Bracket	
13	35526	Meter Case Bracket Gasket	
14	506114	Coin Slide Extension	
15	511419	Screw	
16	788P3	Long Vault Slide Extension Kit	Includes items 14, 15, 17 and 18
17	501086	Screw	
18	501796	Slide Extension Modifier	
19	500628	Instruction Label	
20	29796	Nut	
21	29651	Bolt	
22	523P3	Coin Funnel Kit	Includes items 20 and 21
23	503688	Screw	Self tapping
24	03203	Screw	
25	789P3	Long Vault Timer Bracket Kit	Includes items 1-3 and 23

\* Add Letter To Designate Color. L - Almond Q - Bisque W - White

# Control, Coin Slide Extension, Meter Case and Service Door - Coin Slide Rear Control Models

Models BDG909\*F1102, GDE907\*G3018, HDE907\*F1502, HDE907\*F1702, HDE907\*G3018, HDE907\*G4018, HDG909\*F1102, JDE907\*F4350, JDE907\*G3018, JDG909\*F3060, JDG909\*M3020, SDE907\*F3000, SDE907\*F4350, SDE907\*F5412, SDE907\*G3018, SDE907\*G4018, SDG909\*F3060, SDG909\*F5412 and SDG909\*M3013



DRY2036P\_506055

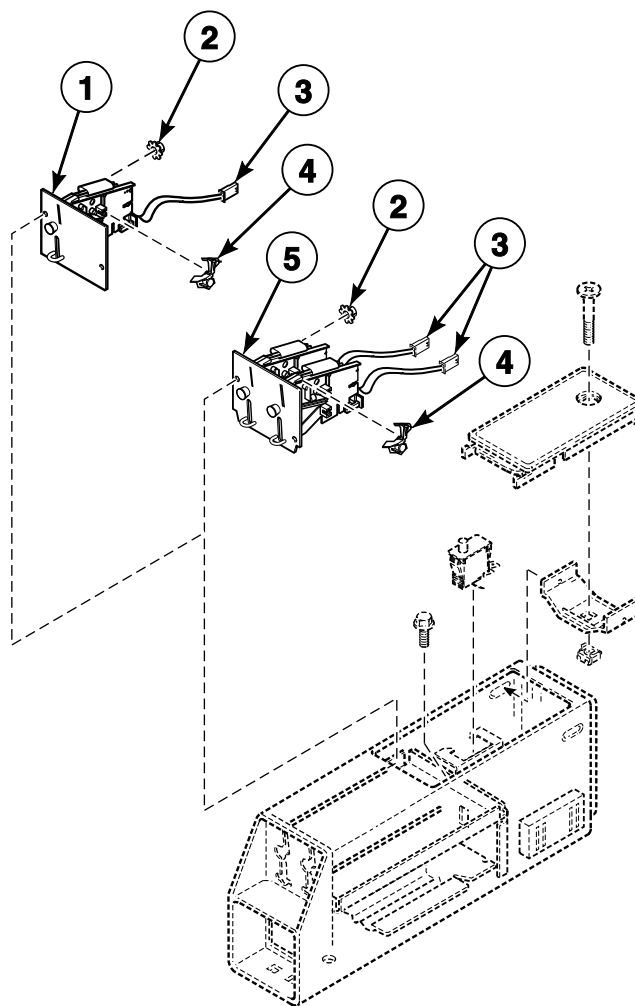
## Control, Coin Slide Extension, Meter Case and Service Door - Coin Slide Rear Control Models

REF	PART NO.	DESCRIPTION	COMMENTS
1	29796	Nut	
2	29651	Bolt	
3	523P3	Coin Funnel Kit	
4	201917P	Switch Mount Assembly	Some models may have a 3/16 inch spade terminal on the coin slide switch; When replacing switch mount assembly on these models, the control wire harness must also be replaced
5	51782	Screw	
6	501524	Screw	
7	201581	Chassis Mounting Bracket	
8	503688	Screw	
9	512621P	Control Assembly	
10	512304	Control Shield	
11	36048	Screw	
12	503673	Screw	
13	39874WP	Service Door Assembly	White
	39874QP	Service Door Assembly	Bisque
14	30642	Meter Case Locking Bracket	
15	30647	Nut	
16	26354	Meter Case Gasket	
17	201010WP	Meter Case Kit	White; Includes items 3, 16 and 18-22
	201010QP	Meter Case Kit	Bisque; Includes items 3, 16 and 18-22
18	02505	Bolt	
19	29786	Nut	
20	35525	Meter Case Lockdown Bracket	
21	35526	Meter Case Bracket Gasket	
22	802337	Nut	
23	201915	Slide Extension Assembly	
24	03815	Washer	
25	27328	Screw	

\* Add Letter To Designate Color. L - Almond Q - Bisque W - White

## Non-Electronic Coin Drop - Rear Control Models

Models HDE507\*F1502, HDE507\*F1702, HDEB07\*J1502, HDEB07\*J1702, HDER07\*F1502, HDER07\*F1702, HDET07\*F1502, HDET07\*F1702, HDEX07\*F1502, HDEX07\*F1702, HDEX07\*F3000, HDEX07\*G3018, HDEZ07\*F1502, HDEZ07\*F1702, HDG509\*F1102, HDGB09\*J1102, HDGR09\*F1102, HDGT09\*F1102, HDGX09\*F1102, HDGX09\*F3000, HDGX09\*M3013, HDGZ09\*F1102, SDE407\*F3000, SDE407\*F4350, SDEA07\*J3000, SDEA07\*J4350, SDEX07\*F3000, SDEX07\*F4350, SDEX07\*G3018, SDEX07\*G4018, SDG409\*F3000, SDG409\*F3058, SDGX09\*F3000, SDGX09\*F3060 and SDGX09\*M3013



DRY2094P\_506055

## Non-Electronic Coin Drop - Rear Control Models

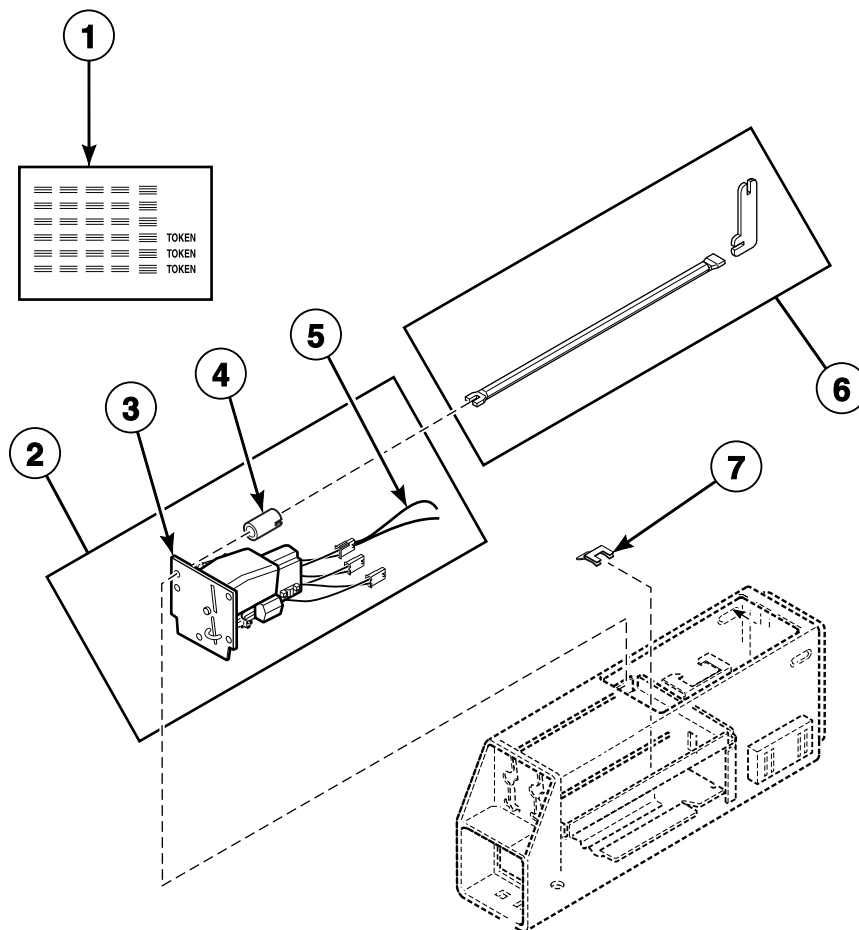
REF	PART NO.	DESCRIPTION	COMMENTS
1	38462P	Coin Drop Assembly	Token; 118-1 mzp
	38463	Coin Drop Assembly	Token; 118-5 mzp
	38464P	Coin Drop Assembly	Canada; \$.25
	38475	Coin Drop Assembly	Japan; 100 yen
	CK077	Coin Drop Kit	Taiwan; 10 NT
	38479P	Coin Drop	U.S.; \$.25
	38963P	Coin Drop	Token; 118-16 mzp; 5 NT
2	29786	Nut	
3	200674P	Opto Coupler	
4	201595P	Wire Guard	Anti-stringing security device; Add to coin drops beginning January 2005
5	200578P	Coin Drop Assembly	Canada; \$.25 and \$1.00
	38467	Coin Drop Assembly	Australia; \$.20 and \$1.00
	N/A	Coin Drop Assembly	Belgium, Denmark, France, Italy and Taiwan coins
	38472	Coin Drop Assembly	England; 20 pence and 1 pound
	38519	Coin Drop Assembly	Japan; 100 and 500 yen
	38521	Coin Drop Assembly	Korea; 100 and 500 won
	38522	Coin Drop Assembly	New Zealand; \$.20 and \$1.00
	39157	Coin Drop Assembly	Israel; 1 and 5 shekel

\* Add Letter To Designate Color. L - Almond Q - Bisque W - White

N/A = Part no longer available

# Electronic Coin Drop - Rear Control Models

Models HDER07\*F1502, HDER07\*F1702, HDEX07\*F1502, HDEX07\*F1702, HDEX07\*F3000, HDEX07\*G3018, HDGR09\*F1102, HDGX09\*F1102, HDGX09\*F3000, HDGX09\*M3013, SDEA07\*J3000, SDEA07\*J4350, SDEX07\*F3000, SDEX07\*F4350, SDEX07\*G3018, SDEX07\*G4018, SDGX09\*F3000, SDGX09\*F3060 and SDGX09\*M3013



DRY2095P\_506055



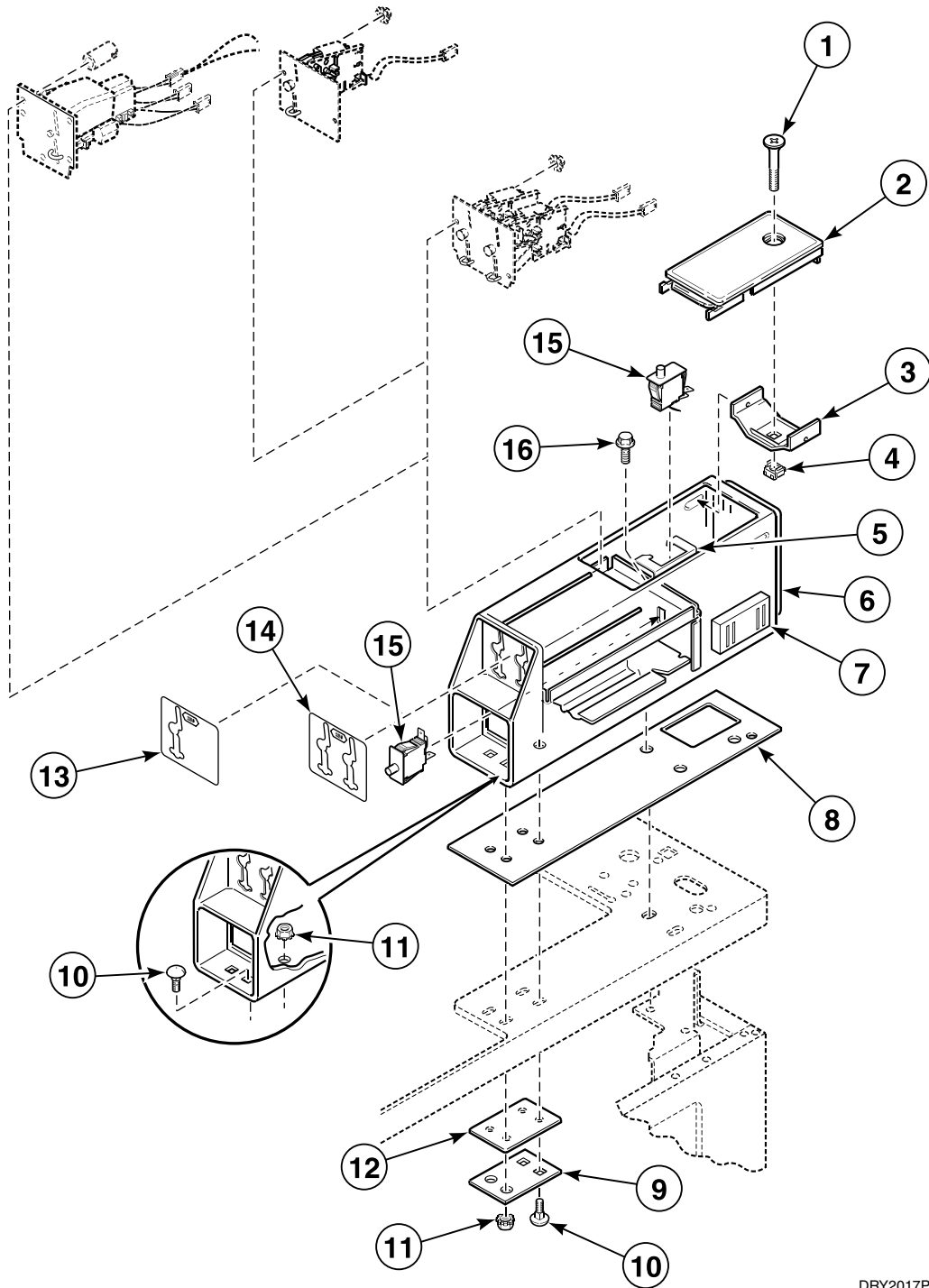
## Electronic Coin Drop - Rear Control Models

REF	PART NO.	DESCRIPTION	COMMENTS
1	38725	Coin Identification Paper	For use with items 2 and 3
2	CK095	Electronic Coin Drop Kit	Includes items 3-5; United States, Canada, Japan and Taiwan coins
	CK099	Electronic Coin Drop Kit	Includes items 3-5; Australia, New Zealand, Hong Kong and South Korea coins
	CK100	Electronic Coin Drop Kit	Includes items 3-5; Euro and Great Britain coins
	CK101	Electronic Coin Drop Kit	Includes items 3-5; Euro, Denmark and Norway coins
	CK103	Electronic Coin Drop Kit	Includes items 3-5; Euro, Lithuania and Latvia coins
	CK106	Electronic Coin Drop Kit	Includes items 3-5; Malaysia, Russia, China and Singapore coins
	CK108	Electronic Coin Drop Kit	Includes items 3-5; South Africa coins
	CK109	Electronic Coin Drop Kit	Includes items 3-5; Euro coins
3	70294101P	Electronic Coin Drop Assembly	United States, Canada, Japan and Taiwan coins
	70294105P	Electronic Coin Drop Assembly	Australia, New Zealand, Hong Kong, South Korea and Malaysia coins
	70294103P	Electronic Coin Drop Assembly	Euro and Great Britain coins
	70294104	Electronic Coin Drop Assembly	Euro, Denmark and Norway coins
	70294107	Electronic Coin Drop Assembly	Euro, Lithuania and Latvia coins
	70294109	Electronic Coin Drop Assembly	Malaysia, Russia, China and Singapore coins
	70294110	Electronic Coin Drop Assembly	South Africa coins
	70294111	Electronic Coin Drop Assembly	Euro coins
4	201216	Nut	For use with items 2 and 3
5	201104	Coin Drop Wire Harness	For use with items 2 and 3
6	CK096	Mounting Tool Kit	For use with items 2 and 3
7	201572	Clip	For use with items 2 and 3

\* Add Letter To Designate Color. L - Almond Q - Bisque W - White

# Meter Case - Rear Control Coin Drop Models

Models HDE507\*F1502, HDE507\*F1702, HDEB07\*J1502, HDEB07\*J1702, HDER07\*F1502, HDER07\*F1702, HDET07\*F1502, HDET07\*F1702, HDEX07\*F1502, HDEX07\*F1702, HDEX07\*F3000, HDEX07\*G3018, HDEZ07\*F1502, HDEZ07\*F1702, HDG509\*F1102, HDGB09\*J1102, HDGR09\*F1102, HDGT09\*F1102, HDGX09\*F1102, HDGX09\*F3000, HDGX09\*M3013, HDGZ09\*F1102, SDE407\*F3000, SDE407\*F4350, SDEA07\*J3000, SDEA07\*J4350, SDEX07\*F3000, SDEX07\*F4350, SDEX07\*G3018, SDEX07\*G4018, SDG409\*F3000, SDG409\*F3058, SDGX09\*F3000, SDGX09\*F3060 and SDGX09\*M3013



DRY2017PA\_506055

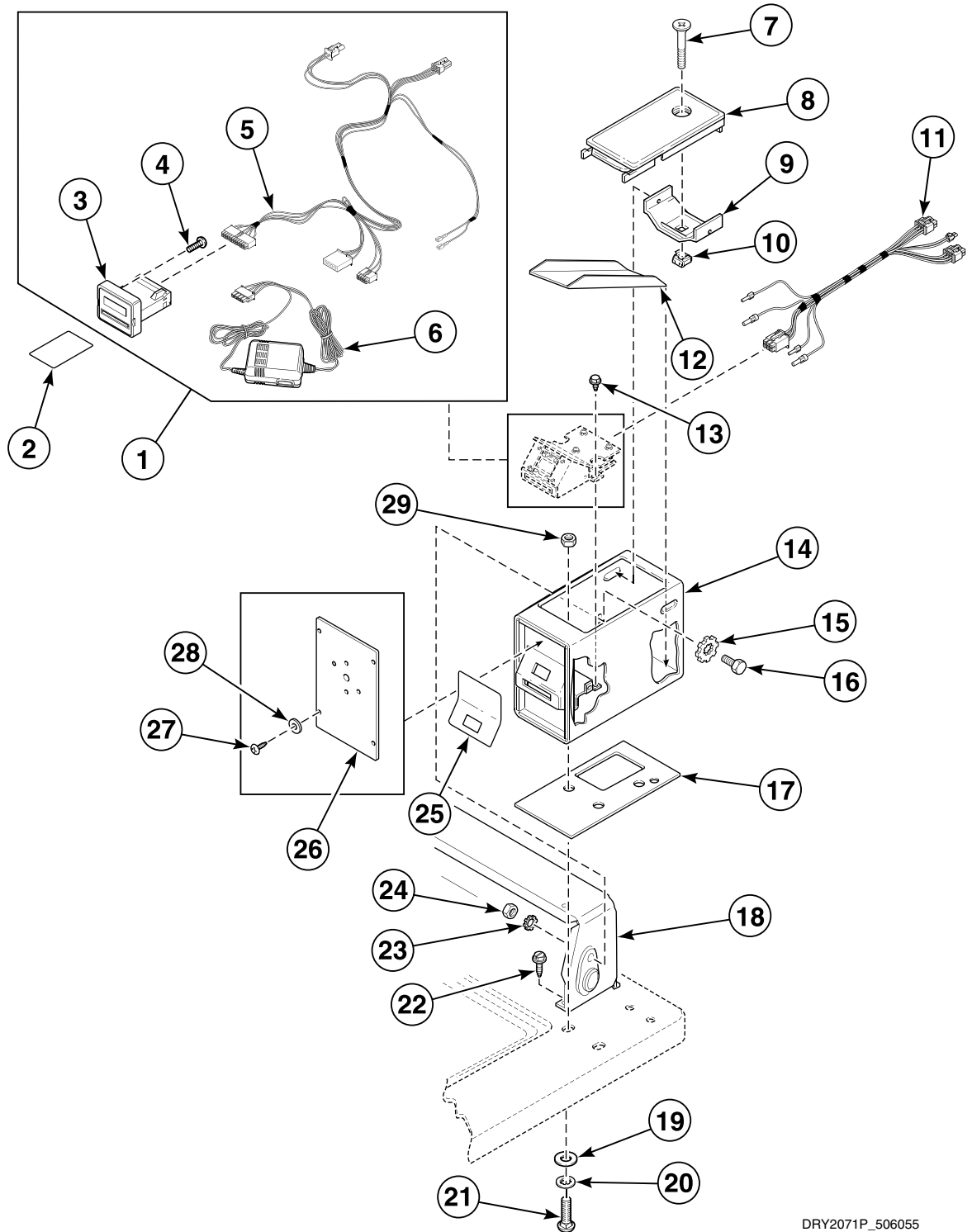
## Meter Case - Rear Control Coin Drop Models

REF	PART NO.	DESCRIPTION	COMMENTS
1	503673	Screw	
2	35798WP	Service Door Assembly	White
	35798LP	Service Door Assembly	Almond
3	30642	Meter Case Locking Bracket	
4	30647	Nut	
5	38087	Door Switch Bracket	Models HDEX07*G3018, HDGX09*M3013, SDEX07*G3018, SDEX07*G4018, SDGX09*F3060 and SDGX09*M3013
6	802505W	Meter Case Assembly	White; For electronic coin drop; Models HDER07*F1502, HDER07*F1702 and HDGR09*F1102
	802505Q	Meter Case Assembly	Bisque; For electronic coin drop; Models HDER07*F1502, HDER07*F1702 and HDGR09*F1102
	38724W	Meter Case Assembly	White; All other models
	38724L	Meter Case Assembly	Almond; All other models
	38724Q	Meter Case Assembly	Bisque; All other models
7	38571	Multiplier Assembly	Models HDE507*F1502 and HDG509*F1102
8	26354	Meter Case Gasket	
9	35525	Meter Case Lockdown Bracket	
10	02505	Bolt	
11	29786	Nut	
12	35526	Meter Case Bracket Gasket	
13	38717	Single Overlay	For non-electronic coin drops
	201091	Overlay	For electronic coin drops
14	39073	Dual Overlay	
15	504570	Switch	
16	36048	Screw	

\* Add Letter To Designate Color. L - Almond Q - Bisque W - White

# Card Reader and Security Case - Rear Control Models

Models HDE707\*F1502, HDE707\*F1702 and HDG709\*F1102



DRY2071P\_506055

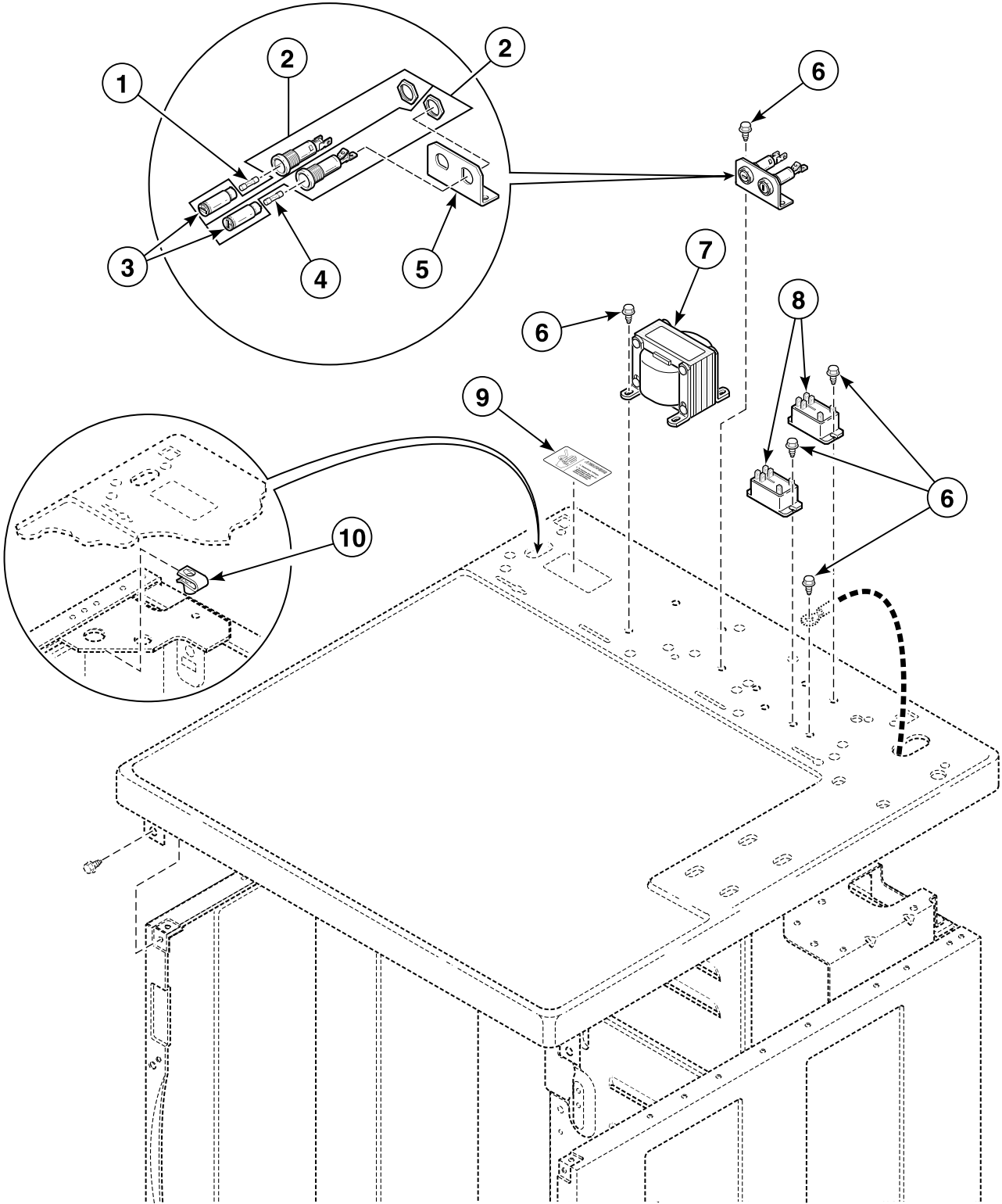
## Card Reader and Security Case - Rear Control Models

REF	PART NO.	DESCRIPTION	COMMENTS
1	874P3	Card Reader Kit	Includes items 3-6 and 15
2	512499P	Programming Card	
3	512473	Card Reader	
4	512504	Screw	
5	512501	Harness	
6	512496	Power Supply	
7	503673	Screw	
8	37733W	Timer Case Assembly	Use with item 1
	35798WP	Service Door Assembly	White; Use with 39685 Card Reader
	35798LP	Service Door Assembly	Almond; Use with 39685 Card Reader
9	30642	Meter Case Locking Bracket	
10	30647	Nut	
11	38191	Card Reader Wire Harness Assembly	
12	N/A	Shield	
13	503688	Screw	
14	38145L	Security Case Assembly	Almond
	N/A	Security Case Assembly	White
15	M400017	Washer	
16	02916	Screw	
17	37526	Security Case Gasket	
18	502567W	Control Hood	White
	502567L	Control Hood	Almond
	502567Q	Control Hood	Bisque
19	23225	Washer	Vinyl
20	30627	Washer	
21	02505	Bolt	
22	23962	Screw	
23	02431	Washer	
24	52566	Nut	
25	38192	Card Reader Instruction Overlay	
26	39481W	Timer Plate	Use with item 1
27	51778	Screw	Use with item 1
28	21734	Washer	Use with item 1
29	29786	Nut	

\* Add Letter To Designate Color. L - Almond Q - Bisque W - White

N/A = Part no longer available

# Cabinet Top - Rear Control Models (Drawing 1 of 2)



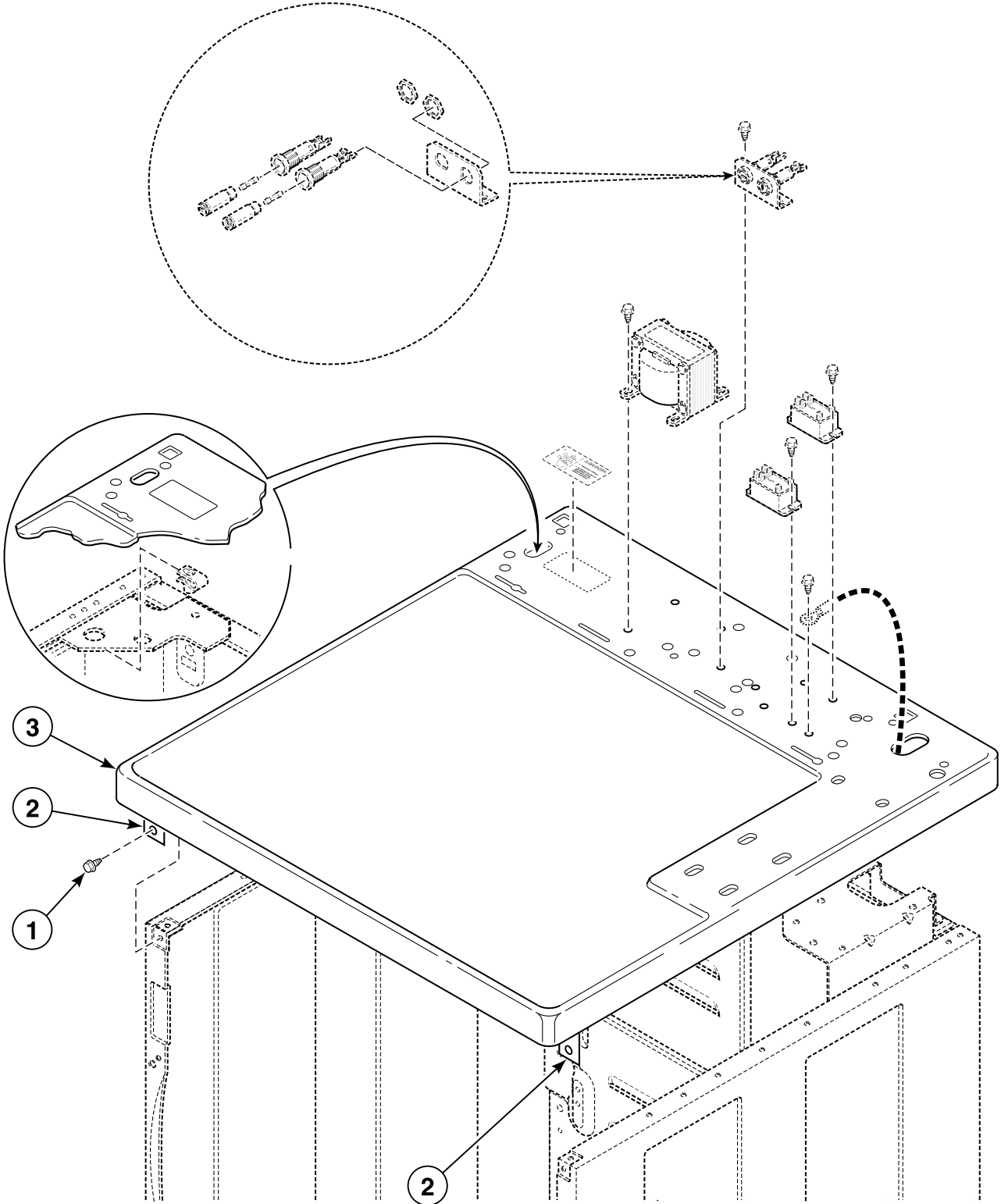
DRY2003P\_506055

## Cabinet Top - Rear Control Models (Drawing 1 of 2)

REF	PART NO.	DESCRIPTION	COMMENTS
1	502593	Fuse	Primary 400 mA; Models HDG009*G3008, HDG109*G3013 and SDG109*G3013
2	502591P	Fuse Holder Kit	Includes item 3; Models HDG009*G3008, HDG109*G3013 and SDG109*G3013
3	502811	Fuse Carrier	Models HDG009*G3008, HDG109*G3013 and SDG109*G3013
4	502592	Fuse	Secondary 3.15 Amp; Models HDG009*G3008, HDG109*G3013 and SDG109*G3013
5	502589	Fuse Holder Bracket	Models HDG009*G3008, HDG109*G3013 and SDG109*G3013
6	503688	Screw	
7	511658P	Transformer Kit	Models HDG009*F3000, HDG109*F3000, JDG809*F3060, JDG909*F3060, SDG009*F3000, SDG009*F3058, SDG009*F3060, SDG109*F3000, SDG109*F3060, SDG109*F5412, SDG809*F3060, SDG909*F3060, SDG909*F5412, UDG009*F3000 and UDG009*F3025
	M412477P	Transformer	Models HDG009*G3008, HDG109*G3013 and SDG109*G3013
	M413100P	Transformer	Models HDG009*M3008, HDG109*M3013, JDG809*M3020, JDG909*M3020, PDG809*M3013, SDG109*M3013 and SDG909*M3013
8	502501	Relay	Models HDG009*G3008, HDG109*G3013 and SDG109*G3013
9	500316	Warning Label	Models BDG809*F1102, BDG909*F1102, HDE007*F1702, HDE107*F1502, HDE107*F1702, HDE507*F1502, HDE507*F1702, HDE707*F1502, HDE707*F1702, HDE807*F1702, HDE907*F1502, HDE907*F1702, HDEB07*J1502, HDEB07*J1702, HDEF07*J1502, HDEF07*J1702, HDER07*F1502, HDER07*F1702, HDET07*F1502, HDET07*F1702, HDEX07*F1502, HDEX07*F1702, HDEY07*F1502, HDEY07*F1702, HDEY07*F99N2, HDEZ07*F1502, HDEZ07*F1702, HDG009*F1102, HDG109*F1102, HDG509*F1102, HDG709*F1102, HDG809*F1102, HDG909*F1102, HDGB09*J1102, HDGF09*J1102, HDGR09*F1102, HDGT09*F1102, HDGX09*F1102, HDGY09*F1102 and HDGZ09*F1102
	502511	Electrical Shock Label	Models GDE907*G3018, HDE007*G3003, HDE007*G3008, HDE007*G3010, HDE007*G4008, HDE007*G4010, HDE107*G3003, HDE107*G3018, HDE907*G3018, HDG009*G3008, HDG009*M3008, HDG109*G3013, HDG109*M3013, JDE907*G3018, JDG809*M3020, JDG909*M3020, PDG809*M3013, SDE007*G3018, SDE107*G3018, SDE907*G3018, SDG109*G3013, SDG109*M3013 and SDG909*M3013
	505281	Disconnect Power Warning Label	All other models
10	27222	Nut	

\* Add Letter To Designate Color. G - Gray L - Almond Q - Bisque W - White

# Cabinet Top - Rear Control Models (Drawing 2 of 2)



DRY2003PA\_506055



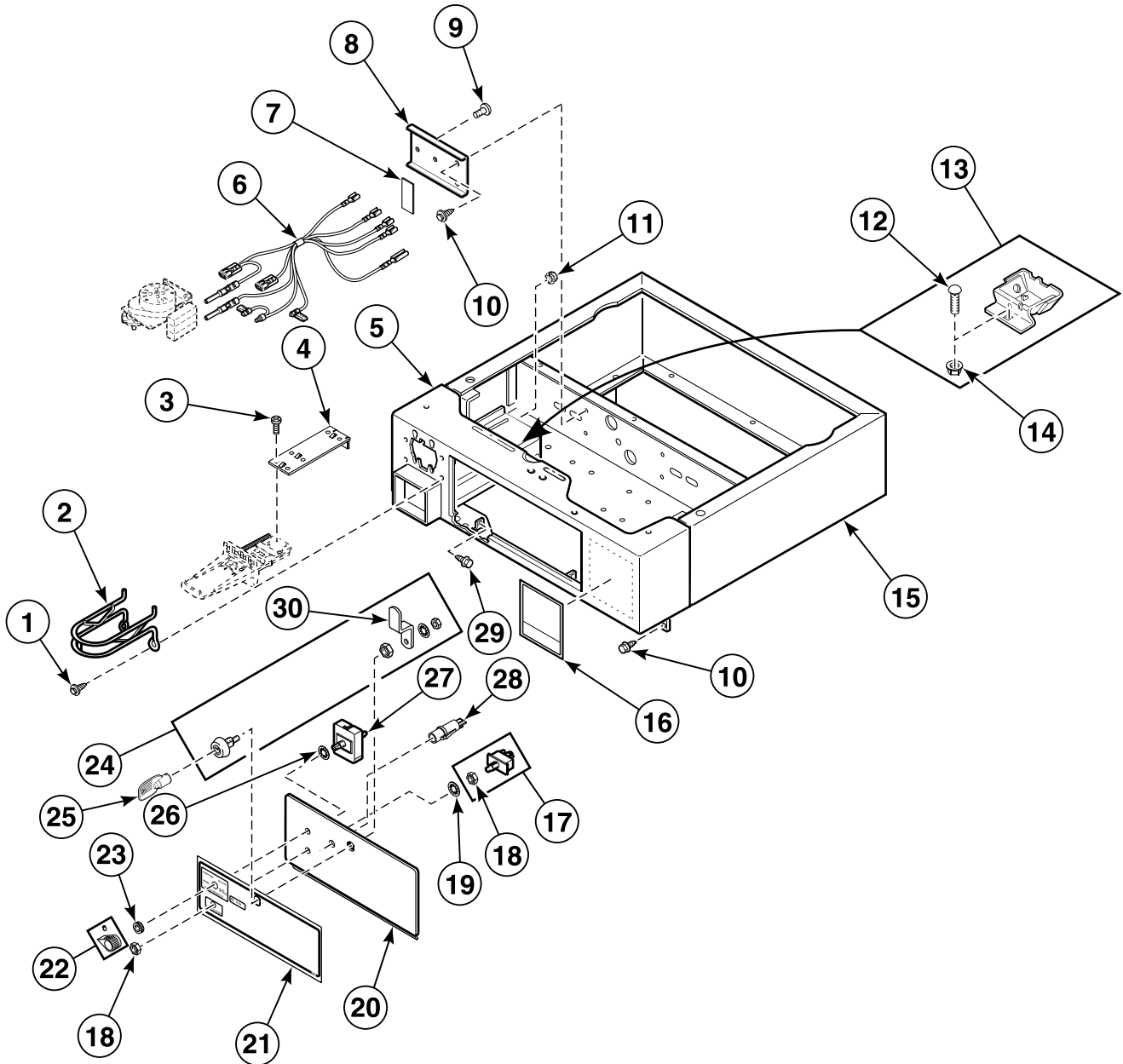
## Cabinet Top - Rear Control Models (Drawing 2 of 2)

REF	PART NO.	DESCRIPTION	COMMENTS
1	503688	Screw	
2	510146	Bracket	
3	502570W	Top Panel	White; Model HDG009*G3008
	502670Q	Top Panel	Bisque; Models HDG109*G3013 and SDG109*G3013
	511530WP	Top Panel Kit	White; Models BDG809*F1102, FDE807*G3018, FDE807*G4018, GDE807*G3018, HDE807*F1702, HDEF07*J1502, HDEF07*J1702, HDEY07*F1502, HDEY07*F1702, HDEY07*F99N2, HDG809*F1102, HDGF09*J1102, HDGY09*F1102, JDE807*F4350, JDE807*G3018, JDG809*F3060, JDG809*M3020, NDE807*G3018, NDE807*G4018, PDE807*G3018, PDE807*G4018, PDG809*M3013, SDE807*F3000, SDE807*F4350, SDEF07*J4350, SDG809*F3060 and SDGF09*J3060
511530LP	Top Panel Kit	Almond; Models BDG809*F1102, FDE807*G3018, FDE807*G4018, GDE807*G3018, HDE807*F1702, HDEF07*J1502, HDEF07*J1702, HDEY07*F1502, HDEY07*F1702, HDEY07*F99N2, HDG809*F1102, HDGF09*J1102, HDGY09*F1102, JDE807*F4350, JDE807*G3018, JDG809*F3060, JDG809*M3020, NDE807*G3018, NDE807*G4018, PDE807*G3018, PDE807*G4018, PDG809*M3013, SDE807*F3000, SDE807*F4350, SDEF07*J4350, SDG809*F3060 and SDGF09*J3060	
511528WP	Top Kit	White; Models HDE007*F1702, HDE007*F3000, HDE007*G3003, HDE007*G3008, HDE007*G3010, HDE007*G4008, HDE007*G4010, HDE707*F1502, HDE707*F1702, HDG009*F1102, HDG009*F3000, HDG009*M3008, HDG709*F1102, NDE007*G3018, NDE007*G4018, SDE007*F3000, SDE007*F4350, SDE007*G3018, SDG009*F3000, SDG009*F3058, SDG009*F3060, UDE007*F3000, UDE007*F3025, UDG009*F3000 and UDG009*F3025	
511528LP	Top Kit	Almond; Models HDE007*F1702, HDE007*F3000, HDE007*G3003, HDE007*G3008, HDE007*G3010, HDE007*G4008, HDE007*G4010, HDE707*F1502, HDE707*F1702, HDG009*F1102, HDG009*F3000, HDG009*M3008, HDG709*F1102, NDE007*G3018, NDE007*G4018, SDE007*F3000, SDE007*F4350, SDE007*G3018, SDG009*F3000, SDG009*F3058, SDG009*F3060, UDE007*F3000, UDE007*F3025, UDG009*F3000 and UDG009*F3025	
511528QP	Top Kit	Bisque; Models HDE007*F1702, HDE007*F3000, HDE007*G3003, HDE007*G3008, HDE007*G3010, HDE007*G4008, HDE007*G4010, HDE707*F1502, HDE707*F1702, HDG009*F1102, HDG009*F3000, HDG009*M3008, HDG709*F1102, NDE007*G3018, NDE007*G4018, SDE007*F3000, SDE007*F4350, SDE007*G3018, SDG009*F3000, SDG009*F3058, SDG009*F3060, UDE007*F3000, UDE007*F3025, UDG009*F3000 and UDG009*F3025	
511527WP	Top Kit	White; All other models	
511527LP	Top Kit	Almond; All other models	
511527QP	Top Kit	Bisque; All other models	

\* Add Letter To Designate Color. G - Gray L - Almond Q - Bisque W - White

# Control Panel and Controls - Coin Slide Ready Front Control Models

Model HFE167\*G4018



DRY2093P\_506055

## Control Panel and Controls - Coin Slide Ready Front Control Models

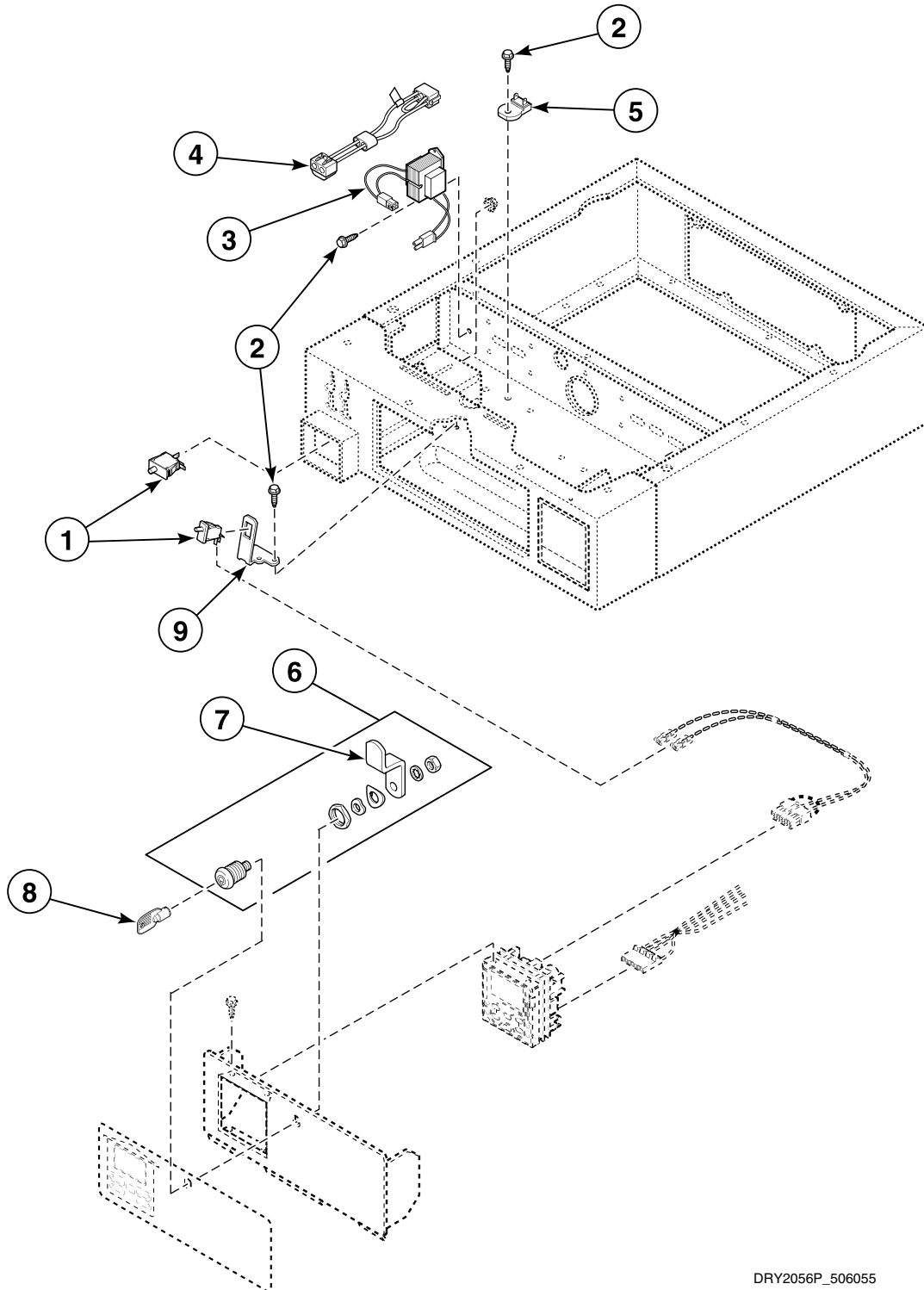
REF	PART NO.	DESCRIPTION	COMMENTS
1	33562	Screw	
2	58181	Coin Slide Guard	
3	03950	Screw	
4	503455	Coin Slide Extension	
5	511523W	Security Cabinet Front Assembly	White
	511523L	Security Cabinet Front Assembly	Almond
	511523Q	Security Cabinet Front Assembly	Bisque
6	510534P	Harness Replacement Kit	
7	56751	Shield	
8	503017	Timer Bracket	
9	03203	Screw	
10	503688	Screw	
11	80077	Nut	
12	29651	Bolt	
13	523P3	Coin Funnel Kit	Includes items 12 and 14
14	29796	Nut	
15	505753WP	Wrapper and Channel Assembly	White
	505753LP	Wrapper and Channel Assembly	Almond
	505753QP	Wrapper and Channel Assembly	Bisque
16	504585	Instruction Overlay	
17	55882	Switch Assembly	Includes item 18
18	52947	Nut	
19	25820	Washer	
20	504447W	Control Panel and Bracket Assembly	White
	504447L	Control Panel and Bracket Assembly	Almond
	504447Q	Control Panel and Bracket Assembly	Bisque
21	N/A	Graphic Overlay	
22	39897	Switch Knob	
23	24205	Nut	
24	27260P	Lock Kit	Includes item 30
25	54612	Key	800
26	91176	Washer	
27	61512	Fabric Selector Switch	
28	32464	Light	
29	502431	Screw	
30	27261	Lock Cam	

\* Add Letter To Designate Color. L - Almond Q - Bisque W - White

N/A = Part no longer available

# Control Panel and Controls - Coin Drop and Card Front Control Models (Drawing 1 of 2)

Models BFEX07\*G4018, HFE507\*F1702, HFE707\*F1702, HFEB07\*J1702, HFEX07\*F1702, HFEY07\*F1702, HFG509\*F1102, HFG709\*F1102, HFGX09\*F1102, HFGX09\*M3013, KFET17NF1702, KFEX17NG3018, KFEX17NG4018, KFEY17NF1702, KFEY17NG3018, KFEY17NG4018, KFGT19NF1102, KFGX19NM3020, KFGY19NF1102, KFGY19NM3020, NFEX07\*G3018, NFEX07\*G4018, NFGX09\*M3013, SFEX07\*F3300, SFEX07\*F4350, SFEX07\*G3018, SFEX07\*G4018, SFEX67\*G4018, SFEY07\*G4018 and SFGX09\*M3013



DRY2056P\_506055

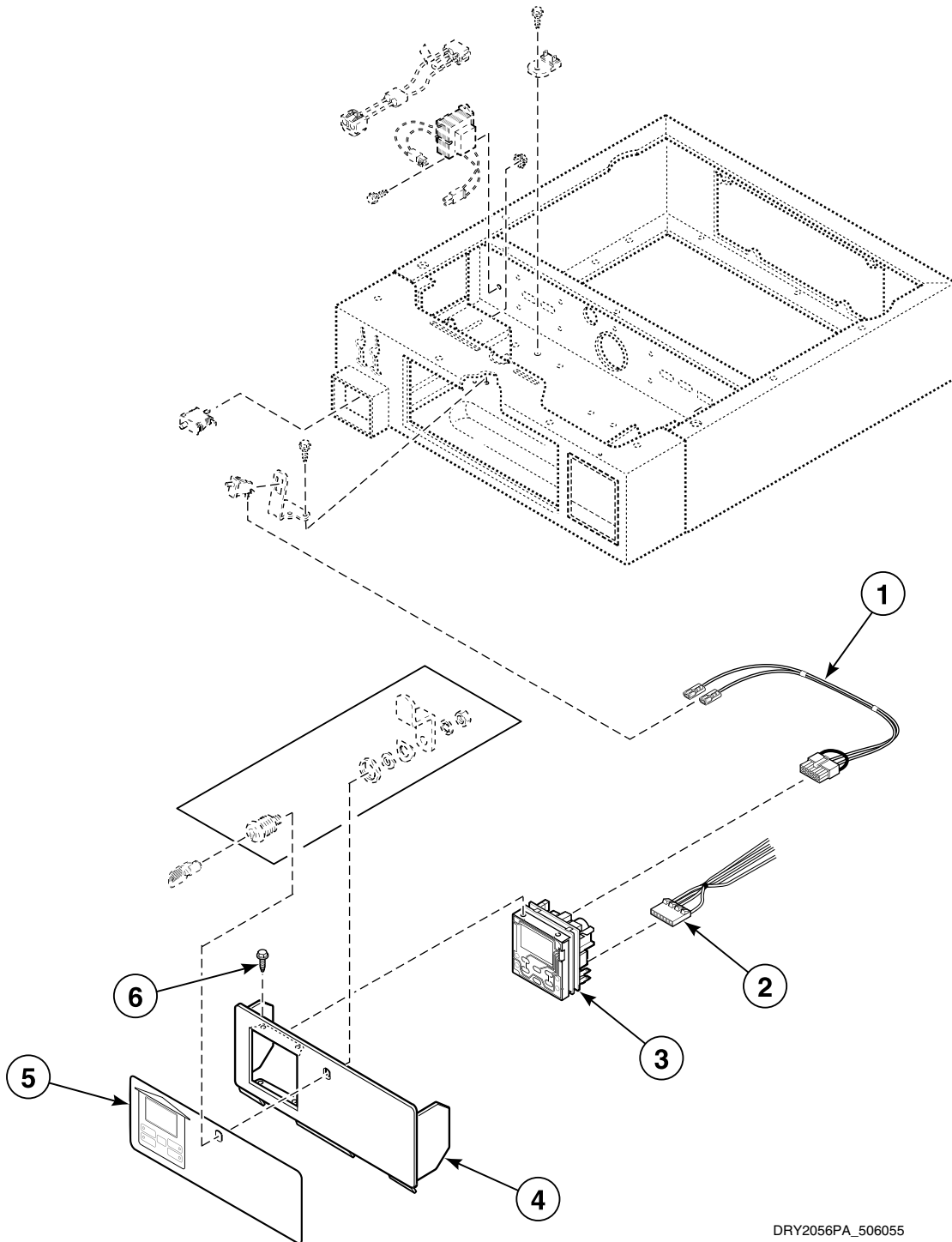
## Control Panel and Controls - Coin Drop and Card Front Control Models (Drawing 1 of 2)

REF	PART NO.	DESCRIPTION	COMMENTS
1	504570	Switch	
2	503688	Screw	
3	201375P	Transformer	Some models may have jumper wire attached to transformer. Discard jumper wire when replacing transformer; Models HFEX07*F1702, HFEY07*F1702, HFGX09*F1102, KFEY17NF1702 and KFGY19NF1102
	210018P	Transformer	Models HFEB07*J1702, KFET17NF1702 and KFGT19NF1102
	210019P	Transformer	All other models
4	M413507	Jumper Configuration Assembly	Attaches to 210019 Transformer; Models BFEX07*G4018, HFGX09*M3013, KFEX17NG3018, KFEX17NG4018, KFEY17NG3018, KFEY17NG4018, KFGX19NM3020, KFGY19NM3020, NFEX07*G3018, NFEX07*G4018, NFGX09*M3013, SFEX07*F3300, SFEX07*F4350, SFEX07*G3018, SFEX07*G4018, SFEX67*G4018, SFEY07*G4018 and SFGX09*M3013
5	210100	Resistor	
6	27260P	Lock Kit	Includes item 7
7	27261	Lock Cam	
8	54612	Key	800
9	800379	Audit Switch Bracket	

\* Add Letter To Designate Color. L - Almond Q - Bisque W - White

# Control Panel and Controls - Coin Drop and Card Front Control Models (Drawing 2 of 2)

Models BFEX07\*G4018, HFE507\*F1702, HFE707\*F1702, HFEB07\*J1702, HFEX07\*F1702, HFEY07\*F1702, HFG509\*F1102, HFG709\*F1102, HFGX09\*F1102, HFGX09\*M3013, KFET17NF1702, KFEX17NG3018, KFEX17NG4018, KFEY17NF1702, KFEY17NG3018, KFEY17NG4018, KFGT19NF1102, KFGX19NM3020, KFGY19NF1102, KFGY19NM3020, NFEX07\*G3018, NFEX07\*G4018, NFGX09\*M3013, SFEX07\*F3300, SFEX07\*F4350, SFEX07\*G3018, SFEX07\*G4018, SFEX67\*G4018, SFEY07\*G4018 and SFGX09\*M3013



DRY2056PA\_506055

## Control Panel and Controls - Coin Drop and Card Front Control Models (Drawing 2 of 2)

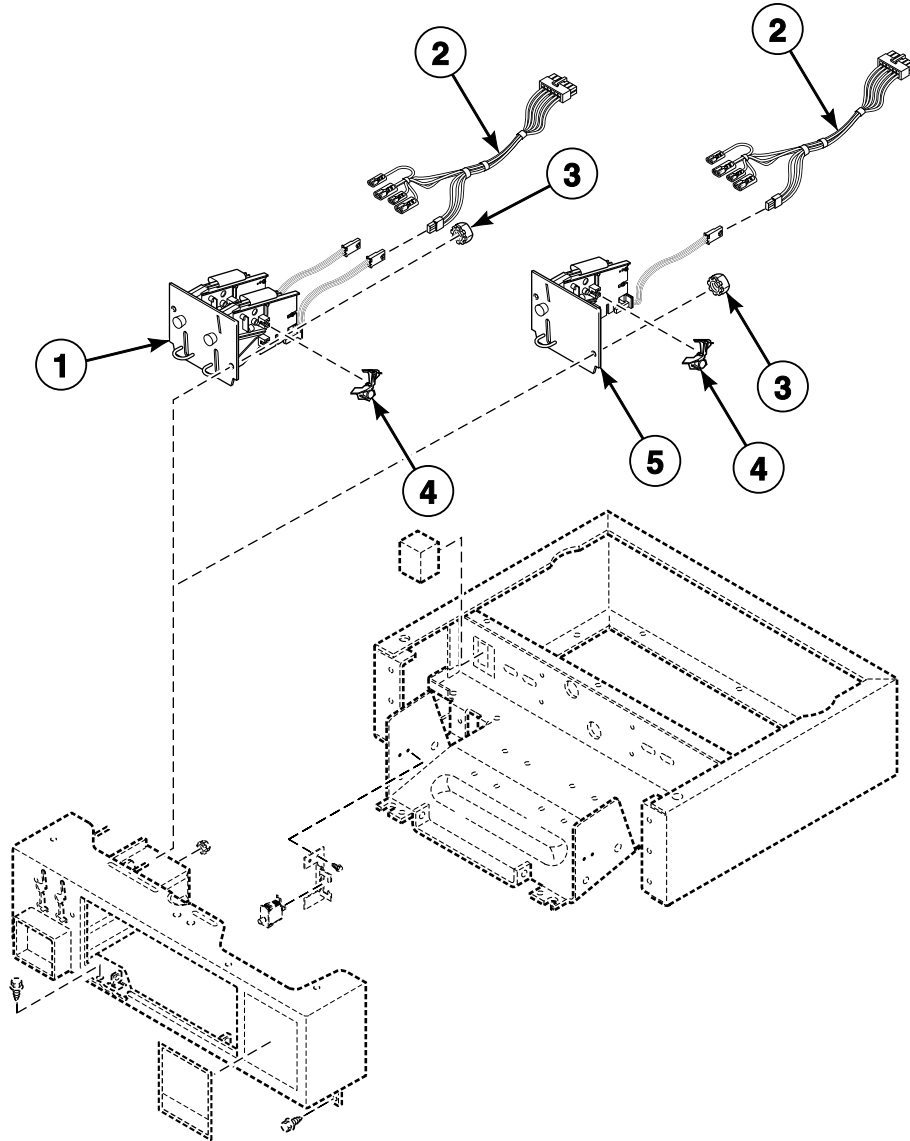
REF	PART NO.	DESCRIPTION	COMMENTS
1	800374	Diagnostic Wire Harness Assembly	Models HFEY07*F1702, KFGY19NF1102, KFGY19NM3020 and SFEY07*G4018
2	511478	MDC Central Pay Harness	From MDC control to customer supplied pay unit; Models KFEY17NF1702, KFEY17NG3018, KFEY17NG4018, KFGY19NF1102 and KFGY19NM3020
3	505905P	Control Kit	Model HFEB07*J1702
	M414050P	Control Kit	120 Volt; Models HFE507*F1702, HFE707*F1702, HFG509*F1102 and HFG709*F1102
	511867P	Control Assembly	All other models
4	505510W	Control Panel and Bracket Assembly	White; Models HFE507*F1702, HFE707*F1702, HFG509*F1102 and HFG709*F1102
	505510L	Control Panel and Bracket Assembly	Almond; Models HFE507*F1702, HFE707*F1702, HFG509*F1102 and HFG709*F1102
	512705	Control Panel Assembly	Models KFET17NF1702, KFEX17NG3018, KFEX17NG4018, KFEY17NF1702, KFEY17NG3018, KFEY17NG4018, KFGT19NF1102, KFGX19NM3020, KFGY19NF1102 and KFGY19NM3020
	510077W	Control Panel and Bracket Assembly	All other models
5	511899	Graphic Overlay	Models SFEX07*G3018, SFEX07*G4018, SFEX67*G4018, SFEY07*G4018 and SFGX09*M3013
	512008	Graphic Overlay	Model BFEX07*G4018
	512029	Graphic Overlay	Model HFGX09*M3013
	511573	Graphic Overlay	Models SFEX07*F3300 and SFEX07*F4350
	N/A	Graphic Overlay	Model HFEB07*J1702
	512102	Graphic Overlay	Models HFEX07*F1702, HFEY07*F1702 and HFGX09*F1102
	512534	Graphic Overlay	Models NFEX07*G3018, NFEX07*G4018 and NFGX09*M3013
	505695	Graphic Overlay	Models HFE507*F1702, HFE707*F1702, HFG509*F1102 and HFG709*F1102
	512726	Graphic Overlay	All other models
6	501524	Screw	

\* Add Letter To Designate Color. L - Almond Q - Bisque W - White

N/A = Part no longer available

# Non-Electronic Coin Drop - Front Control Models

Models BFEX07\*G4018, HFE507\*F1702, HFEB07\*J1702, HFEX07\*F1702, HFG509\*F1102, HFGX09\*F1102, HFGX09\*M3013, KFET17NF1702, KFEX17NG3018, KFEX17NG4018, KFGT19NF1102, KFGX19NM3020, NFEX07\*G3018, NFEX07\*G4018, NFGX09\*M3013, SFEX07\*F3300, SFEX07\*F4350, SFEX07\*G3018, SFEX07\*G4018, SFEX67\*G4018 and SFGX09\*M3013



DRY2096P\_506055



## Non-Electronic Coin Drop - Front Control Models

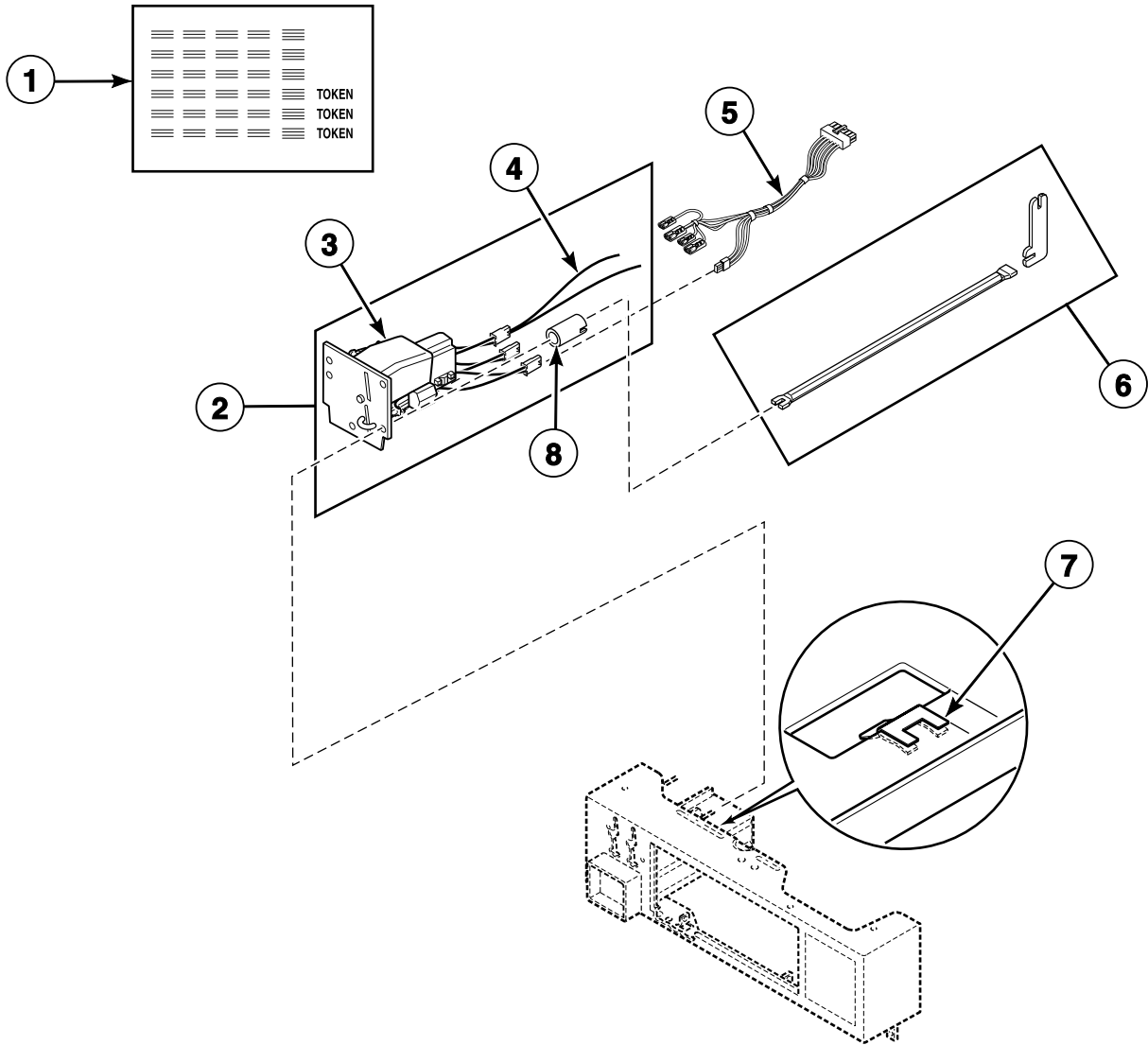
REF	PART NO.	DESCRIPTION	COMMENTS
1	N/A	Coin Drop Assembly	Belgium, Denmark, France, Italy and Taiwan coins
	200578P	Coin Drop Assembly	Canada; \$.25 and \$1.00
	38467	Coin Drop Assembly	Australia; \$.20 and \$1.00
	38472	Coin Drop Assembly	England; 20 pence and 1 pound
	38519	Coin Drop Assembly	Japan; 100 and 500 yen
	38521	Coin Drop Assembly	Korea; 100 and 500 won
	38522	Coin Drop Assembly	New Zealand; \$.20 and \$1.00
	39157	Coin Drop Assembly	Israel; 1 and 5 shekel
2	800213P	Dual Coin Harness	Coin drop; Models BFEX07*G4018, HFGX09*M3013, KFEX17NG3018, KFEX17NG4018, KFGX19NM3020, NFEX07*G3018, NFEX07*G4018, NFGX09*M3013, SFEX07*F3300, SFEX07*F4350, SFEX07*G3018, SFEX07*G4018, SFEX67*G4018 and SFGX09*M3013
	800212P	Coin Drop Harness	Models KFET17NF1702 and KFGT19NF1102
3	29786	Nut	
4	201595P	Wire Guard	Anti-stringing security device; Add to coin drops beginning January 2005
5	38462P	Coin Drop Assembly	Token; 118-1 mzp
	38463	Coin Drop Assembly	Token; 118-5 mzp
	38464P	Coin Drop Assembly	Canada; \$.25
	38475	Coin Drop Assembly	Japan; 100 yen
	CK077	Coin Drop Kit	Taiwan; 10 NT
	38479P	Coin Drop	U.S.; \$.25
	38963P	Coin Drop	Token; 118-16 mzp; 5 NT

\* Add Letter To Designate Color. L - Almond Q - Bisque W - White

N/A = Part no longer available

# Electronic Coin Drop - Front Control Models

Models BFEX07\*G4018, HFEX07\*F1702, HFGX09\*F1102, HFGX09\*M3013, KFEX17NG3018, KFEX17NG4018, KFGX19NM3020, NFEX07\*G3018, NFEX07\*G4018, NFGX09\*M3013, SFEX07\*F3300, SFEX07\*F4350, SFEX07\*G3018, SFEX07\*G4018, SFEX67\*G4018 and SFGX09\*M3013



DRY2097P\_506055

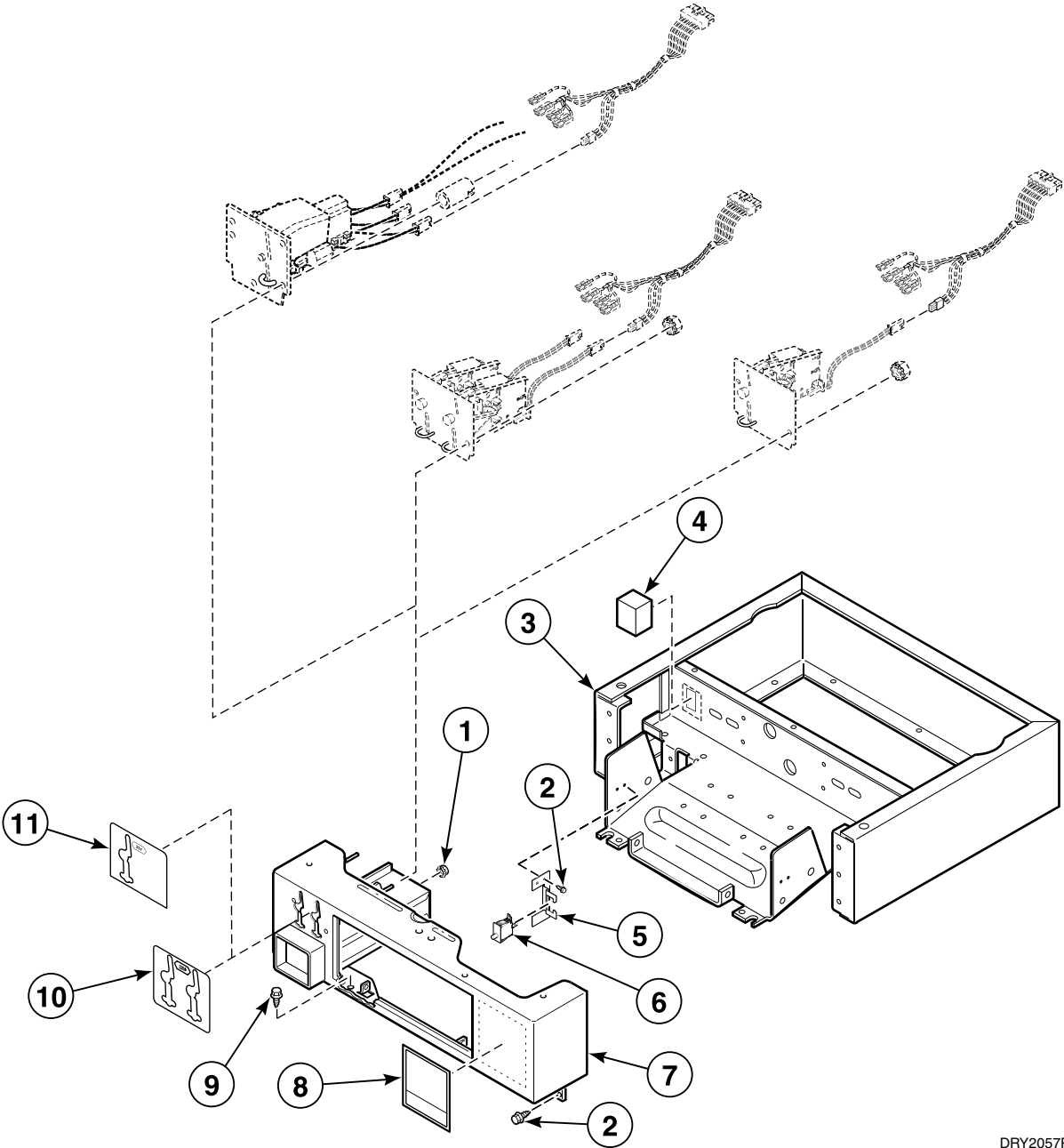
## Electronic Coin Drop - Front Control Models

REF	PART NO.	DESCRIPTION	COMMENTS
1	38725	Coin Identification Paper	For use with items 2 and 3
2	CK095	Electronic Coin Drop Kit	Includes items 3-5; United States, Canada, Japan and Taiwan coins
	CK099	Electronic Coin Drop Kit	Includes items 3-5; Australia, New Zealand, Hong Kong and South Korea coins
	CK100	Electronic Coin Drop Kit	Includes items 3-5; Euro and Great Britain coins
	CK101	Electronic Coin Drop Kit	Includes items 3-5; Euro, Denmark and Norway coins
	CK103	Electronic Coin Drop Kit	Includes items 3-5; Euro, Lithuania and Latvia coins
	CK106	Electronic Coin Drop Kit	Includes items 3-5; Malaysia, Russia, China and Singapore coins
	CK108	Electronic Coin Drop Kit	Includes items 3-5; South Africa coins
	CK109	Electronic Coin Drop Kit	Includes items 3-5; Euro coins
3	70294101P	Electronic Coin Drop Assembly	United States, Canada, Japan and Taiwan coins
	70294105P	Electronic Coin Drop Assembly	Australia, New Zealand, Hong Kong, South Korea and Malaysia coins
	70294103P	Electronic Coin Drop Assembly	Euro and Great Britain coins
	70294104	Electronic Coin Drop Assembly	Euro, Denmark and Norway coins
	70294107	Electronic Coin Drop Assembly	Euro, Lithuania and Latvia coins
	70294109	Electronic Coin Drop Assembly	Malaysia, Russia, China and Singapore coins
	70294110	Electronic Coin Drop Assembly	South Africa coins
	70294111	Electronic Coin Drop Assembly	Euro coins
4	201104	Coin Drop Wire Harness	For use with items 2 and 3
5	800213P	Dual Coin Harness	Coin drop; Models BFEX07*G4018, HFGX09*M3013, KFEX17NG3018, KFEX17NG4018, KFGX19NM3020, NFEX07*G3018, NFEX07*G4018, NFGX09*M3013, SFEX07*F3300, SFEX07*F4350, SFEX07*G3018, SFEX07*G4018, SFEX67*G4018 and SFGX09*M3013
6	CK096	Mounting Tool Kit	For use with items 2 and 3
7	201572	Clip	For use with items 2 and 3
8	201216	Nut	For use with items 2 and 3

\* Add Letter To Designate Color. L - Almond Q - Bisque W - White

# Control Cabinet Controls - Front Control Coin Drop Models

Models BFEX07\*G4018, HFE507\*F1702, HFEB07\*J1702, HFEX07\*F1702, HFG509\*F1102, HFGX09\*F1102, HFGX09\*M3013, KFET17NF1702, KFEX17NG3018, KFEX17NG4018, KFGT19NF1102, KFGX19NM3020, NFEX07\*G3018, NFEX07\*G4018, NFGX09\*M3013, SFEX07\*F3300, SFEX07\*F4350, SFEX07\*G3018, SFEX07\*G4018, SFEX67\*G4018 and SFGX09\*M3013



DRY2057P\_506055

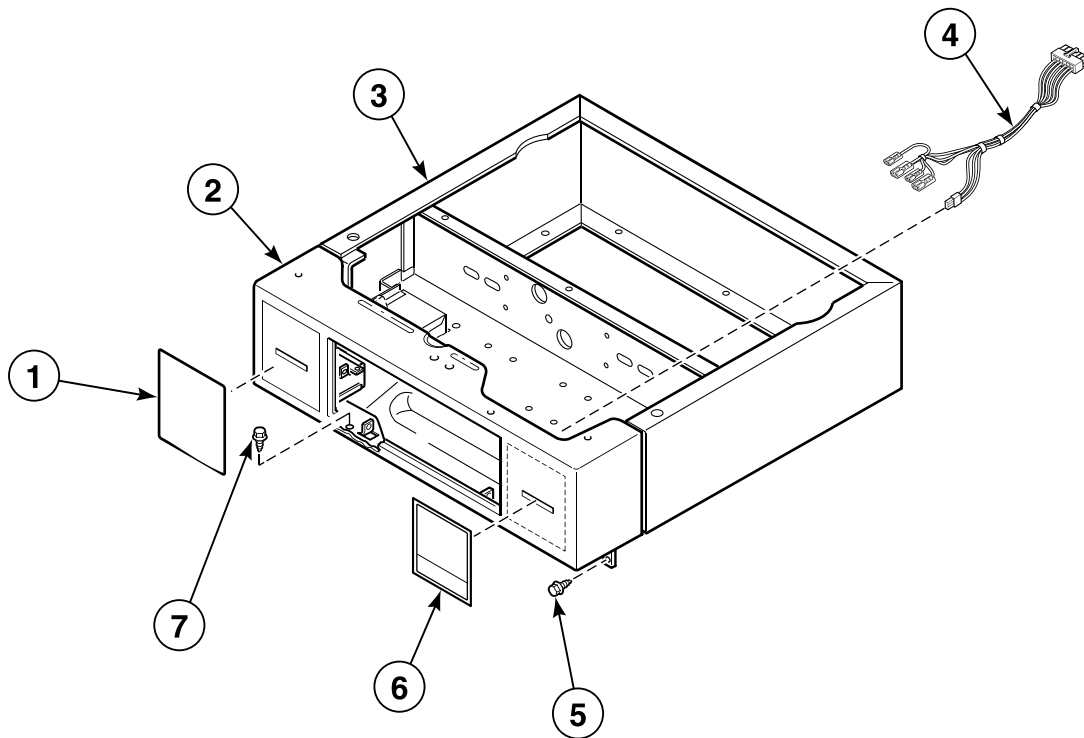
## Control Cabinet Controls - Front Control Coin Drop Models

REF	PART NO.	DESCRIPTION	COMMENTS
1	80077	Nut	
2	M405188	Screw	Models KFET17NF1702, KFEX17NG3018, KFEX17NG4018, KFGT19NF1102 and KFGX19NM3020
	503688	Screw	All other models
3	512711	Security Cabinet Wrapper Assembly	Models KFET17NF1702, KFEX17NG3018, KFEX17NG4018, KFGT19NF1102 and KFGX19NM3020
	505753WP	Wrapper and Channel Assembly	White; All other models
	505753LP	Wrapper and Channel Assembly	Almond; All other models
	505753QP	Wrapper and Channel Assembly	Bisque; All other models
4	38571	Multiplier Assembly	Models HFE507*F1702 and HFG509*F1102
5	38087	Door Switch Bracket	Models HFE507*F1702 and HFG509*F1102
6	504570	Switch	Models HFE507*F1702 and HFG509*F1102
7	512708	Security Cabinet Front Assembly	Models KFET17NF1702, KFEX17NG3018, KFEX17NG4018, KFGT19NF1102 and KFGX19NM3020
	511633WP	Security Cabinet Front Assembly	White; All other models
	511633LP	Security Cabinet Front Assembly	Almond; All other models
	511633QP	Security Cabinet Front Assembly	Bisque; All other models
8	504585	Instruction Overlay	Models BFEX07*G4018, HFE507*F1702, HFEB07*J1702, HFEX07*F1702, HFGX09*F1102, NFGX09*M3013, SFEX07*F3300 and SFEX07*F4350
9	502431	Screw	
10	39073	Dual Overlay	Model HFEB07*J1702
11	512821	Single Overlay	Models KFET17NF1702, KFEX17NG3018, KFEX17NG4018, KFGT19NF1102 and KFGX19NM3020

\* Add Letter To Designate Color. L - Almond Q - Bisque W - White

# Control Cabinet Controls - Front Control Card Reader Ready Models

Models HFEY07\*F1702, KFEY17NF1702, KFEY17NG3018, KFEY17NG4018,  
KFGY19NF1102, KFGY19NM3020 and SFEY07\*G4018



DRY2058P\_506055

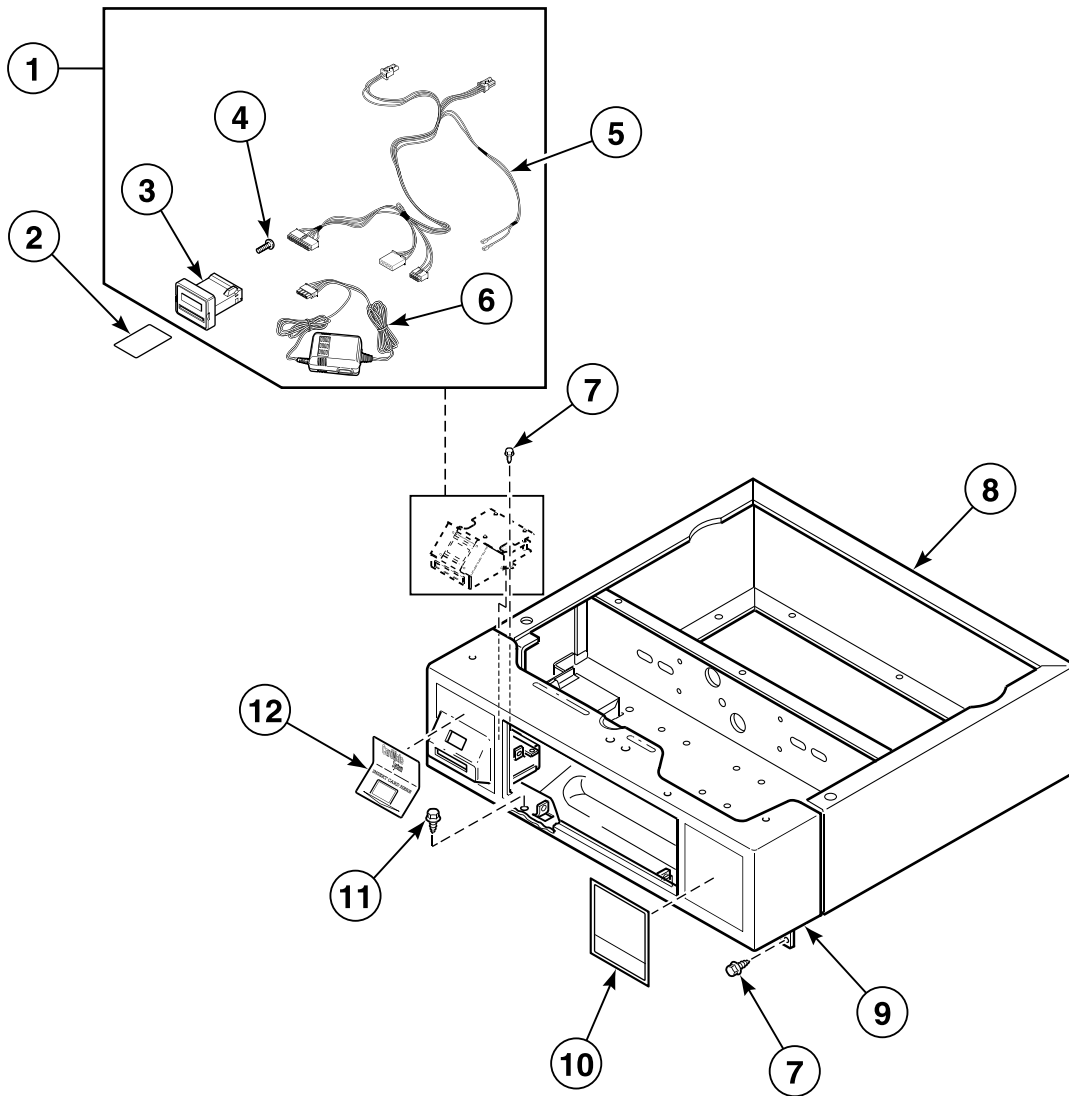
## Control Cabinet Controls - Front Control Card Reader Ready Models

REF	PART NO.	DESCRIPTION	COMMENTS
1	511561	Card Insert Overlay	Black; Model SFEY07*G4018
	511548	Card Insert Overlay	Gray; Model HFEY07*F1702
	512824	Blank Black Label	All other models
2	511209WP	Security Cabinet Front Assembly	White; Models HFEY07*F1702 and SFEY07*G4018
	511209L	Security Cabinet Front Assembly	Almond; Models HFEY07*F1702 and SFEY07*G4018
	511209Q	Security Cabinet Front Assembly	Bisque; Models HFEY07*F1702 and SFEY07*G4018
	512718	Security Cabinet Front Assembly	All other models
3	505753WP	Wrapper and Channel Assembly	White; Models HFEY07*F1702 and SFEY07*G4018
	505753LP	Wrapper and Channel Assembly	Almond; Models HFEY07*F1702 and SFEY07*G4018
	505753QP	Wrapper and Channel Assembly	Bisque; Models HFEY07*F1702 and SFEY07*G4018
	512711	Security Cabinet Wrapper Assembly	All other models
4	800213P	Dual Coin Harness	Models KFEY17NG3018 and KFEY17NG4018
5	503688	Screw	Models HFEY07*F1702 and SFEY07*G4018
	M405188	Screw	All other models
6	504585	Instruction Overlay	
7	502431	Screw	

\* Add Letter To Designate Color. Q - Bisque W - White

# Card Reader - Front Control Card Reader Ready and Installed Models

Models HFE707\*F1702 and HFG709\*F1102



DRY2034P\_506055



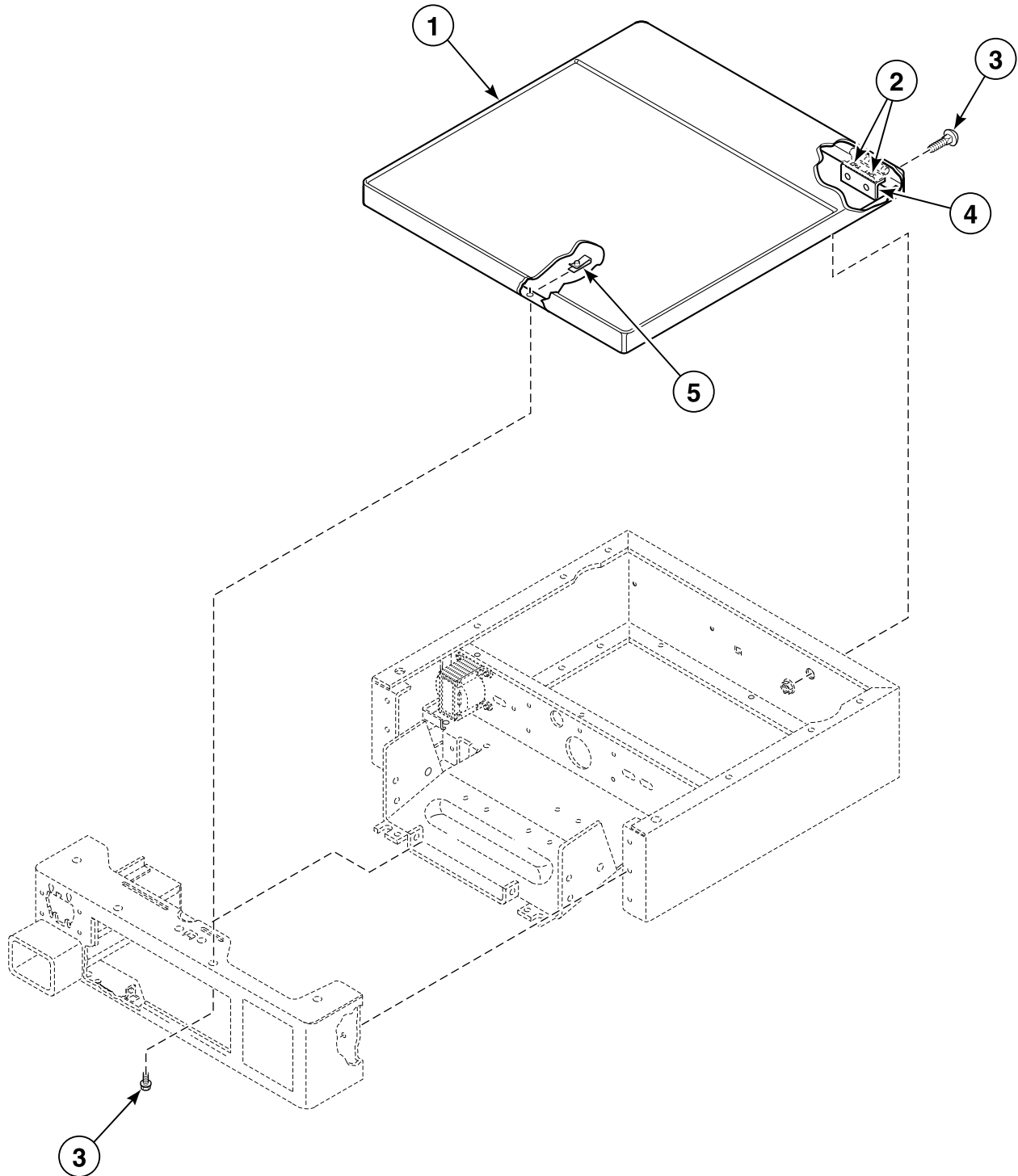
## Card Reader - Front Control Card Reader Ready and Installed Models

REF	PART NO.	DESCRIPTION	COMMENTS
1	876P3	Card Reader Kit	Includes items 3-6
2	512499P	Programming Card	
3	512473	Card Reader	
4	512505	Bolt	
5	512501	Harness	
6	512496	Power Supply	
7	503688	Screw	
8	505753WP	Wrapper and Channel Assembly	White
	505753LP	Wrapper and Channel Assembly	Almond
	505753QP	Wrapper and Channel Assembly	Bisque
9	505699WP	Security Cabinet Front Assembly	Use with item 1
	505542W	Security Cabinet Front Assembly	White; Use with 39685 Card Reader
10	504585	Instruction Overlay	
11	502431	Screw	
12	38192	Card Reader Instruction Overlay	

\* Add Letter To Designate Color. L - Almond Q - Bisque W - White

# Cabinet Top - Front Control Coin Slide, Coin Drop Ready and Card Reader Ready Models

Models BFEX07\*G4018, HDEY07\*F99N2, HFE167\*G4018, HFEB07\*J1702, HFEX07\*F1702, HFEY07\*F1702, HFGX09\*F1102, HFGX09\*M3013, KFET17NF1702, KFEX17NG3018, KFEX17NG4018, KFEY17NF1702, KFEY17NG3018, KFEY17NG4018, KFGT19NF1102, KFGX19NM3020, KFGY19NF1102, KFGY19NM3020, NFEX07\*G3018, NFEX07\*G4018, NFGX09\*M3013, SFEX07\*F3300, SFEX07\*F4350, SFEX07\*G3018, SFEX07\*G4018, SFEX67\*G4018, SFEY07\*G4018 and SFGX09\*M3013



DRY1805P\_506055

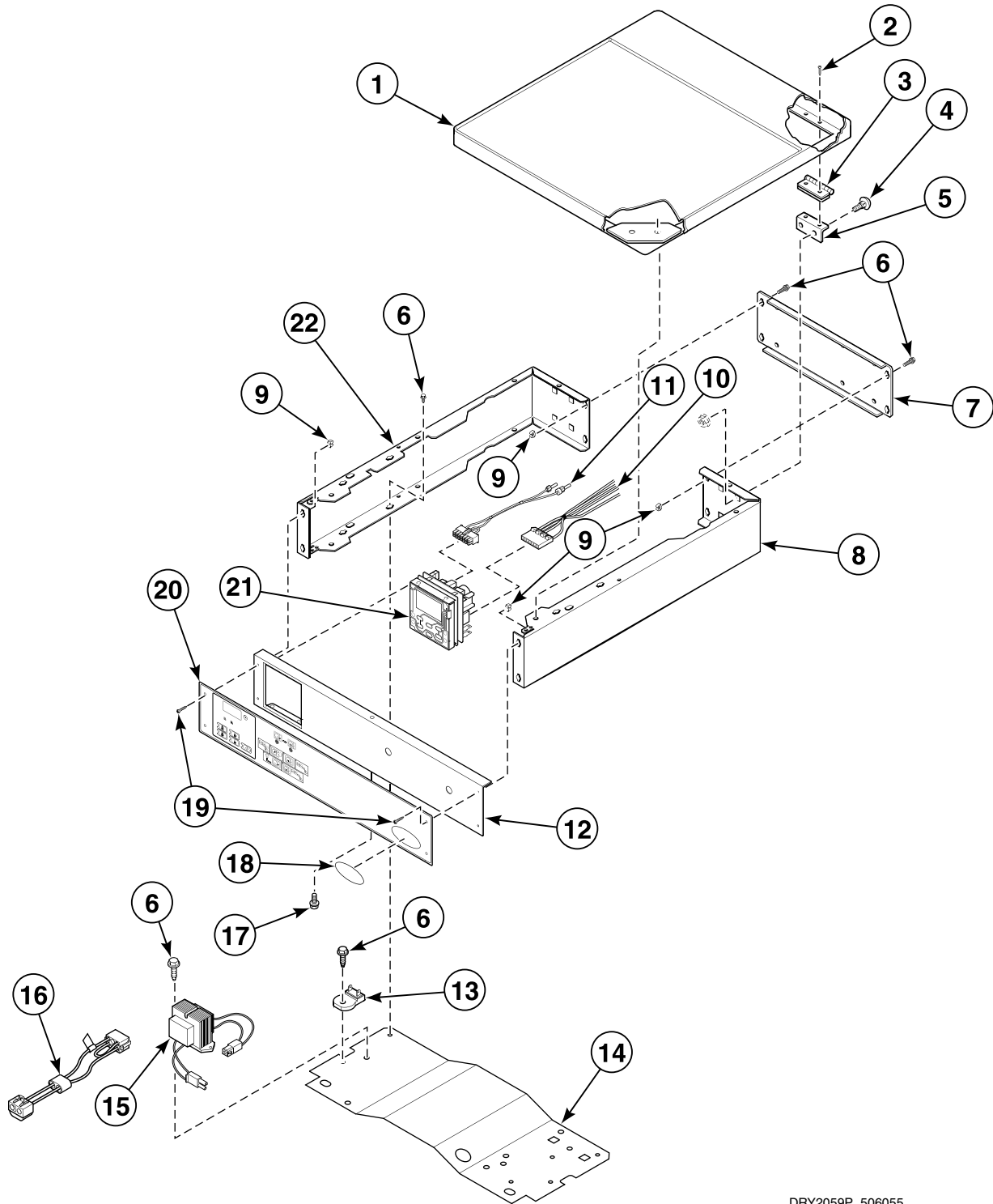
## Cabinet Top - Front Control Coin Slide, Coin Drop Ready and Card Reader Ready Models

REF	PART NO.	DESCRIPTION	COMMENTS
1	511631	Stainless Steel Top	Models HFE167*G4018, KFET17NF1702, KFEX17NG3018, KFEX17NG4018, KFEY17NF1702, KFEY17NG3018, KFEY17NG4018, KFGT19NF1102, KFGX19NM3020, KFGY19NF1102, KFGY19NM3020 and SFEX67*G4018
	802247WP	Top and Gusset Assembly	White; All other models
	802247LP	Top and Gusset Assembly	Almond; All other models
	802247QP	Top and Gusset Assembly	Bisque; All other models
2	685847	Pop Rivet	
3	23008	Screw	
4	504228	Top Mounting Bracket	
5	36020	Nut	

\* Add Letter To Designate Color. Q - Bisque W - White

# Control Cabinet - Front Control Non-Vend Models

Models BFEL07\*G4018, HFEL47\*G4018, HFEL67\*G4018, NFEL47\*G4018,  
NFEL67\*G4018, NFGL49\*M3013 and SFEL67\*G4018



DRY2059P\_506055

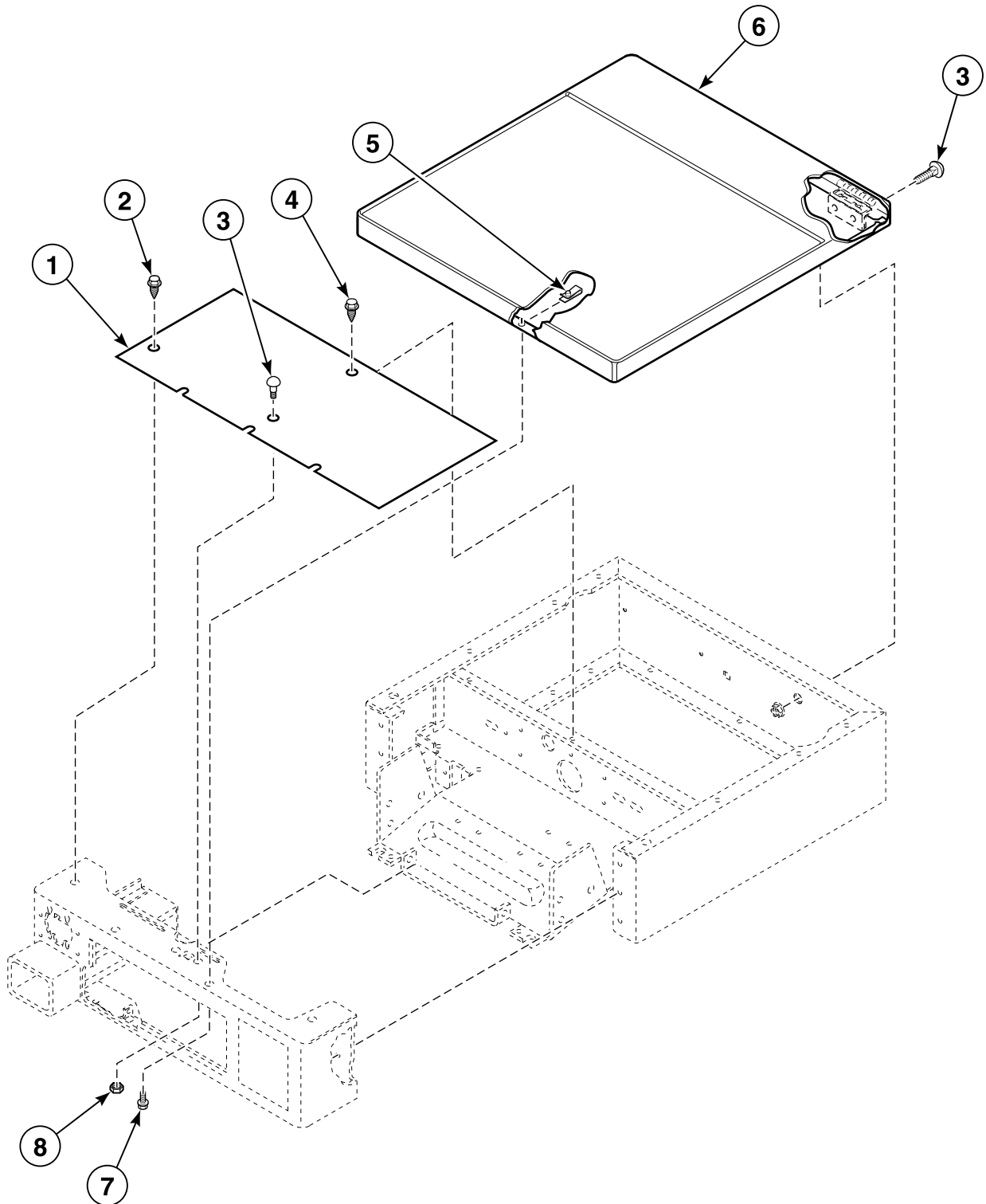
## Control Cabinet - Front Control Non-Vend Models

REF	PART NO.	DESCRIPTION	COMMENTS
1	802247WP	Top and Gusset Assembly	White; Model BFEL07*G4018
	802247LP	Top and Gusset Assembly	Almond; Model BFEL07*G4018
	802247QP	Top and Gusset Assembly	Bisque; Model BFEL07*G4018
	511631	Stainless Steel Top	All other models
2	685847	Pop Rivet	
3	511036	Hinge	
4	29651	Bolt	
5	504228	Top Mounting Bracket	
6	503688	Screw	
7	801058	Rear Control Cabinet	
8	800915W	Right Control Cabinet Side	White
	800915L	Right Control Cabinet Side	Almond
	800915Q	Right Control Cabinet Side	Bisque
9	70030501	Expansion Clip	
10	511478	MDC Central Pay Harness	
11	800680	Diagnostic Wire Harness Assembly	Models BFEL07*G4018, NFEL47*G4018 and NFGL49*M3013
12	511648W	Control Panel	
13	210100	Resistor	
14	801488	Control Cabinet Bottom	
15	210019P	Transformer	
16	M413507	Jumper Configuration Assembly	Attaches to 210019P Transformer
17	23008	Screw	
18	800922	Domed Label	Models HFEL47*G4018 and HFEL67*G4018
	800921	Domed Label	Model SFEL67*G4018
19	800930	Screw	
20	512054	Graphic Overlay	Model BFEL07*G4018
	511654	Graphic Overlay	All other models
21	511867P	Control Assembly	
22	800900WP	Left Control Cabinet Side	White
	800900LP	Left Control Cabinet Side	Almond
	800900QP	Left Control Cabinet Side	Bisque

\* Add Letter To Designate Color. Q - Bisque W - White

# Cabinet Top - Front Control Coin Drop and Card Reader Installed Models

Models HFE507\*F1702, HFE707\*F1702, HFG509\*F1102 and HFG709\*F1102



DRY1809P\_506055

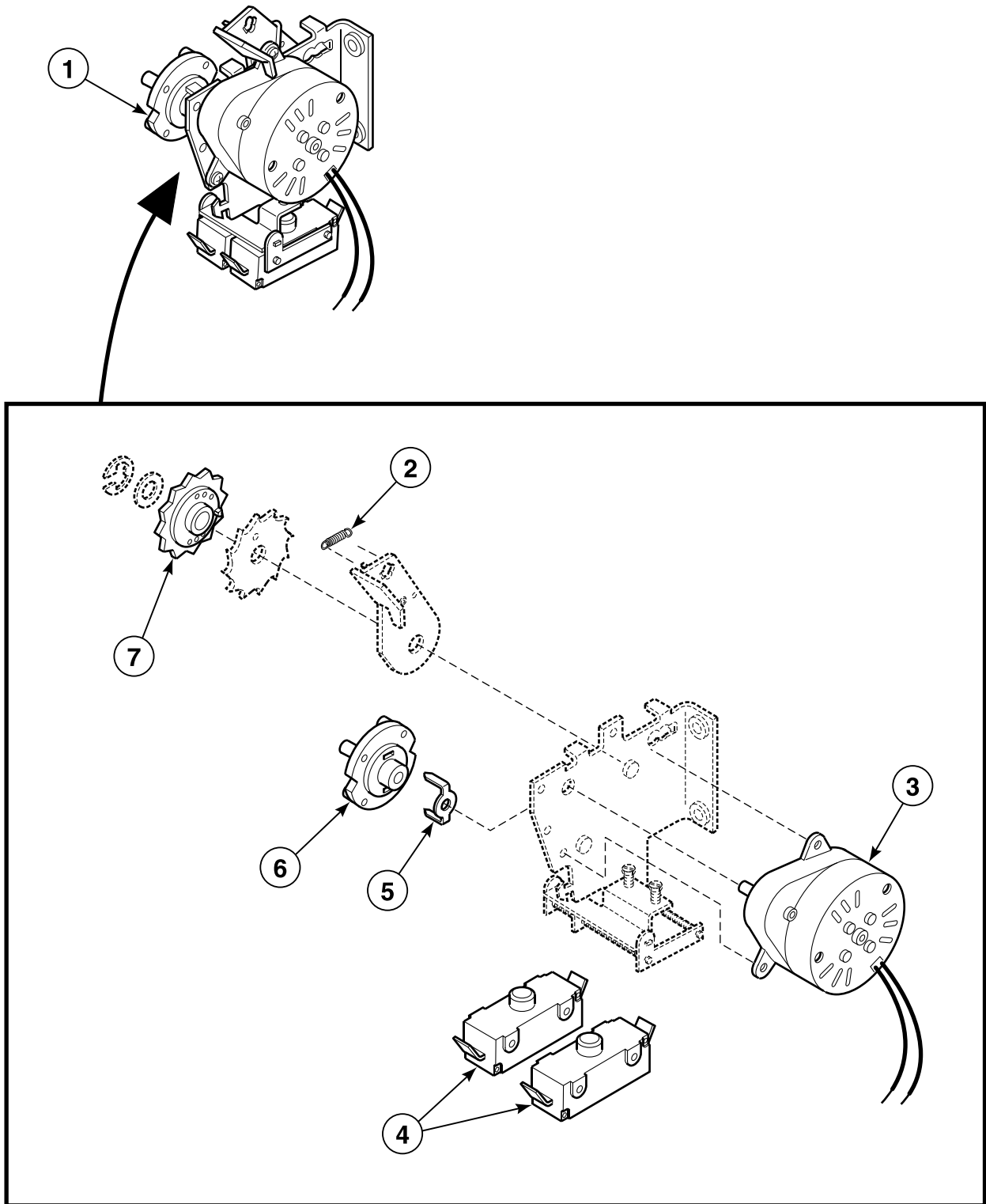
## Cabinet Top - Front Control Coin Drop and Card Reader Installed Models

REF	PART NO.	DESCRIPTION	COMMENTS
1	N/A	Security Top Panel	
2	36048	Screw	
3	29651	Bolt	
4	503688	Screw	
5	36020	Nut	
6	802247WP	Top and Gusset Assembly	White
	802247LP	Top and Gusset Assembly	Almond
	802247QP	Top and Gusset Assembly	Bisque
7	23008	Screw	
8	29796	Nut	

\* Add Letter To Designate Color. L - Almond Q - Bisque W - White  
N/A = Part no longer available

# Accumulator - Coin Slide Models

Models HDE107\*F1502, HDE107\*F1702, HDE107\*F3000, HDE107\*G3003, HDE107\*G3018, HDE107\*G4018, HDG109\*F1102, HDG109\*F3000, HDG109\*G3013, HDG109\*M3013, HFE167\*G4018, SDE107\*F3000, SDE107\*F4350, SDE107\*F5412, SDE107\*F5417, SDE107\*G3018, SDE107\*G4018, SDG109\*F3000, SDG109\*F3058, SDG109\*F3060, SDG109\*F5412, SDG109\*G3013 and SDG109\*M3013



DRY1852P\_506055



## Accumulator - Coin Slide Models

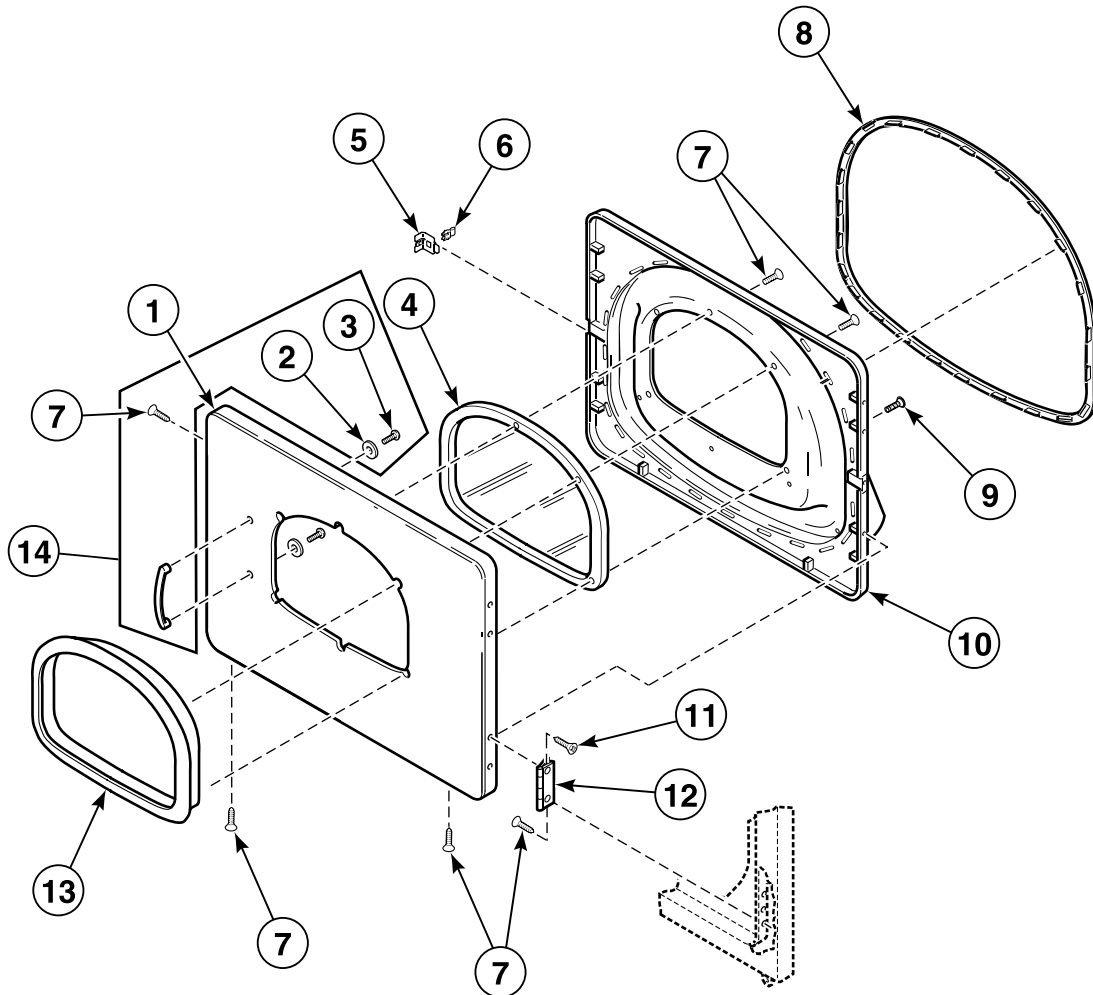
REF	PART NO.	DESCRIPTION	COMMENTS
1	510629P	Accumulator Replacement Kit	240 Volt/50 Hertz; 2 switch; Model HFE167*G4018
	501627P	Timer	230 Volt/60 Hertz; 2 switch; Models SDE107*F5412, SDE107*F5417 and SDG109*F5412
	501754P	Timer Assembly	Rear control; 240 Volt/50 Hertz; 2 switch; Models HDE107*F3000, HDE107*G3003, HDE107*G3018, HDE107*G4018, HDG109*F3000, HDG109*M3013, SDE107*F3000, SDE107*F4350, SDE107*G3018, SDE107*G4018, SDG109*F3000, SDG109*F3058, SDG109*F3060 and SDG109*M3013
	501757P	Timer	Rear control; 120 Volt/60 Hertz; 2 switch; Models HDE107*F1502, HDE107*F1702 and HDG109*F1102
	510632P	Accumulator Kit	Rear control; 240 Volt/50 Hertz; 2 switch; Models HDG109*G3013 and SDG109*G3013
2	N/A	Pawl Spring	
3	512017P	Timer Motor	120 Volt/60 Hertz; Models HDE107*F1502, HDE107*F1702 and HDG109*F1102
4	N/A	Switch	
5	M400754	Coin Meter Drive	
6	53240	Timing Cam	60 minute; 3 pin
	53241	Timing Cam	45 minute; 4 pin
	53242	Timing Cam	30 minute; 6 pin
	53243	Timing Cam	20 minute; 9 pin
7	53239	Ratchet Wheel	

\* Add Letter To Designate Color. L - Almond Q - Bisque W - White

N/A = Part no longer available

# Loading Door with Window

Models KFET17NF1702, KFEX17NG3018, KFEX17NG4018, KFEY17NF1702, KFEY17NG3018, KFEY17NG4018, KFGT19NF1102, KFGX19NM3020, KFGY19NF1102 and KFGY19NM3020



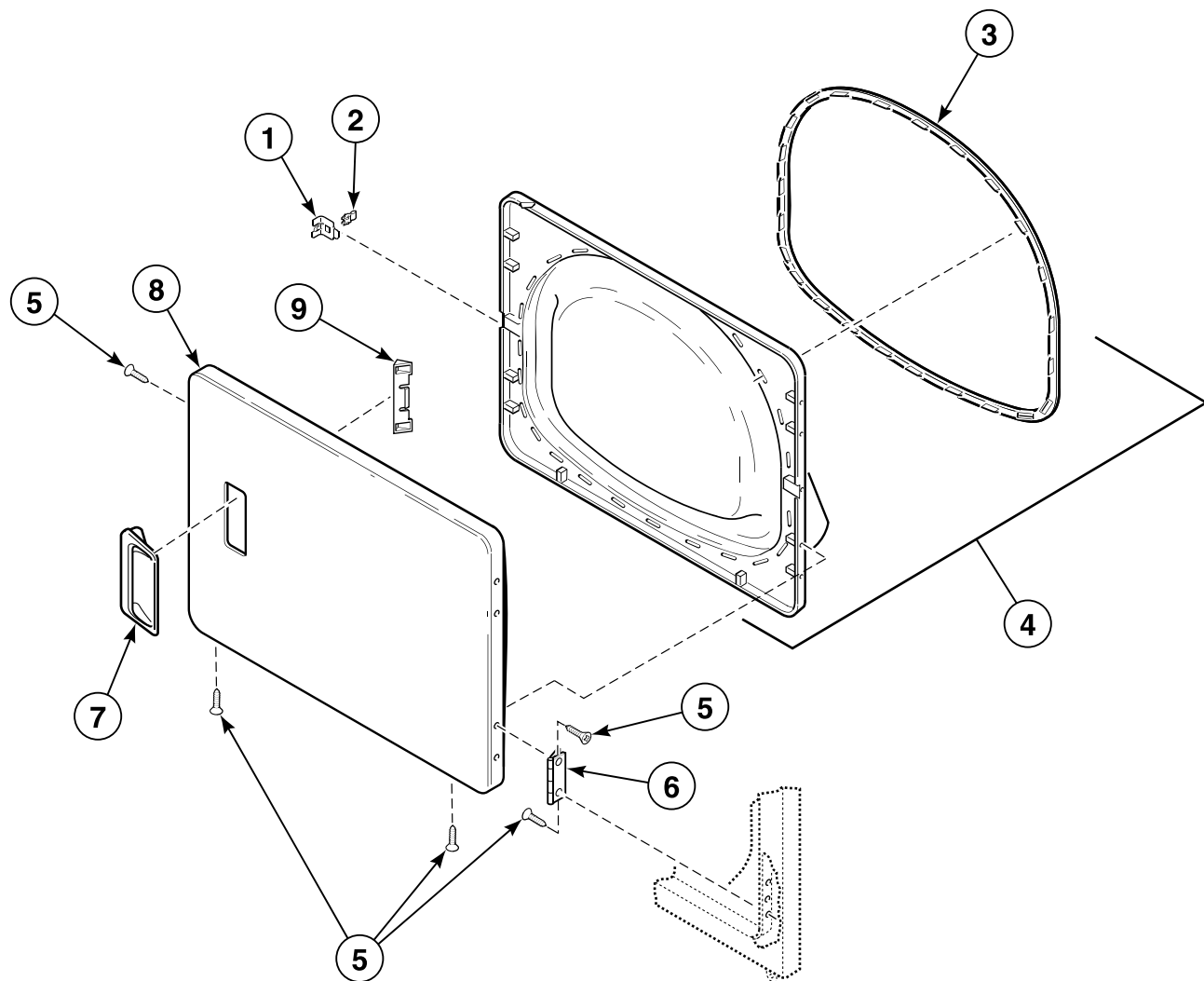
DRY2041P\_506055

## Loading Door with Window

REF	PART NO.	DESCRIPTION	COMMENTS
1	512699	Dryer Door	
2	29260	Washer	
3	512631	Screw	
4	503982	Dryer Door Window	
5	510127	Door Strike Mount	
6	510181	Door Strike	
7	500226	Screw	
8	510147P	Liner Door Seal	
9	505870	Screw	
10	512914	Liner Assembly	
11	505295	Screw	
12	511036	Hinge	
13	512632	Window Trim	Gray
14	512620P	Door Pull Kit	Includes items 2 and 3

## Loading Door without Window

All Models Except KFET17NF1702, KFEX17NG3018, KFEX17NG4018, KFEY17NF1702, KFEY17NG3018, KFEY17NG4018, KFGT19NF1102, KFGX19NM3020, KFGY19NF1102 and KFGY19NM3020

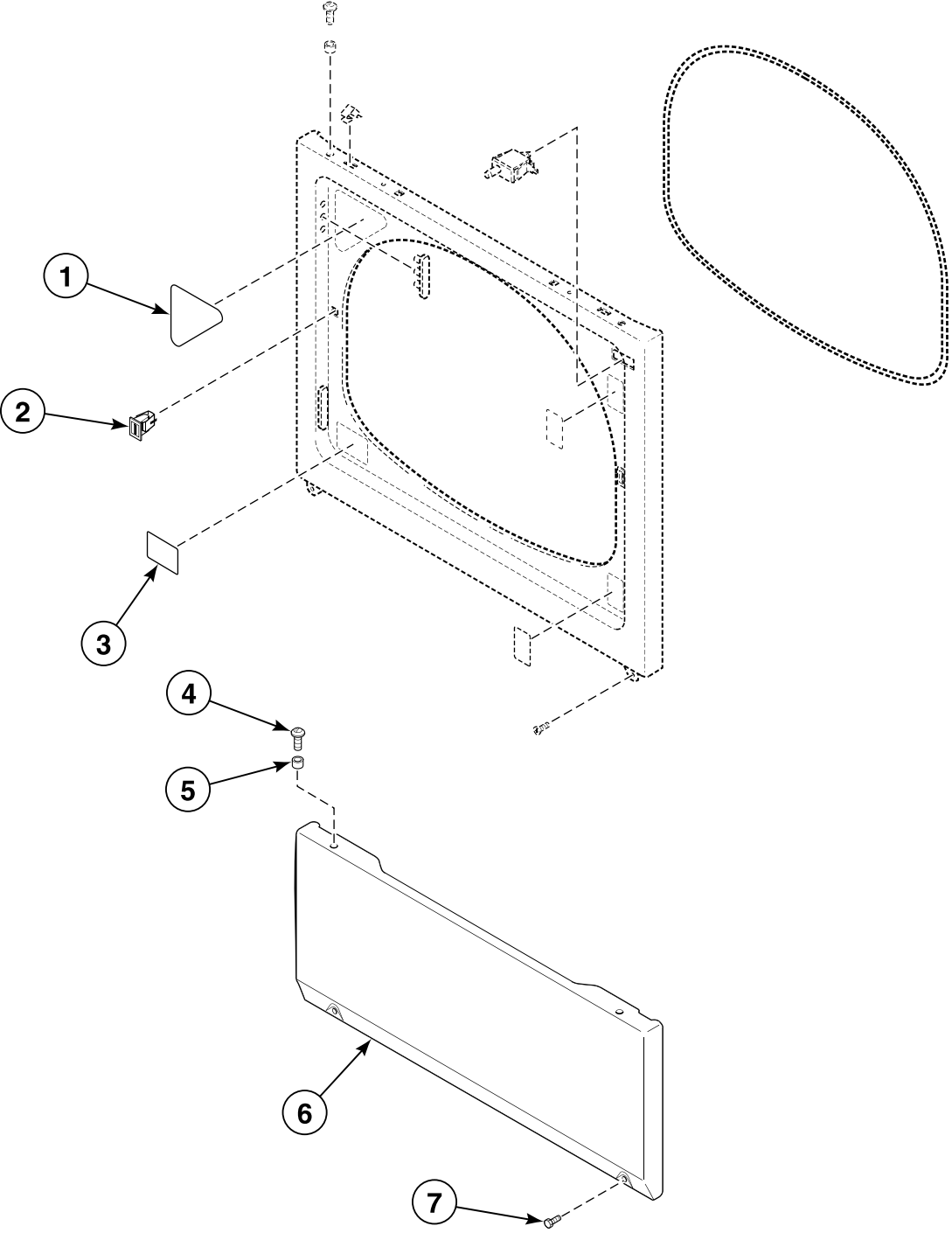


DRY1857P\_506055

## Loading Door without Window

REF	PART NO.	DESCRIPTION	COMMENTS
1	510127	Door Strike Mount	
2	510181	Door Strike	
3	510147P	Liner Door Seal	
4	510163WP	Liner, Seal and Grill Assembly	Includes item 3
5	505295	Screw	
6	511036	Hinge	
7	510103WP	Door Pull and Wedge Kit	White; Includes item 9
	510103LP	Door Pull and Wedge Kit	Almond; Includes item 9
	510103QP	Door Pull and Wedge Kit	Bisque; Includes item 9
8	510013WP	Dryer Door	White
	510013GP	Dryer Door	Gray
	510013LP	Dryer Door	Almond
	510013QP	Dryer Door	Bisque
9	510129	Door Handle Wedge	

# Access Panel



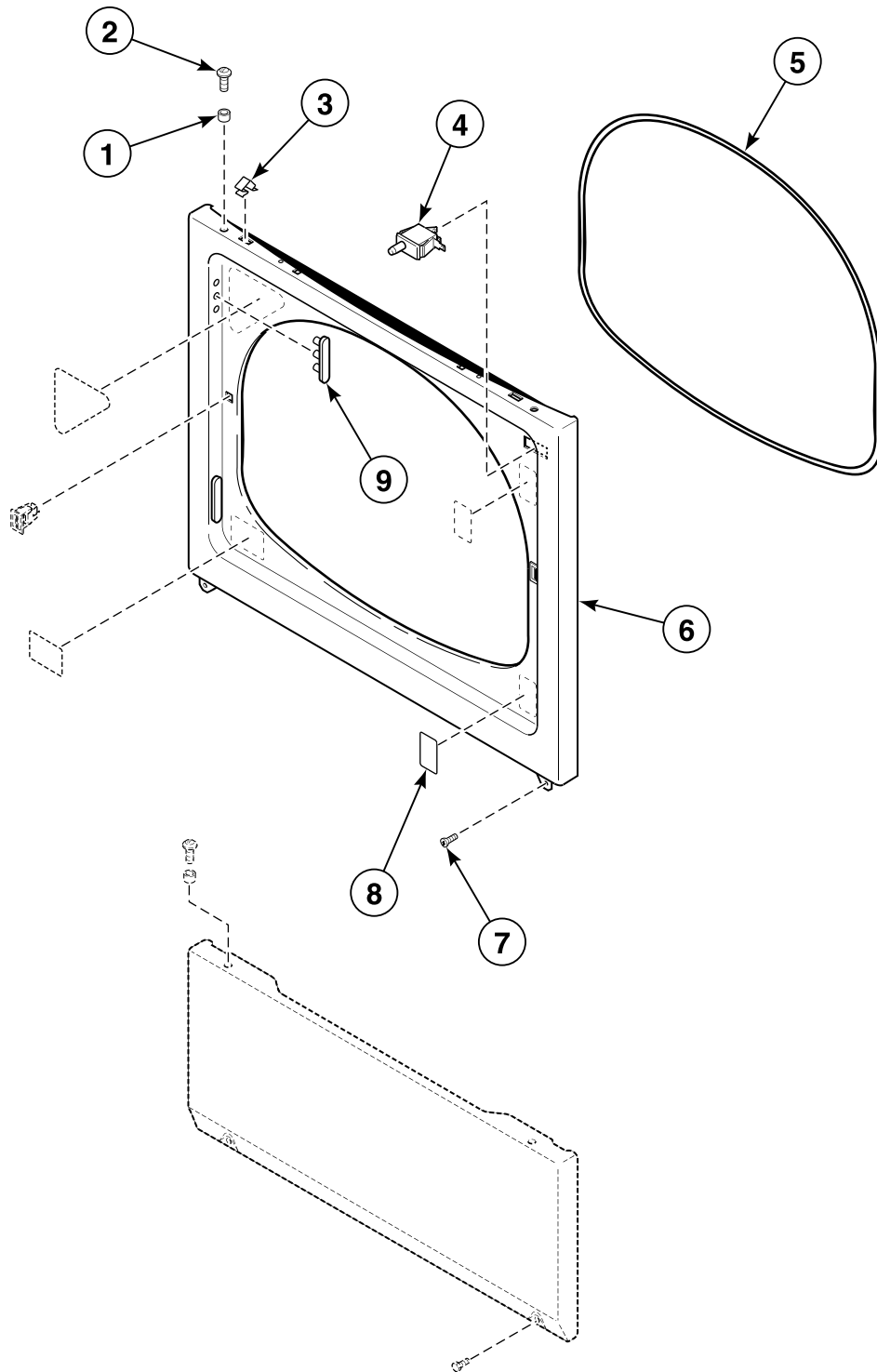
DRY1776PA\_506055

# Access Panel

REF	PART NO.	DESCRIPTION	COMMENTS
1	500253	Caution Label	Models BDG809*F1102, BDG909*F1102, HDE007*F1702, HDE107*F1502, HDE107*F1702, HDE507*F1502, HDE507*F1702, HDE707*F1502, HDE707*F1702, HDE807*F1702, HDE907*F1502, HDE907*F1702, HDEB07*J1502, HDEB07*J1702, HDEF07*J1502, HDEF07*J1702, HDER07*F1502, HDER07*F1702, HDET07*F1502, HDET07*F1702, HDEX07*F1502, HDEX07*F1702, HDEY07*F1502, HDEY07*F1702, HDEY07*F99N2, HDEZ07*F1502, HDEZ07*F1702, HDG009*F1102, HDG109*F1102, HDG509*F1102, HDG709*F1102, HDG809*F1102, HDG909*F1102, HDGB09*J1102, HDGF09*J1102, HDGR09*F1102, HDGT09*F1102, HDGX09*F1102, HDGY09*F1102, HDGZ09*F1102, HFE507*F1702, HFE707*F1702, HFEB07*J1702, HFEX07*F1702, HFEY07*F1702, HFG509*F1102, HFG709*F1102, HFGX09*F1102, KFET17NF1702, KFEY17NF1702, KFGT19NF1102 and KFGY19NF1102
	500281	Warning/Caution Label	All other models
2	510177	Door Catch Assembly	
3	502804	Clean Lint Label	Models JDE807*F4350, JDE907*F4350, JDG809*F3060, JDG909*F3060, SDE007*F4350, SDE107*F4350, SDE407*F4350, SDE807*F4350, SDE907*F4350, SDEA07*J4350, SDEF07*J4350, SDEX07*F4350, SDG009*F3058, SDG009*F3060, SDG109*F3058, SDG109*F3060, SDG409*F3058, SDG809*F3060, SDG909*F3060, SDGF09*J3060, SDGX09*F3060 and SFEX07*F4350
4	39733	Screw	
5	56079	Panel Locator	
6	512543	Access Panel	Stainless steel; Models KFET17NF1702, KFEX17NG3018, KFEX17NG4018, KFEY17NF1702, KFEY17NG3018, KFEY17NG4018, KFGT19NF1102, KFGX19NM3020, KFGY19NF1102 and KFGY19NM3020
	510069WP	Access Panel	White; All other models
	510069GP	Access Panel	Gray; All other models
	510069LP	Access Panel	Almond; All other models
	510069QP	Access Panel	Bisque; All other models
7	33562	Screw	
	62853	Screw	Optional for added security

\* Add Letter To Designate Color. G - Gray L - Almond Q - Bisque W - White

# Front Panel and Seal



DRY1776P\_506055

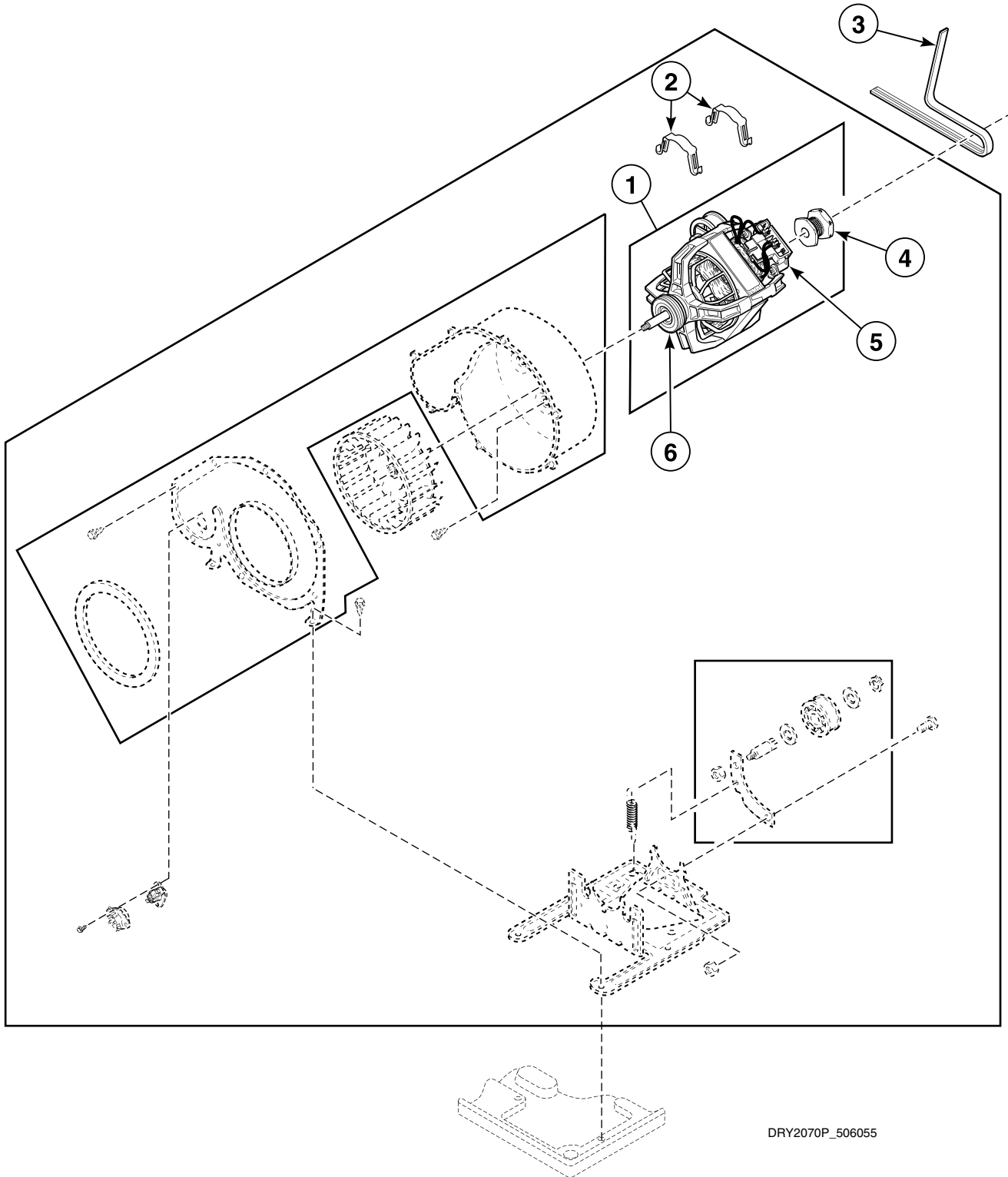


## Front Panel and Seal

REF	PART NO.	DESCRIPTION	COMMENTS
1	56079	Panel Locator	
2	39733	Screw	
3	28835	Speed Clip	
4	504570	Switch	
5	511056	Front Panel Seal	
6	512542	Front Panel	Stainless steel; Models KFET17NF1702, KFEX17NG3018, KFEX17NG4018, KFEY17NF1702, KFEY17NG3018, KFEY17NG4018, KFGT19NF1102, KFGX19NM3020, KFGY19NF1102 and KFGY19NM3020
	510066WP	Front Panel	White; All other models
	510066GP	Front Panel	Gray; All other models
	510066LP	Front Panel	Almond; All other models
	510066QP	Front Panel	Bisque; All other models
7	M405188	Screw	Models KFET17NF1702, KFEX17NG3018, KFEX17NG4018, KFEY17NF1702, KFEY17NG3018, KFEY17NG4018, KFGT19NF1102, KFGX19NM3020, KFGY19NF1102 and KFGY19NM3020
	503688	Screw	All other models
8	512263	Warning Label	Models JDE807*F4350, JDE907*F4350, JDG809*F3060, JDG909*F3060, SDE007*F4350, SDE107*F4350, SDE407*F4350, SDE807*F4350, SDE907*F4350, SDEA07*J4350, SDEF07*J4350, SDEX07*F4350, SDG009*F3058, SDG009*F3060, SDG109*F3058, SDG109*F3060, SDG409*F3058, SDG809*F3060, SDG909*F3060, SDGF09*J3060, SDGX09*F3060 and SFEX07*F4350
9	510186	Hinge Hole Plug	

\* Add Letter To Designate Color. G - Gray L - Almond Q - Bisque W - White

# Motor, Exhaust Fan and Belt (Drawing 1 of 2)



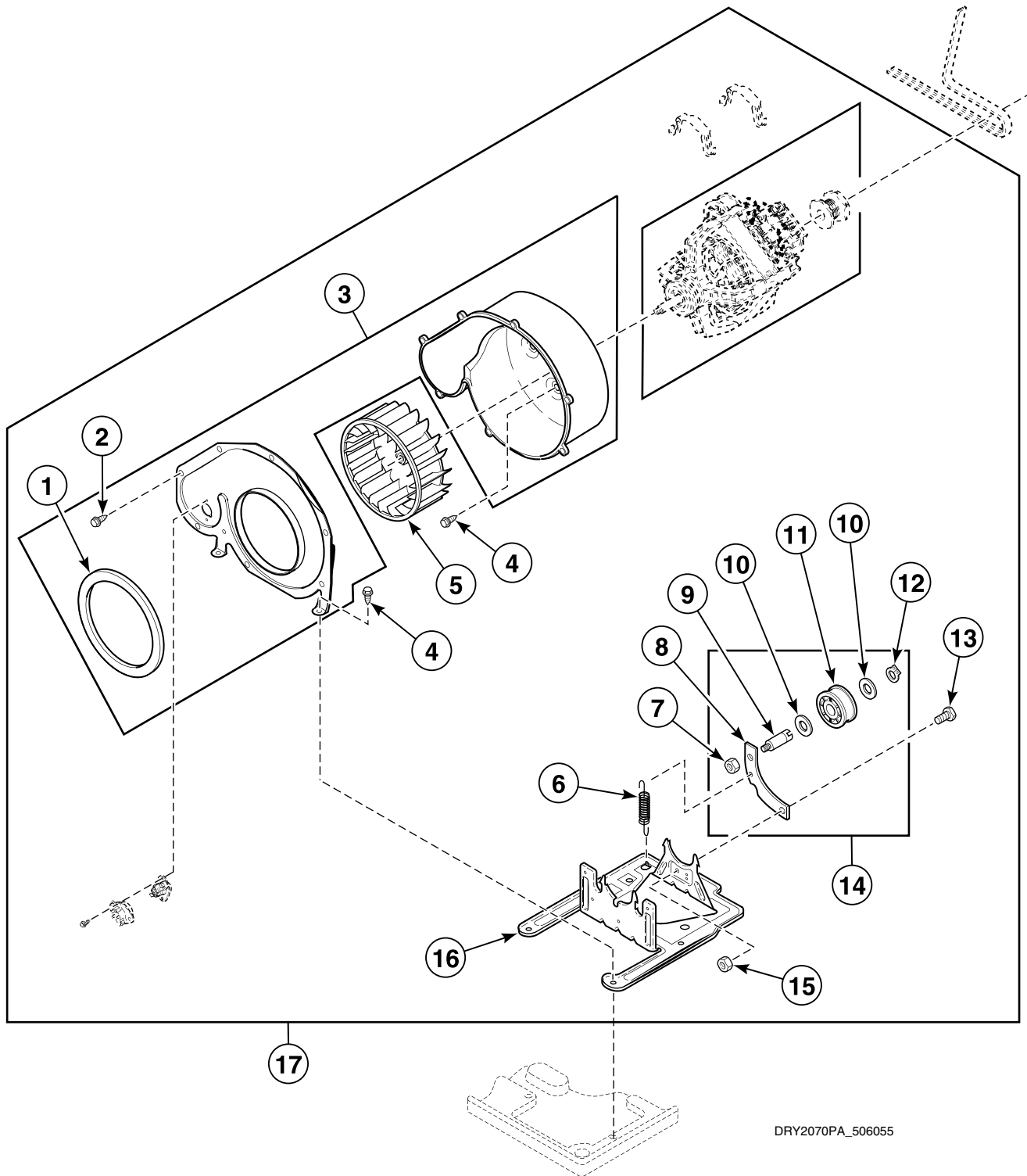
DRY2070P\_506055

## Motor, Exhaust Fan and Belt (Drawing 1 of 2)

REF	PART NO.	DESCRIPTION	COMMENTS
	27604P	Anti-Seize Compound	Apply to motor shaft when installing blower fan assembly
1	511629P	Motor and Pulley Assembly	120 Volt/60 Hertz; Includes items 5 and 6; Apply anti-seize compound to motor shaft when installing blower fan assembly; Models BDG809*F1102, BDG909*F1102, HDE007*F1702, HDE107*F1502, HDE107*F1702, HDE507*F1502, HDE507*F1702, HDE707*F1502, HDE707*F1702, HDE807*F1702, HDE907*F1502, HDE907*F1702, HDEB07*J1502, HDEB07*J1702, HDEF07*J1502, HDEF07*J1702, HDER07*F1502, HDER07*F1702, HDET07*F1502, HDET07*F1702, HDEX07*F1502, HDEX07*F1702, HDEY07*F1502, HDEY07*F1702, HDEY07*F99N2, HDEZ07*F1502, HDEZ07*F1702, HDG009*F1102, HDG109*F1102, HDG509*F1102, HDG709*F1102, HDG809*F1102, HDG909*F1102, HDGB09*J1102, HDGF09*J1102, HDGR09*F1102, HDGT09*F1102, HDGX09*F1102, HDGY09*F1102, HDGZ09*F1102, HFE507*F1702, HFE707*F1702, HFEB07*J1702, HFEX07*F1702, HFEY07*F1702, HFG509*F1102, HFG709*F1102, HFGX09*F1102, KFET17NF1702, KFEY17NF1702, KFGT19NF1102 and KFGY19NF1102
	505869P	Motor and Pulley Assembly	240 Volt/60 Hertz; Includes items 5 and 6; Apply anti-seize compound to motor shaft when installing blower fan assembly; Models SDE107*F5412, SDE107*F5417, SDE907*F5412, SDG109*F5412, SDG909*F5412 and SFEX07*F3300
	505843P	Motor and Pulley Assembly	240 Volt/50 Hertz; Includes items 5 and 6; Apply anti-seize compound to motor shaft when installing blower fan assembly; All other models
2	510180	Motor Mount Clamp	
3	511255P	Cylinder Belt	
4	500011	Motor Pulley	Use with 511629P and 505869P Motor and Pulley Assemblies; 60 Hertz; Models BDG809*F1102, BDG909*F1102, HDE007*F1702, HDE107*F1502, HDE107*F1702, HDE507*F1502, HDE507*F1702, HDE707*F1502, HDE707*F1702, HDE807*F1702, HDE907*F1502, HDE907*F1702, HDEB07*J1502, HDEB07*J1702, HDEF07*J1502, HDEF07*J1702, HDER07*F1502, HDER07*F1702, HDET07*F1502, HDET07*F1702, HDEX07*F1502, HDEX07*F1702, HDEY07*F1502, HDEY07*F1702, HDEY07*F99N2, HDEZ07*F1502, HDEZ07*F1702, HDG009*F1102, HDG109*F1102, HDG509*F1102, HDG709*F1102, HDG809*F1102, HDG909*F1102, HDGB09*J1102, HDGF09*J1102, HDGR09*F1102, HDGT09*F1102, HDGX09*F1102, HDGY09*F1102, HDGZ09*F1102, HFE507*F1702, HFE707*F1702, HFEB07*J1702, HFEX07*F1702, HFEY07*F1702, HFG509*F1102, HFG709*F1102, HFGX09*F1102, KFET17NF1702, KFEY17NF1702, KFGT19NF1102, KFGY19NF1102, SDE107*F5412, SDE107*F5417, SDE907*F5412, SDG109*F5412, SDG909*F5412 and SFEX07*F3300
	500222	Motor Pulley	Use with 505843P Motor and Pulley Assembly; 50 Hertz; All other models
5	501218P	Motor Switch Kit	Does not include thermal protector
6	590P3	Motor Hub Ring Kit	

\* Add Letter To Designate Color. G - Gray L - Almond Q - Bisque W - White

# Motor, Exhaust Fan and Belt (Drawing 2 of 2)



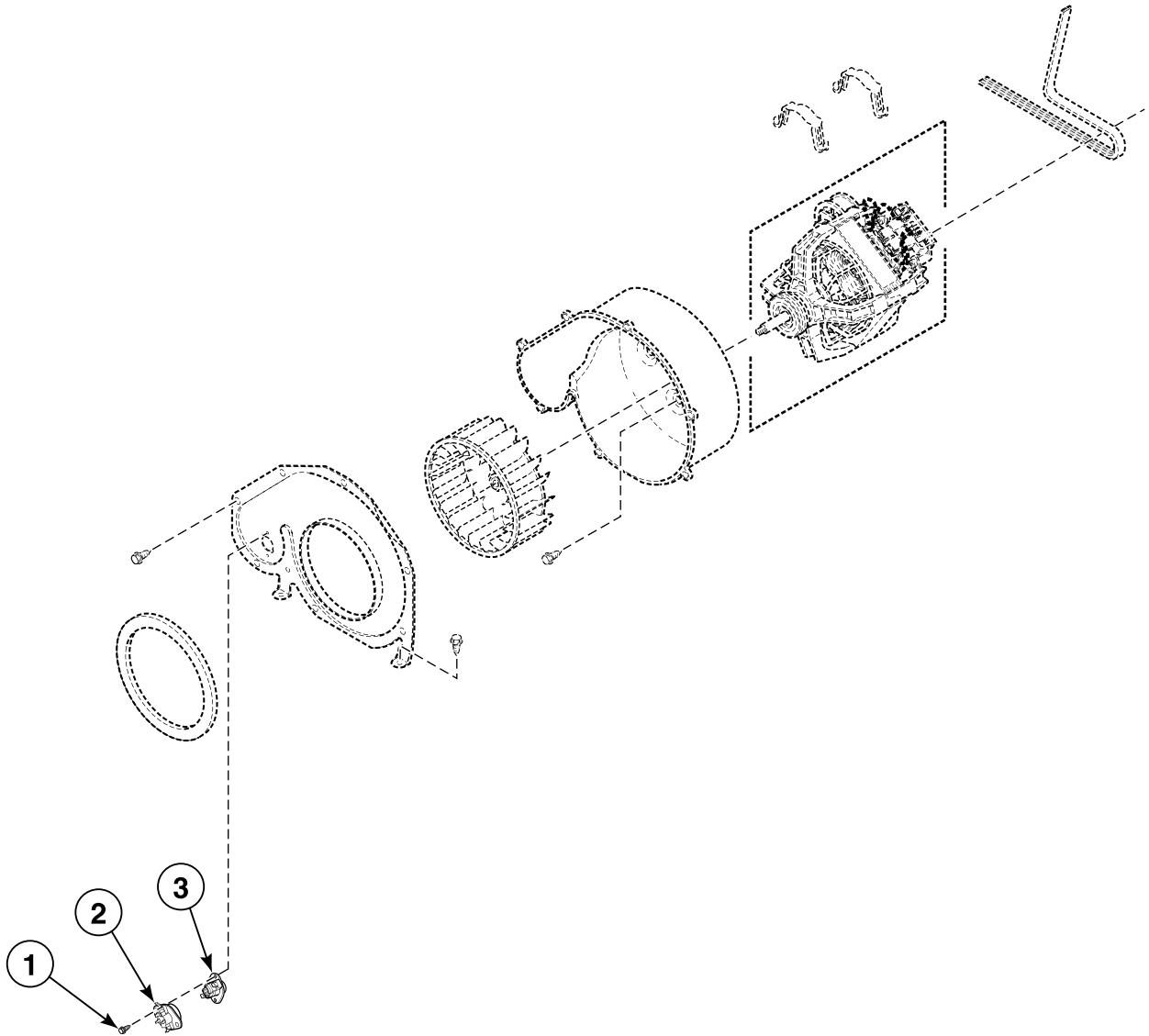
DRY2070PA\_506055

## Motor, Exhaust Fan and Belt (Drawing 2 of 2)

REF	PART NO.	DESCRIPTION	COMMENTS
	27604P	Anti-Seize Compound	Apply to motor shaft when installing blower fan assembly
1	510238P	Blower Housing Seal	
2	31260	Screw	
3	511969P	Blower Housing and Cover Kit	Includes items 1 and 2
4	503688	Screw	
5	510139P	Blower Fan Assembly	Apply anti-seize compound to motor shaft when installing blower fan assembly
6	510185	Idler Spring	
7	56156	Nut	
8	510133	Idler Lever	
9	56461P	Shaft	
10	52549	Washer	
11	510142P	Idler Wheel and Bearing Assembly	
12	23748	Retaining Ring	
13	500824	Screw	
14	510158	Idler Lever and Wheel Assembly	Includes items 7-12
15	52566	Nut	
16	510060	Motor Mount	
17	510717P	Blower and Fan Kit	Includes items 1-16, motor mount clamp, motor hub rings and motor and pulley assembly; Models BDG809*F1102, BDG909*F1102, HDE007*F1702, HDE107*F1502, HDE107*F1702, HDE507*F1502, HDE507*F1702, HDE707*F1502, HDE707*F1702, HDE807*F1702, HDE907*F1502, HDE907*F1702, HDEB07*J1502, HDEB07*J1702, HDEF07*J1502, HDEF07*J1702, HDER07*F1502, HDER07*F1702, HDET07*F1502, HDET07*F1702, HDEX07*F1502, HDEX07*F1702, HDEY07*F1502, HDEY07*F1702, HDEY07*F99N2, HDEZ07*F1502, HDEZ07*F1702, HDG009*F1102, HDG109*F1102, HDG509*F1102, HDG709*F1102, HDG809*F1102, HDG909*F1102, HDGB09*J1102, HDGF09*J1102, HDGR09*F1102, HDGT09*F1102, HDGX09*F1102, HDGY09*F1102, HDGZ09*F1102, HFE507*F1702, HFE707*F1702, HFEB07*J1702, HFEX07*F1702, HFEY07*F1702, HFG509*F1102, HFG709*F1102, HFGX09*F1102, KFET17NF1702, KFEY17NF1702, KFGT19NF1102 and KFGY19NF1102

\* Add Letter To Designate Color. G - Gray L - Almond Q - Bisque W - White

# Thermistor and Thermostat



DRY1850P\_506055

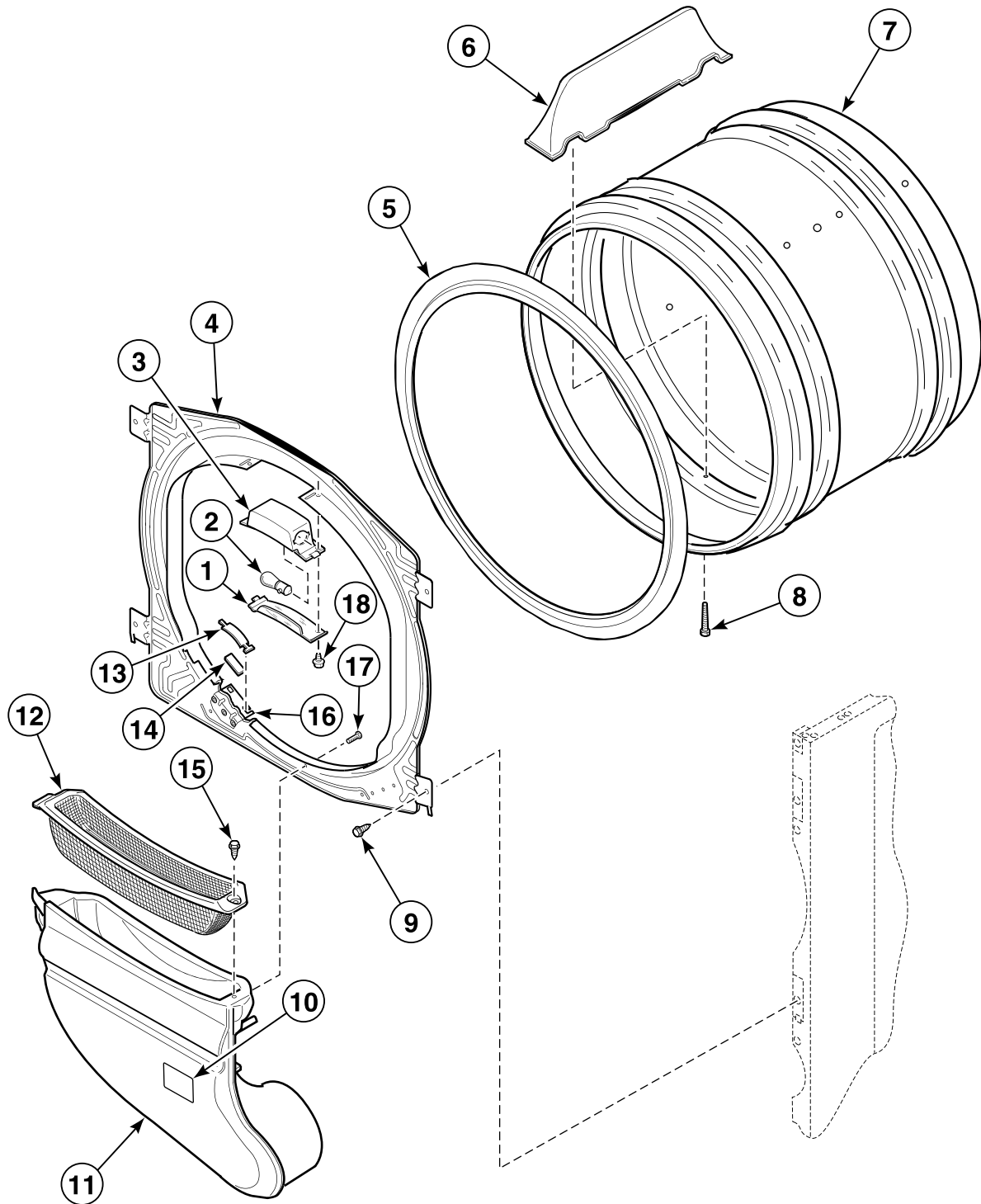
# Thermistor and Thermostat

REF	PART NO.	DESCRIPTION	COMMENTS
1	33561	Screw	
2	511887	Thermostat	Tan/white; Models FDE807*G3018, FDE807*G4018, GDE807*G3018, HDE007*F3000, HDE007*G3003, HDE007*G3008, HDE007*G3010, HDE007*G4008, HDE007*G4010, HDE107*F3000, HDE107*G3003, HDE107*G3018, HDE107*G4018, HDG009*F3000, HDG009*M3008, HDG109*F3000, HDG109*M3013, HFE167*G4018, JDE807*F4350, JDE807*G3018, JDG809*F3060, JDG809*M3020, NDE007*G3018, NDE007*G4018, NDE807*G3018, NDE807*G4018, PDE807*G3018, PDE807*G4018, PDG809*M3013, SDE007*F3000, SDE007*F4350, SDE007*G3018, SDE107*F3000, SDE107*F4350, SDE107*F5412, SDE107*F5417, SDE107*G3018, SDE107*G4018, SDE807*F3000, SDE807*F4350, SDG009*F3000, SDG009*F3058, SDG009*F3060, SDG109*F3000, SDG109*F3058, SDG109*F3060, SDG109*F5412, SDG109*M3013, SDG809*F3060, UDE007*F3000, UDE007*F3025, UDG009*F3000 and UDG009*F3025
	504515	Thermostat	Green; Models HDE007*F1702, HDE107*F1502, HDE107*F1702, HDG009*F1102 and HDG109*F1102 through Serial No. 0404
	512005	Thermostat	Green/white; Models BDG809*F1102, HDE007*F1702, HDE107*F1502, HDE107*F1702, HDE807*F1702, HDG009*F1102, HDG109*F1102 and HDG809*F1102 starting Serial No. 0404
	504517	Thermostat	Red; Models HDG009*G3008, HDG109*G3013 and SDG109*G3013
	510523	Thermistor Assembly	Models BDG909*F1102, HDE507*F1502, HDE507*F1702, HDE707*F1502, HDE707*F1702, HDE907*F1502, HDE907*F1702, HDEB07*J1502, HDEB07*J1702, HDEF07*J1502, HDEF07*J1702, HDER07*F1502, HDER07*F1702, HDET07*F1502, HDET07*F1702, HDEX07*F1502, HDEX07*F1702, HDEY07*F1502, HDEY07*F1702, HDEY07*F99N2, HDEZ07*F1502, HDEZ07*F1702, HDG509*F1102, HDG709*F1102, HDG909*F1102, HDGB09*J1102, HDGF09*J1102, HDGR09*F1102, HDGT09*F1102, HDGX09*F1102, HDGY09*F1102, HDGZ09*F1102, HFE507*F1702, HFE707*F1702, HFEB07*J1702, HFEX07*F1702, HFEY07*F1702, HFG509*F1102, HFG709*F1102, HFGX09*F1102, KFET17NF1702, KFEY17NF1702, KFGT19NF1102, KFGY19NF1102, SDE907*F5412 and SDG909*F5412
	502366	Thermistor Assembly	Models BFEL07*G4018, BFEX07*G4018, GDE907*G3018, HDE907*G3018, HDE907*G4018, HDEX07*F3000, HDEX07*G3018, HDGX09*F3000, HDGX09*M3013, HFEL47*G4018, HFEL67*G4018, HFGX09*M3013, JDE907*F4350, JDE907*G3018, JDG909*F3060, JDG909*M3020, KFEX17NG3018, KFEX17NG4018, KFEY17NG3018, KFEY17NG4018, KFGX19NM3020, KFGY19NM3020, NFEL47*G4018, NFEL67*G4018, NFEX07*G3018, NFEX07*G4018, NFGL49*M3013, NFGX09*M3013, SDE407*F3000, SDE407*F4350, SDE907*F3000, SDE907*F4350, SDE907*G3018, SDE907*G4018, SDEA07*J3000, SDEA07*J4350, SDEF07*J4350, SDEX07*F3000, SDEX07*F4350, SDEX07*G3018, SDEX07*G4018, SDG409*F3000, SDG409*F3058, SDG909*F3060, SDG909*M3013, SDGF09*J3060, SDGX09*F3000, SDGX09*F3060, SDGX09*M3013, SFEL67*G4018, SFEX07*F3300, SFEX07*F4350, SFEX07*G3018, SFEX07*G4018, SFEX67*G4018, SFY07*G4018 and SFGX09*M3013
3	M411941	Manual Reset Thermostat	Models JDG809*F3060, JDG909*F3060, SDG009*F3060, SDG109*F3060, SDG809*F3060, SDG909*F3060, SDGF09*J3060 and SDGX09*F3060

\* Add Letter To Designate Color. G - Gray L - Almond Q - Bisque W - White

# Front Bulkhead, Air Duct, Felt Seal and Cylinder with Light

Models HFEL47\*G4018, KFET17NF1702, KFEX17NG3018, KFEX17NG4018,  
KFEY17NF1702, KFEY17NG3018, KFEY17NG4018, KFGT19NF1102, KFGX19NM3020,  
KFGY19NF1102, KFGY19NM3020, NFEL47\*G4018 and NFGL49\*M3013



DRY2060P\_506055



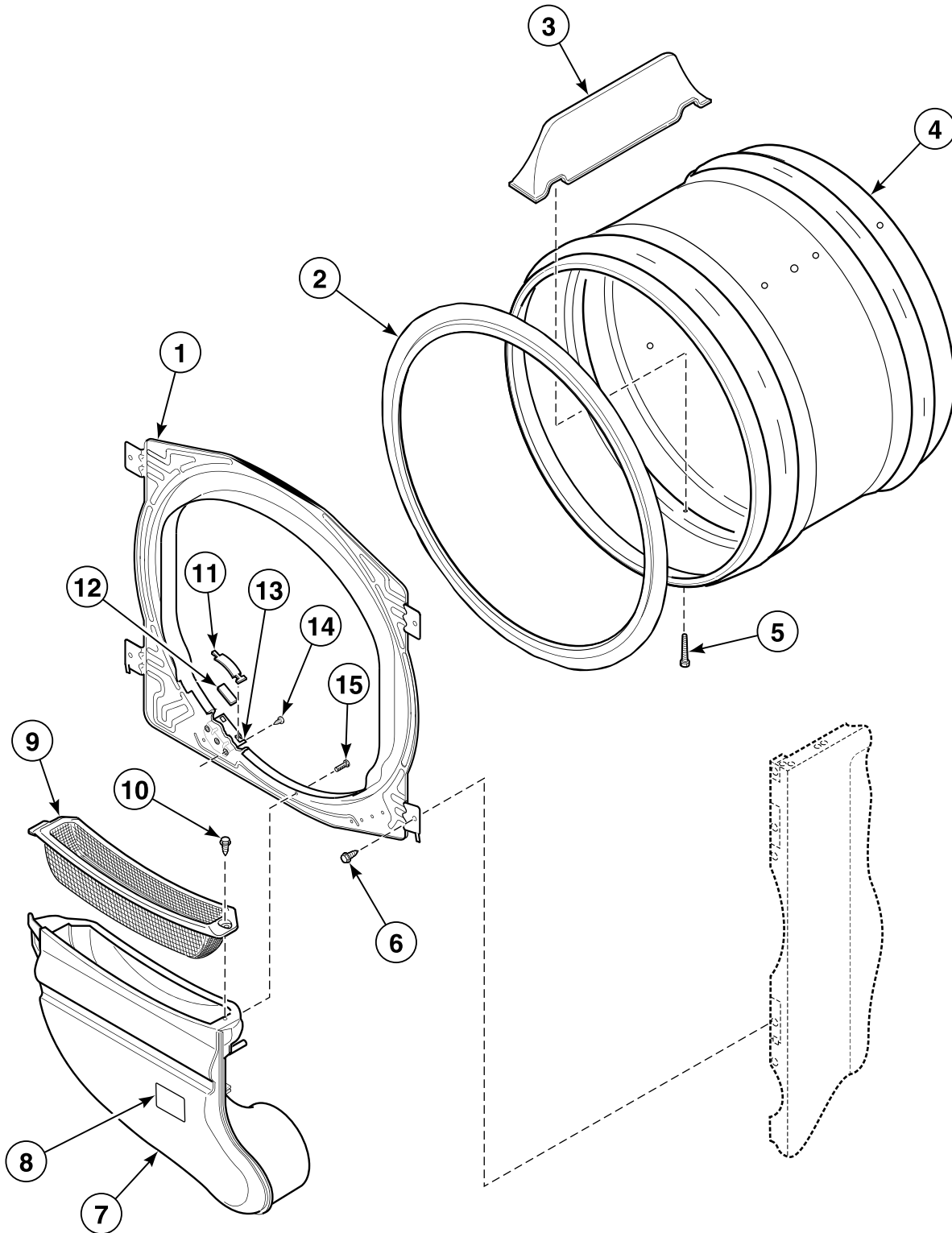
## Front Bulkhead, Air Duct, Felt Seal and Cylinder with Light

REF	PART NO.	DESCRIPTION	COMMENTS
	511637	Adhesive	Apply to cylinder seal
1	503623	Drum Light Lens	Models HFEL47*G4018, NFEL47*G4018 and NFGL49*M3013
	512106	Cylinder Light Lens	All other models
2	512563	Drum Light Lamp	24 Volt; Models KFGX19NM3020, KFGY19NM3020 and NFGL49*M3013
	503579	Drum Light Lamp	240 Volt; Models HFEL47*G4018, KFEX17NG3018, KFEX17NG4018, KFEY17NG3018, KFEY17NG4018 and NFEL47*G4018
3	512564	Cylinder Light Assembly	24 Volt; Models KFGX19NM3020, KFGY19NM3020 and NFGL49*M3013
	512108	Light Housing Assembly	Models KFET17NF1702, KFEY17NF1702, KFGT19NF1102 and KFGY19NF1102
	512109	Cylinder Light Assembly	240 Volt; All other models
4	505899WP	Bulkhead Assembly	Painted; Includes item 5; Models HFEL47*G4018, NFEL47*G4018 and NFGL49*M3013
	512476	Front Bulkhead Assembly	Galvanized; Includes item 5; All other models
5	510207P	Cylinder Seal Assembly	Apply adhesive when installing
6	510102	Cylinder Baffle	White; Models HFEL47*G4018, NFEL47*G4018 and NFGL49*M3013
	512625	Cylinder Baffle	Gray; All other models
7	510265P	Cylinder Assembly	Galvanized; Includes item 6; Models HFEL47*G4018, NFEL47*G4018 and NFGL49*M3013
	512700	Cylinder Assembly	Galvanized; Includes 3 of item 6 and 6 of item 8; All other models
8	62588	Screw	
9	503688	Screw	Models HFEL47*G4018, NFEL47*G4018 and NFGL49*M3013
	M405188	Screw	All other models
10	500314	Warning Label	Models KFET17NF1702, KFEY17NF1702, KFGT19NF1102 and KFGY19NF1102
11	510151	Air Duct Assembly	White; Models HFEL47*G4018, NFEL47*G4018 and NFGL49*M3013
	512630	Air Duct Assembly	Gray; All other models
12	503980	Lint Filter	White; Models HFEL47*G4018, NFEL47*G4018 and NFGL49*M3013
	512623	Lint Filter	Gray; All other models
13	510187	Cylinder Glide	
14	510189	Felt Pad	
15	501285	Screw	
16	510145	Cylinder Glide Bracket	
17	52864	Screw	
18	500227	Screw	

\* Add Letter To Designate Color. Q - Bisque W - White

# Front Bulkhead, Air Duct, Felt Seal and Cylinder without Light

All Models Except HFEL47\*G4018, KFET17NF1702, KFEX17NG3018, KFEX17NG4018, KFEY17NF1702, KFEY17NG3018, KFEY17NG4018, KFGT19NF1102, KFGX19NM3020, KFGY19NF1102, KFGY19NM3020, NFEL47\*G4018 and NFGL49\*M3013



DRY1910P\_506055

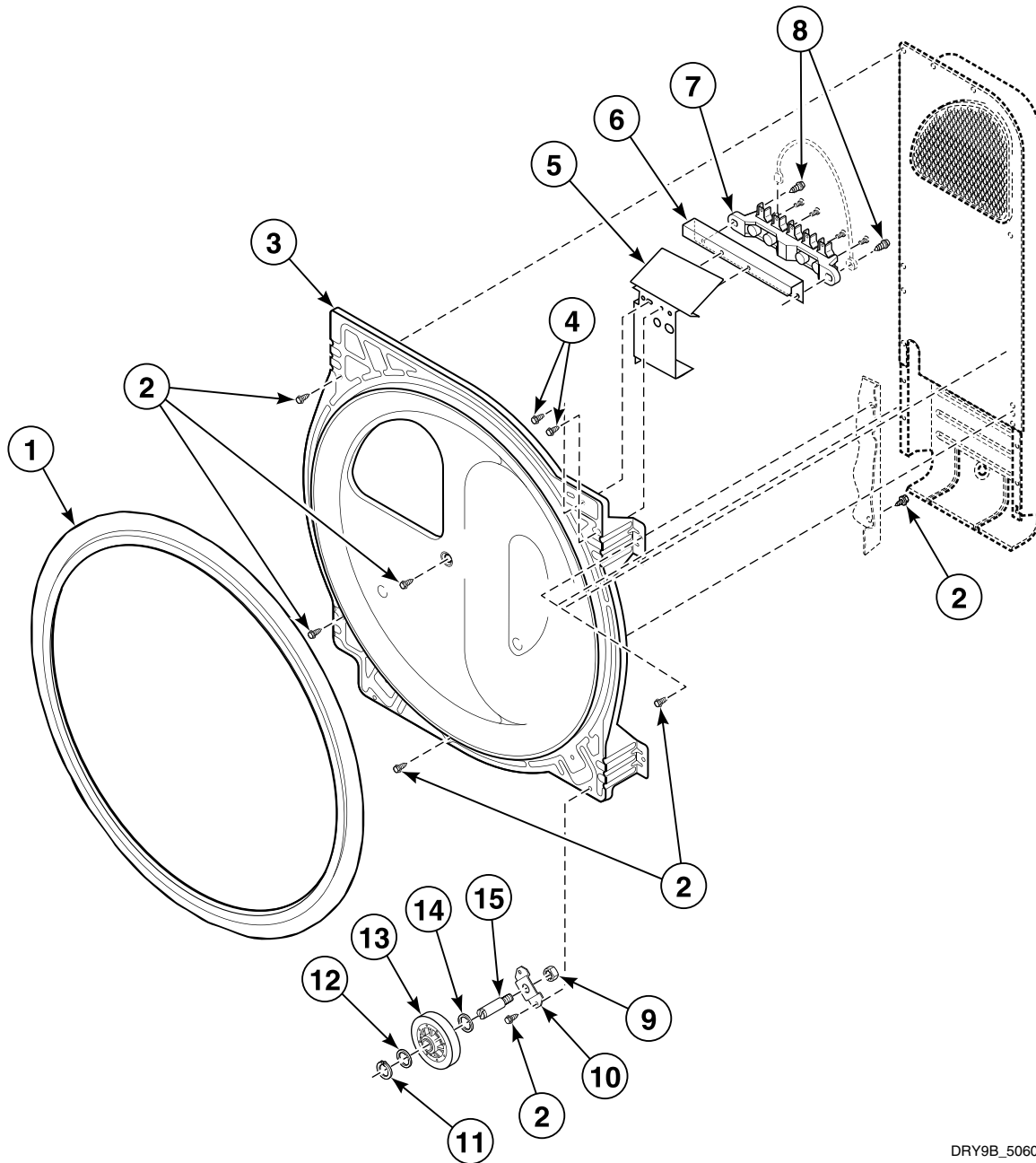
## Front Bulkhead, Air Duct, Felt Seal and Cylinder without Light

REF	PART NO.	DESCRIPTION	COMMENTS
	511637	Adhesive	Apply to cylinder seal
1	510266P	Front Bulkhead Assembly	Unpainted; Includes item 2
2	510207P	Cylinder Seal Assembly	Apply adhesive when installing
3	510102	Cylinder Baffle	
4	510265P	Cylinder Assembly	Galvanized; Includes item 3
5	62588	Screw	
6	503688	Screw	
7	510151	Air Duct Assembly	
8	500314	Warning Label	Models BDG809*F1102, BDG909*F1102, HDE007*F1702, HDE107*F1502, HDE107*F1702, HDE507*F1502, HDE507*F1702, HDE707*F1502, HDE707*F1702, HDE807*F1702, HDE907*F1502, HDE907*F1702, HDEB07*J1502, HDEB07*J1702, HDEF07*J1502, HDEF07*J1702, HDER07*F1502, HDER07*F1702, HDET07*F1502, HDET07*F1702, HDEX07*F1502, HDEX07*F1702, HDEY07*F1502, HDEY07*F1702, HDEY07*F99N2, HDEZ07*F1502, HDEZ07*F1702, HDG009*F1102, HDG109*F1102, HDG509*F1102, HDG709*F1102, HDG809*F1102, HDG909*F1102, HDGB09*J1102, HDGF09*J1102, HDGR09*F1102, HDGT09*F1102, HDGX09*F1102, HDGY09*F1102, HDGZ09*F1102, HFE507*F1702, HFE707*F1702, HFEB07*J1702, HFEX07*F1702, HFEY07*F1702, HFG509*F1102, HFG709*F1102 and HFGX09*F1102
9	503980	Lint Filter	
10	501285	Screw	
11	510187	Cylinder Glide	
12	510189	Felt Pad	
13	510145	Cylinder Glide Bracket	
14	505295	Screw	
15	52864	Screw	

\* Add Letter To Designate Color. G - Gray L - Almond Q - Bisque W - White

# Rear Bulkhead, Felt Seal, Cylinder Roller and Terminal Block - 3 Phase

Models BFEL07\*G4018, BFEX07\*G4018, FDE807\*G4018, HDE007\*G4008, HDE007\*G4010, HDE107\*G4018, HDE907\*G4018, HFE167\*G4018, HFEL47\*G4018, HFEL67\*G4018, KFEX17NG4018, KFEY17NG4018, NDE007\*G4018, NDE807\*G4018, NFEL47\*G4018, NFEL67\*G4018, NFEX07\*G4018, PDE807\*G4018, SDE107\*G4018, SDE907\*G4018, SDEX07\*G4018, SFEL67\*G4018, SFEX07\*G4018, SFEX67\*G4018 and SFEY07\*G4018



DRY9B\_506055

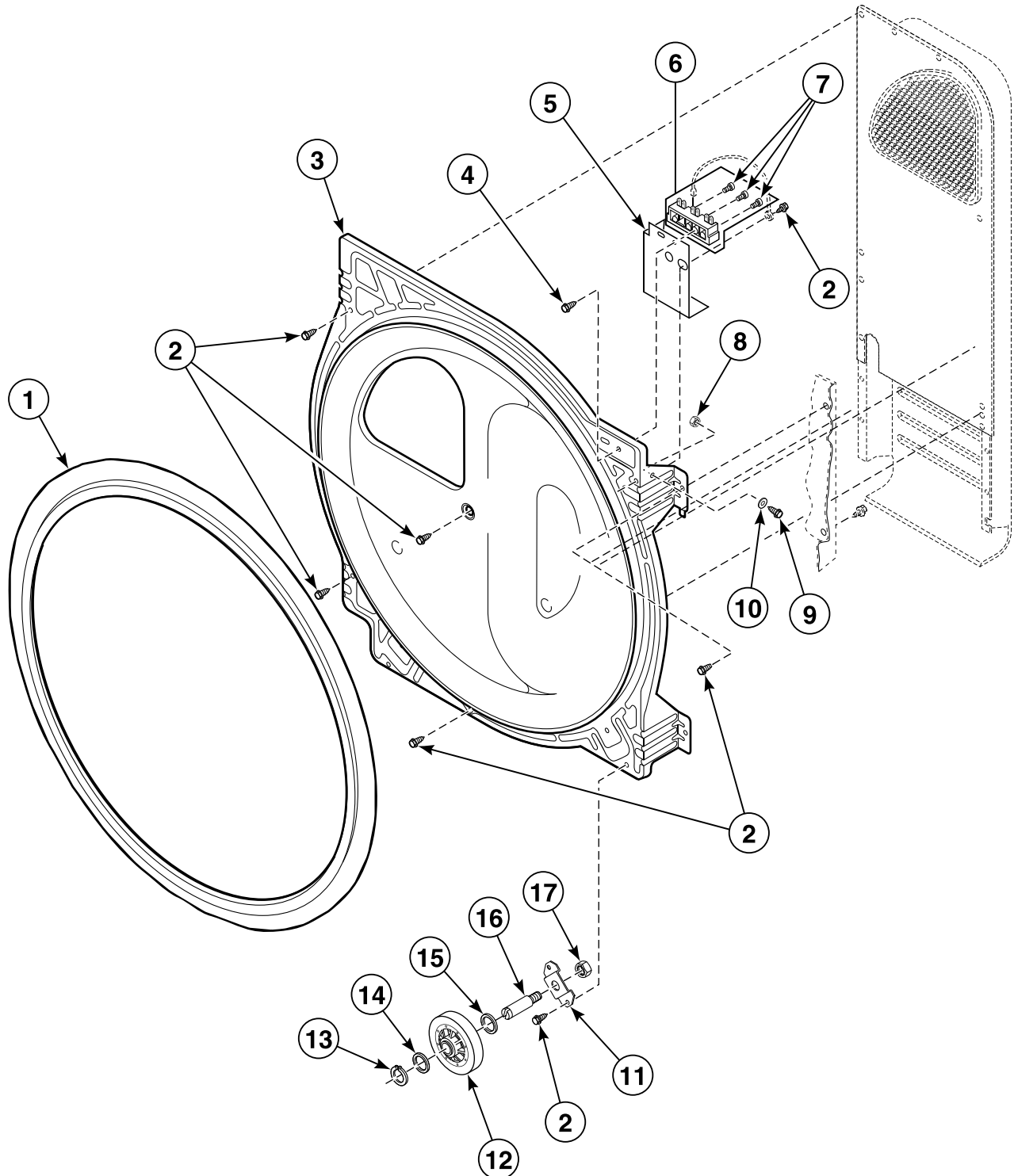
## Rear Bulkhead, Felt Seal, Cylinder Roller and Terminal Block - 3 Phase

REF	PART NO.	DESCRIPTION	COMMENTS
	511637	Adhesive	Apply to cylinder seal
1	510207P	Cylinder Seal Assembly	Apply adhesive when installing
2	503688	Screw	
3	512698	Rear Bulkhead	Polished; Models KFEX17NG4018 and KFEY17NG4018
	511082P	Rear Bulkhead Assembly	Galvanized; Includes item 1; All other models
4	501285	Screw	
5	505768	Terminal Block Shield	
6	505875	Terminal Block Support Bracket	
7	505876	Terminal Block Assembly	
8	503661	Screw	
9	56156	Nut	
10	510100	Cylinder Roller Bracket	
11	23748	Retaining Ring	
12	52549	Washer	
13	510708P	Cylinder Roller	
14	504082	Washer	
15	56461P	Shaft	

\* Add Letter To Designate Color. G - Gray L - Almond Q - Bisque W - White

## Rear Bulkhead, Felt Seal, Cylinder Roller and Terminal Block - 1 Phase

All Models Except BFEL07\*G4018, BFEX07\*G4018, FDE807\*G4018, HDE007\*G4008, HDE007\*G4010, HDE107\*G4018, HDE907\*G4018, HFE167\*G4018, HFEL47\*G4018, HFEL67\*G4018, KFEX17NG4018, KFEY17NG4018, NDE007\*G4018, NDE807\*G4018, NFEL47\*G4018, NFEL67\*G4018, NFEX07\*G4018, PDE807\*G4018, SDE107\*G4018, SDE907\*G4018, SDEX07\*G4018, SFEL67\*G4018, SFEX07\*G4018, SFEX67\*G4018 and SFEY07\*G4018



DRY1774P\_506055

## Rear Bulkhead, Felt Seal, Cylinder Roller and Terminal Block - 1 Phase

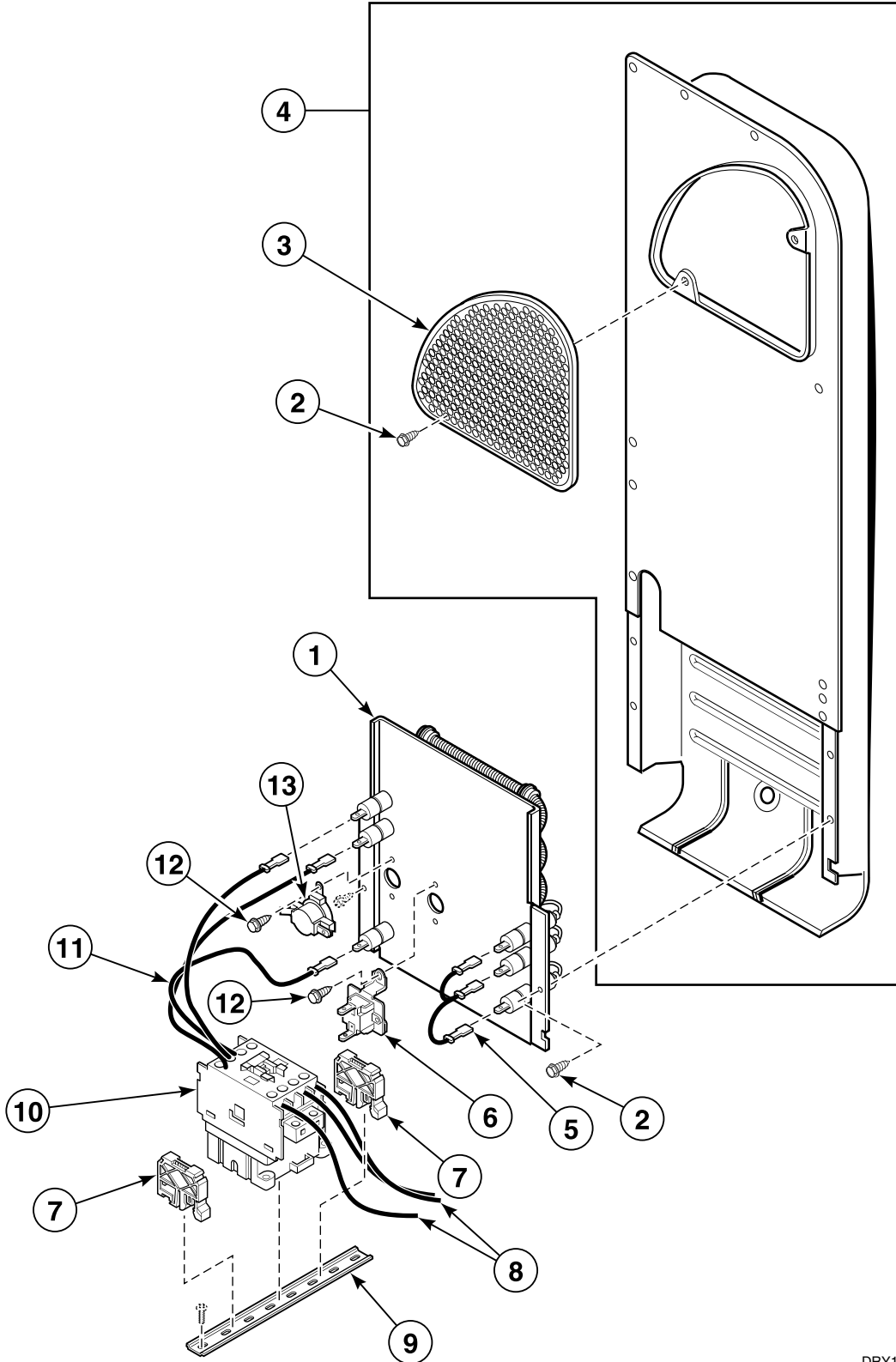
REF	PART NO.	DESCRIPTION	COMMENTS
	511637	Adhesive	Apply to cylinder seal
1	510207P	Cylinder Seal Assembly	Apply adhesive when installing
2	503688	Screw	
3	512698	Rear Bulkhead	Polished; Models KFET17NF1702, KFEX17NG3018, KFEY17NF1702, KFEY17NG3018, KFGT19NF1102, KFGX19NM3020, KFGY19NF1102 and KFGY19NM3020
	511082P	Rear Bulkhead Assembly	Galvanized; Includes item 1; All other models
4	501285	Screw	
5	505768	Terminal Block Shield	Models FDE807*G3018, GDE807*G3018, GDE907*G3018, HDE007*G3003, HDE007*G3008, HDE007*G3010, HDE107*G3003, HDE107*G3018, HDE807*F1702, HDE907*F1502, HDE907*F1702, HDE907*G3018, HDEX07*F3000, HDEX07*G3018, HDG009*G3008, HDG009*M3008, HDG109*G3013, HDG109*M3013, HDGX09*F3000, HDGX09*M3013, HFGX09*M3013, JDE807*G3018, JDE907*G3018, JDG809*M3020, JDG909*M3020, KFEX17NG3018, KFEY17NG3018, KFGX19NM3020, KFGY19NM3020, NDE007*G3018, NDE807*G3018, NFEX07*G3018, NFGX09*M3013, PDE807*G3018, PDG809*M3013, SDE007*G3018, SDE107*G3018, SDE907*G3018, SDEX07*G3018, SDG109*G3013, SDG109*M3013, SDG909*M3013, SDGX09*F3000, SDGX09*M3013, SFEX07*G3018 and SFGX09*M3013
	510237	Terminal Block Shield	All other models
6	510190P	Terminal Block Assembly	Includes 3 of item 7; All models except BDG809*F1102, BDG909*F1102, HDG009*F1102, HDG009*G3008, HDG109*F1102, HDG109*G3013, HDG509*F1102, HDG709*F1102, HDG809*F1102, HDG909*F1102, HDGB09*J1102, HDGF09*J1102, HDGR09*F1102, HDGT09*F1102, HDGX09*F1102, HDGY09*F1102, HDGZ09*F1102, HFG509*F1102, HFG709*F1102 and SDG109*G3013
	N/A	Terminal Block	Models HDG009*G3008, HDG109*G3013 and SDG109*G3013
7	61199	Screw	
8	28447	Nut	
9	28448	Screw	
10	28449	Washer	
11	510100	Cylinder Roller Bracket	
12	510708P	Cylinder Roller	
13	23748	Retaining Ring	
14	52549	Washer	
15	504082	Washer	
16	56461P	Shaft	
17	56156	Nut	

\* Add Letter To Designate Color. G - Gray L - Almond Q - Bisque W - White

N/A = Part no longer available

# Heater Duct Assembly - 3 Phase

Models BFEL07\*G4018, BFEX07\*G4018, FDE807\*G4018, HDE007\*G4008, HDE007\*G4010, HDE107\*G4018, HDE907\*G4018, HFE167\*G4018, HFEL47\*G4018, HFEL67\*G4018, KFEX17NG4018, KFEY17NG4018, NDE007\*G4018, NDE807\*G4018, NFEL47\*G4018, NFEL67\*G4018, NFEX07\*G4018, PDE807\*G4018, SDE107\*G4018, SDE907\*G4018, SDEX07\*G4018, SFEL67\*G4018, SFEX07\*G4018, SFEX67\*G4018 and SFHEY07\*G4018



DRY1807P\_506055



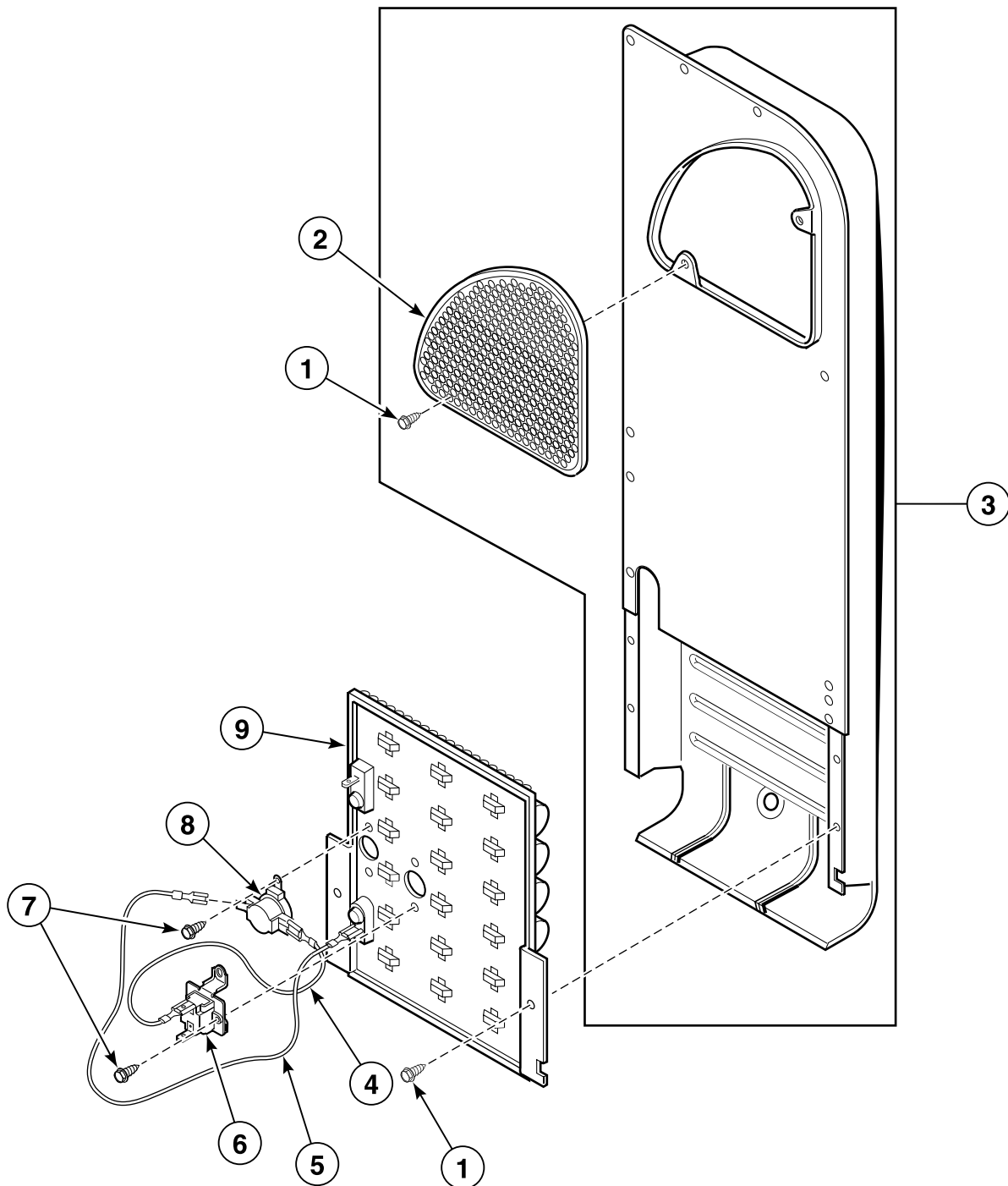
## Heater Duct Assembly - 3 Phase

REF	PART NO.	DESCRIPTION	COMMENTS
	756P3	Conversion Kit	400 Volt, 4 wire WYE to 240 Volt, 3 wire Delta
<b>1</b>	511014P	Heater	400 Volt/3 Phase
<b>2</b>	503688	Screw	
<b>3</b>	500820	Outlet Cover	
<b>4</b>	510025P	Heater Duct and Screw Assembly	Includes items 2 and 3
<b>5</b>	511270	Jumper Wire Assembly	3 Phase
<b>6</b>	511412	Thermal Fuse Assembly	
<b>7</b>	70121001	End Stop	
<b>8</b>	511112	Block to Relay Harness	Terminal block to contactor
<b>9</b>	M412693	Din Rail	
<b>10</b>	F330177P	Contactor	
<b>11</b>	511114P	Relay to Heater Harness	Contactor to heater
<b>12</b>	23222	Screw	
<b>13</b>	510701	Limit Thermostat	

\* Add Letter To Designate Color. G - Gray L - Almond Q - Bisque W - White

# Heater Duct and Element Assembly - 1 Phase

All Electric Models Except Those with G4008, G4010 and G4018 Suffixes



DRY1789P\_506055

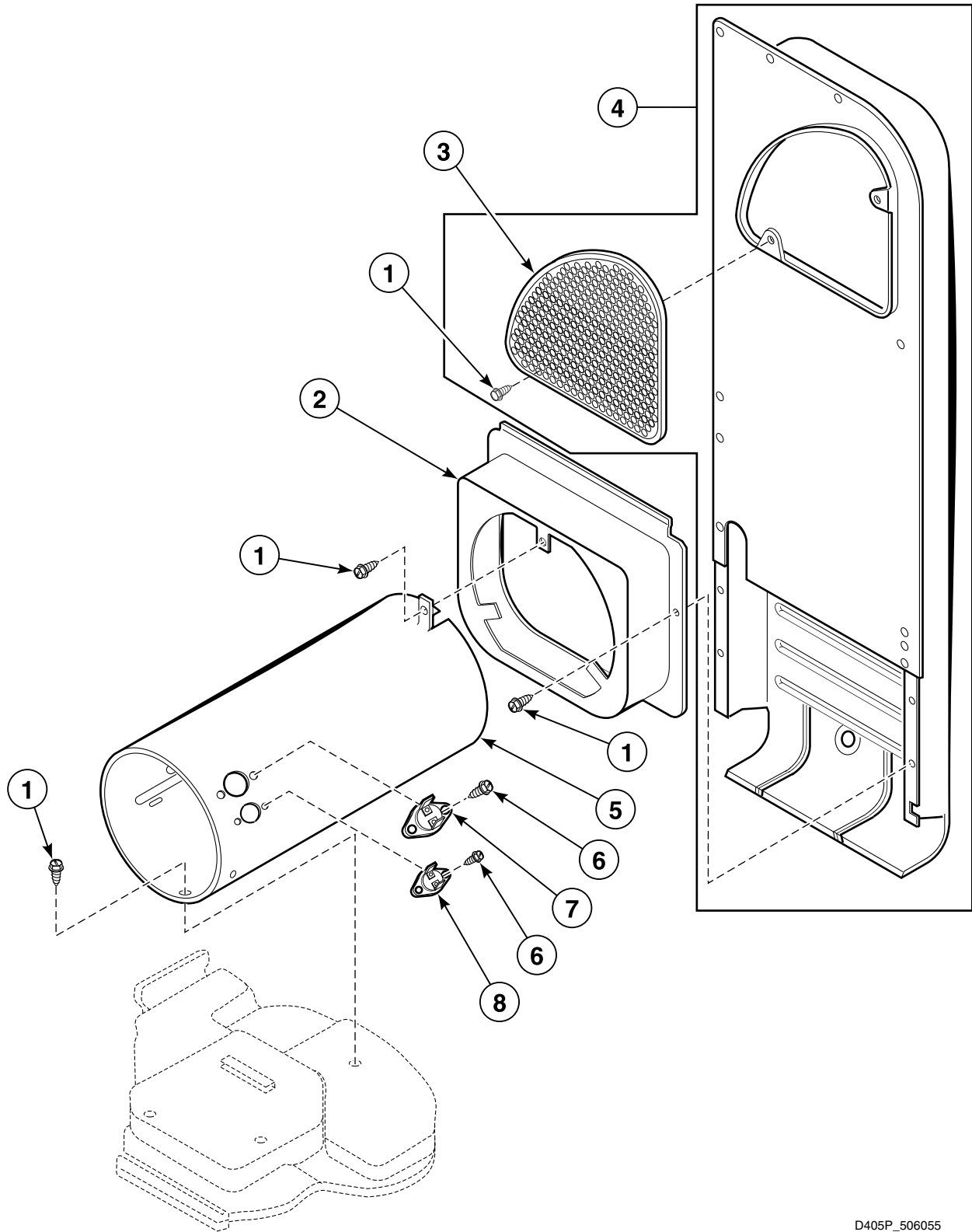
## Heater Duct and Element Assembly - 1 Phase

REF	PART NO.	DESCRIPTION	COMMENTS
1	503688	Screw	
2	500820	Outlet Cover	
3	510025P	Heater Duct and Screw Assembly	Includes items 1 and 2
4	510528	Wire Assembly	Orange; Thermostat jumper; Attaches to heater assembly
5	510527	Wire Assembly	Black; Fuse jumper; Attaches to heater assembly
6	511412	Thermal Fuse Assembly	
7	23222	Screw	
8	510701	Limit Thermostat	
9	510324P	Heater Assembly	Models HDE007*F1702, HDE107*F1702, HDE507*F1702, HDE707*F1702, HDE807*F1702, HDE907*F1702, HDEB07*J1702, HDEF07*J1702, HDET07*F1702, HDEX07*F1702, HDEY07*F1702, HDEZ07*F1702, HFE507*F1702, HFE707*F1702, HFEB07*J1702, HFEX07*F1702, HFEY07*F1702, KFET17NF1702, KFEY17NF1702, SDE107*F5412, SDE107*F5417, SDE907*F5412 and SFEX07*F3300
	510327P	Heater Assembly	Models JDE807*F4350, JDE907*F4350, SDE007*F4350, SDE107*F4350, SDE407*F4350, SDE807*F4350, SDE907*F4350, SDEA07*J4350, SDEF07*J4350, SDEX07*F4350 and SFEX07*F4350
	510330P	Heater Assembly	Models HDE107*F1502, HDE507*F1502, HDE707*F1502, HDE907*F1502, HDEB07*J1502, HDEF07*J1502, HDER07*F1502, HDER07*F1702, HDET07*F1502, HDEX07*F1502, HDEY07*F1502, HDEY07*F99N2 and HDEZ07*F1502
	510326P	Heater Assembly	All other models

\* Add Letter To Designate Color. G - Gray L - Almond Q - Bisque W - White

# Heater Duct Assembly

Gas Models



D405P\_506055

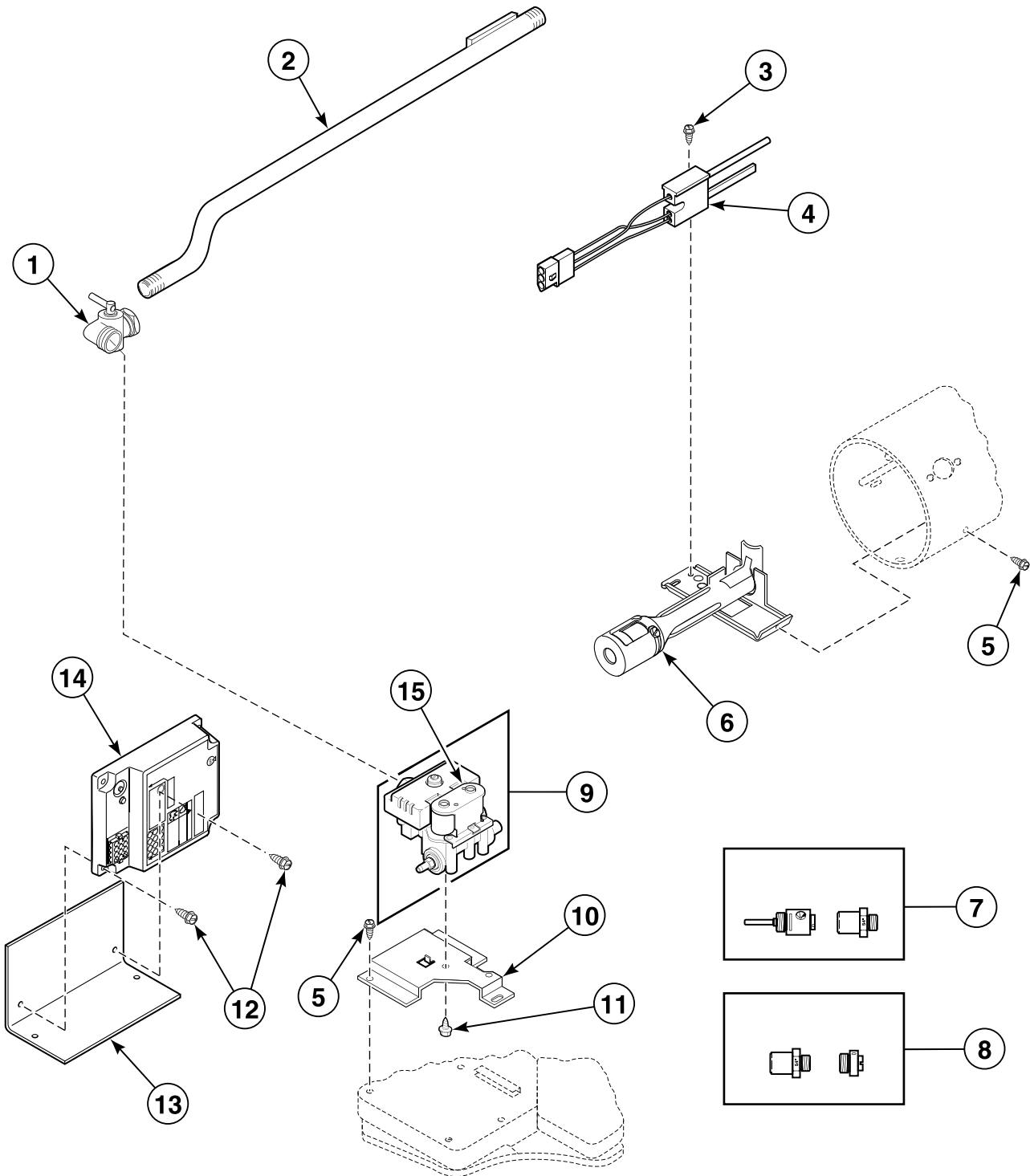
# Heater Duct Assembly

REF	PART NO.	DESCRIPTION	COMMENTS
1	503688	Screw	
2	510101	Heat Duct Shroud	
3	500820	Outlet Cover	
4	510025P	Heater Duct and Screw Assembly	Includes items 1 and 3
5	510132	Combustion Duct	Models SDG009*F3058, SDG109*F3058 and SDG409*F3058
	510131	Combustion Duct	All other models
6	51782	Screw	
7	510702	Limit Thermostat	Black
8	510703	Thermostat	Models SDG009*F3058, SDG109*F3058 and SDG409*F3058

\* Add Letter To Designate Color. G - Gray L - Almond Q - Bisque W - White

# Gas Valve, Igniter, Ignition Control and Gas Conversion Kits

Models HDG009\*G3008, HDG109\*G3013, SDG009\*F3058, SDG109\*F3058, SDG109\*G3013 and SDG409\*F3058



DRY2061P\_506055

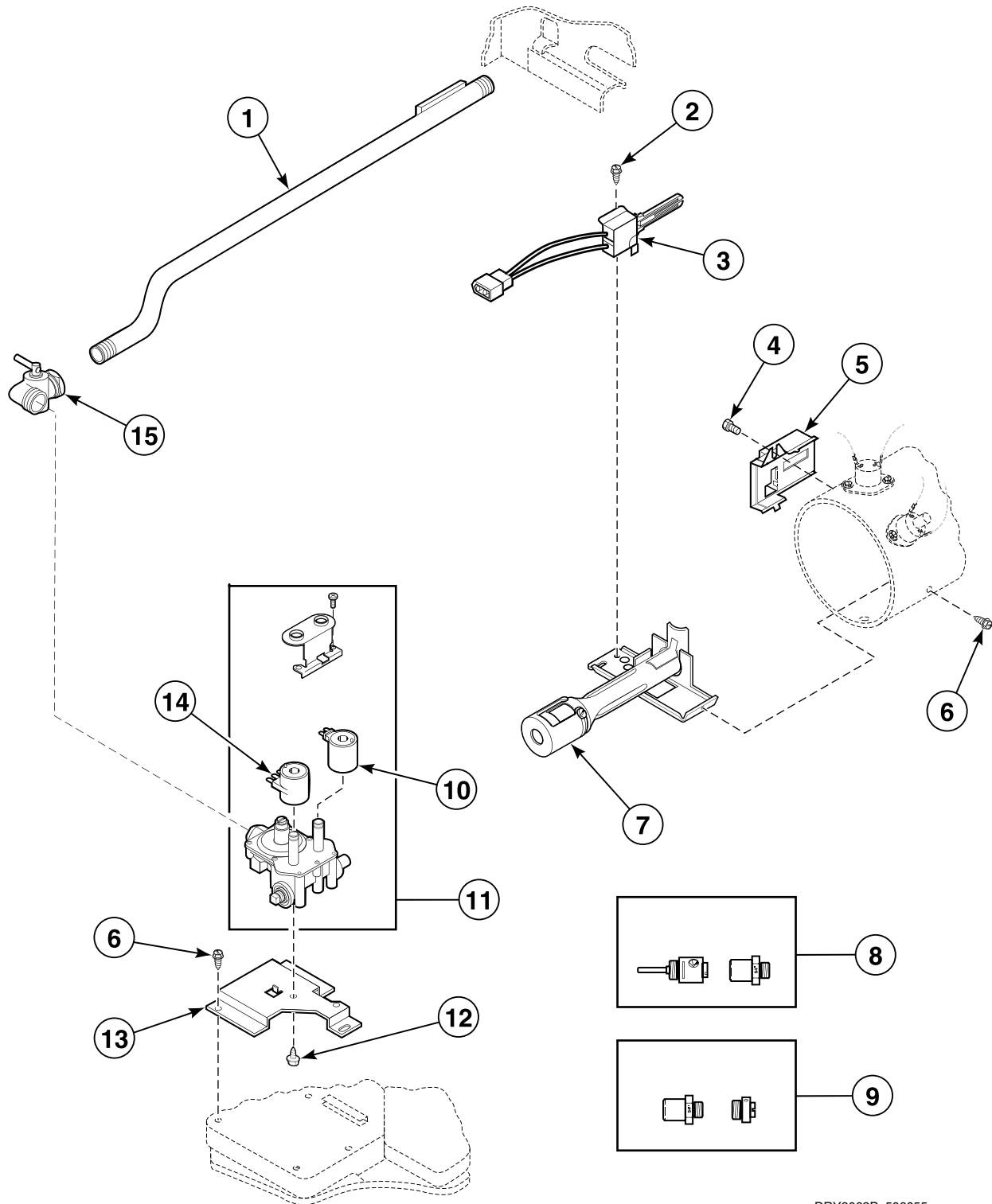
## Gas Valve, Igniter, Ignition Control and Gas Conversion Kits

REF	PART NO.	DESCRIPTION	COMMENTS
1	510205	Elbow Shut-Off Valve	
2	510204	Lead-In Pipe Assembly	
3	51782	Screw	
4	502995P	Igniter and Sensor Assembly	
5	503688	Screw	
6	510149P	Burner Assembly	
7	600P3	L.P. Conversion Kit	Natural Gas (N.G.) to Liquid Petroleum Gas (L.P.); 8.5 kW; Models HDG009*G3008, HDG109*G3013 and SDG109*G3013
	458P3	L.P. Conversion Kit	N.G. to L.P.; 25,000 Btu; Models SDG009*F3058, SDG109*F3058 and SDG409*F3058
8	459P3	N.G. Conversion Kit	L.P. to N.G.; 25,000 Btu; Models SDG009*F3058, SDG109*F3058 and SDG409*F3058
9	502478P	Gas Valve Assembly	Includes item 15
10	510128	Gas Valve Mounting Bracket	
11	56124	Screw	
12	502535	Screw	
13	502425	Ignition Control Bracket	
14	502994P	Igniter Control	
15	502423A	Main and Redundant Coil	240 Volt/50 Hertz

\* Add Letter To Designate Color. G - Gray L - Almond Q - Bisque W - White

# Gas Valve, Igniter and Gas Conversion Kits

All Gas Models Except Those with F3058, G3008 and G3013 Suffixes



DRY2062P\_506055

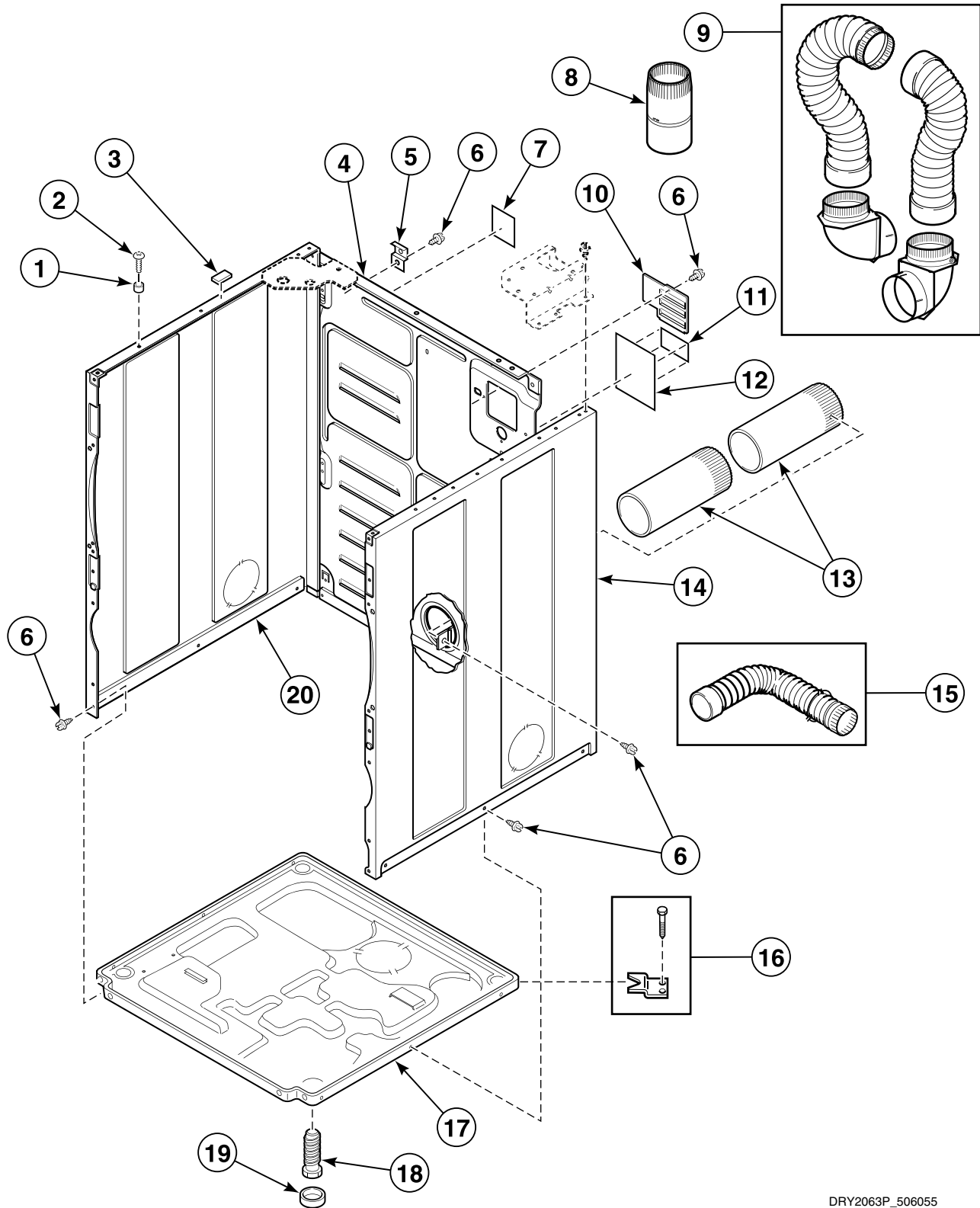


## Gas Valve, Igniter and Gas Conversion Kits

REF	PART NO.	DESCRIPTION	COMMENTS
1	510204	Lead-In Pipe Assembly	
2	51782	Screw	
3	510184P	Igniter and Bracket Assembly	
4	23222	Screw	
5	510213	Sensor	
6	503688	Screw	
7	510149P	Burner Assembly	
8	600P3	L.P. Conversion Kit	Used to convert dryers from Natural Gas (N.G.) or Mixed Gas to Liquid Petroleum Gas (L.P.) for 25,000 Btu; Models HDG009*M3008, HDG109*M3013, HDGX09*M3013, HFGX09*M3013, JDG809*M3020, JDG909*M3020, KFGX19NM3020, KFGY19NM3020, NFGX09*M3013, PDG809*M3013, SDG109*M3013, SDG909*M3013, SDGX09*M3013 and SFGX09*M3013
	458P3	L.P. Conversion Kit	Used to convert dryers from N.G. or Mixed Gas to L.P. for 25,000 Btu; All other models
9	459P3	N.G. Conversion Kit	Used to convert dryers from L.P. to N.G. or Mixed Gas for 25,000 Btu; All models except HDG009*M3008, HDG109*M3013, HDGX09*M3013, HFGX09*M3013, JDG809*M3020, JDG909*M3020, KFGX19NM3020, KFGY19NM3020, NFGX09*M3013, PDG809*M3013, SDG109*M3013, SDG909*M3013, SDGX09*M3013 and SFGX09*M3013
10	58804B	Secondary Coil	60 Hertz; Models BDG809*F1102, BDG909*F1102, HDG009*F1102, HDG109*F1102, HDG509*F1102, HDG709*F1102, HDG809*F1102, HDG909*F1102, HDGB09*J1102, HDGF09*J1102, HDGR09*F1102, HDGT09*F1102, HDGX09*F1102, HDGY09*F1102, HDGZ09*F1102, HFG509*F1102, HFG709*F1102, HFGX09*F1102, KFGT19NF1102, KFGY19NF1102, SDG109*F5412 and SDG909*F5412
	59063B	Secondary Coil	50 Hertz; All other models
11	60353P	Gas Valve Assembly	60 Hertz; 25,000 Btu; Models BDG809*F1102, BDG909*F1102, HDG009*F1102, HDG109*F1102, HDG509*F1102, HDG709*F1102, HDG809*F1102, HDG909*F1102, HDGB09*J1102, HDGF09*J1102, HDGR09*F1102, HDGT09*F1102, HDGX09*F1102, HDGY09*F1102, HDGZ09*F1102, HFG509*F1102, HFG709*F1102, HFGX09*F1102, KFGT19NF1102 and KFGY19NF1102
	510506P	Gas Valve Assembly	60 Hertz; Models SDG109*F5412 and SDG909*F5412
	60443P	Valve Assembly	50 Hertz; 25,000 Btu; All other models
12	56124	Screw	
13	510128	Gas Valve Mounting Bracket	
14	58804A	Booster and Holding Coil	60 Hertz; Models BDG809*F1102, BDG909*F1102, HDG009*F1102, HDG109*F1102, HDG509*F1102, HDG709*F1102, HDG809*F1102, HDG909*F1102, HDGB09*J1102, HDGF09*J1102, HDGR09*F1102, HDGT09*F1102, HDGX09*F1102, HDGY09*F1102, HDGZ09*F1102, HFG509*F1102, HFG709*F1102, HFGX09*F1102, KFGT19NF1102, KFGY19NF1102, SDG109*F5412 and SDG909*F5412
	59063A	Booster and Holding Coil	50 Hertz; All other models
15	510205	Elbow Shut-Off Valve	

\* Add Letter To Designate Color. G - Gray L - Almond Q - Bisque W - White

# Cabinet, Exhaust Duct and Base



DRY2063P\_506055

## Cabinet, Exhaust Duct and Base

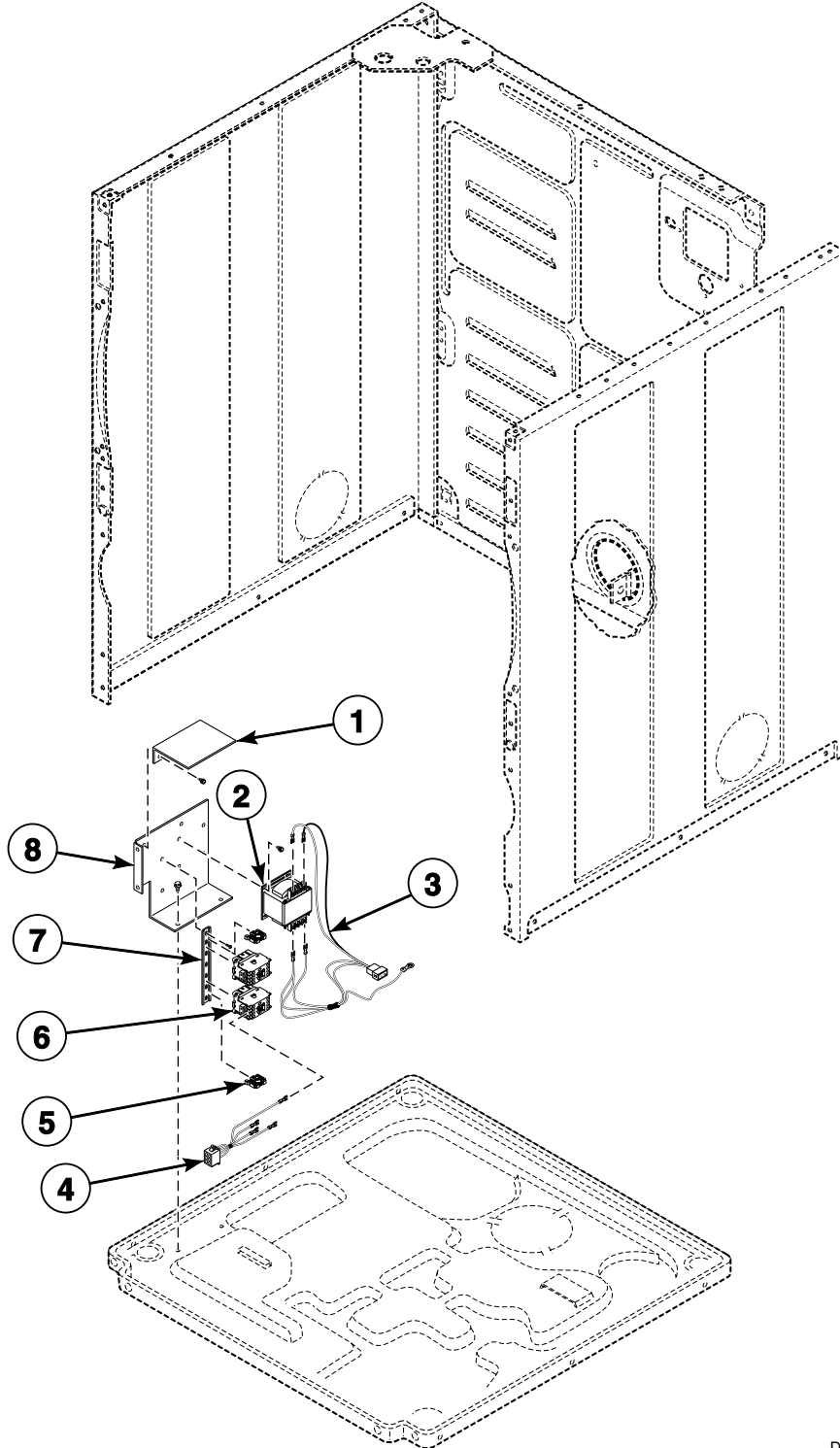
REF	PART NO.	DESCRIPTION	COMMENTS
1	56079	Panel Locator	
2	39733	Screw	
3	56128	Bumper Pad	
4	510005P	Cabinet Rear Panel	
5	510136	Top Hinge	
6	503688	Screw	
7	511004	Gas Clearance Label	Gas models
8	58786	Damper	Use when connecting to a manifold vent system
9	521P3	Flexible Venting Kit	
10	510903	Access Panel Plate	
11	N/A	Label	
12	511005	Electric Clearance Label	Electric models
13	510137	Exhaust Duct	Each dryer requires 2 pieces
14	512539	Cabinet Side Panel	Stainless steel; Right; Models KFET17NF1702, KFEX17NG3018, KFEX17NG4018, KFEY17NF1702, KFEY17NG3018, KFEY17NG4018, KFGT19NF1102, KFGX19NM3020, KFGY19NF1102 and KFGY19NM3020
	510002WP	Cabinet Side Panel	White; Right; All other models
	510002GP	Cabinet Side Panel	Gray; Right; All other models
	510002LP	Cabinet Side Panel	Almond; Right; All other models
	510002QP	Cabinet Side Panel	Bisque; Right; All other models
15	528P3	Directional Exhaust Kit	Used to vent dryer out the sides or bottom
16	526P3	Hold Down Kit	For mobile home installations
17	510084	Dryer Base	
18	510135	Leveling Leg	
19	501855	Rubber Foot	
20	512538	Cabinet Side Panel	Stainless steel; Left; Models KFET17NF1702, KFEX17NG3018, KFEX17NG4018, KFEY17NF1702, KFEY17NG3018, KFEY17NG4018, KFGT19NF1102, KFGX19NM3020, KFGY19NF1102 and KFGY19NM3020
	510001WP	Cabinet Side Panel	White; Left; All other models
	510001GP	Cabinet Side Panel	Gray; Left; All other models
	510001LP	Cabinet Side Panel	Almond; Left; All other models
	510001QP	Cabinet Side Panel	Bisque; Left; All other models

\* Add Letter To Designate Color. G - Gray L - Almond Q - Bisque W - White

N/A = Part no longer available

# Contactor and Transformer

Models HDG009\*M3008, HDGX09\*F3000, HDGX09\*M3013, HFGX09\*M3013, JDG809\*F3060, JDG809\*M3020, JDG909\*F3060, JDG909\*M3020, KFGX19NM3020, KFGY19NM3020, NFGX09\*M3013, NFGY09\*M3013, PDG809\*M3013, SDG009\*F3060, SDG109\*F3060, SDG109\*M3013, SDG809\*F3060, SDG909\*F3060, SDG909\*F5412, SDG909\*M3013, SDGF09\*J3060, SDGX09\*F3000, SDGX09\*F3060, SDGX09\*M3013 and SFGX09\*M3013



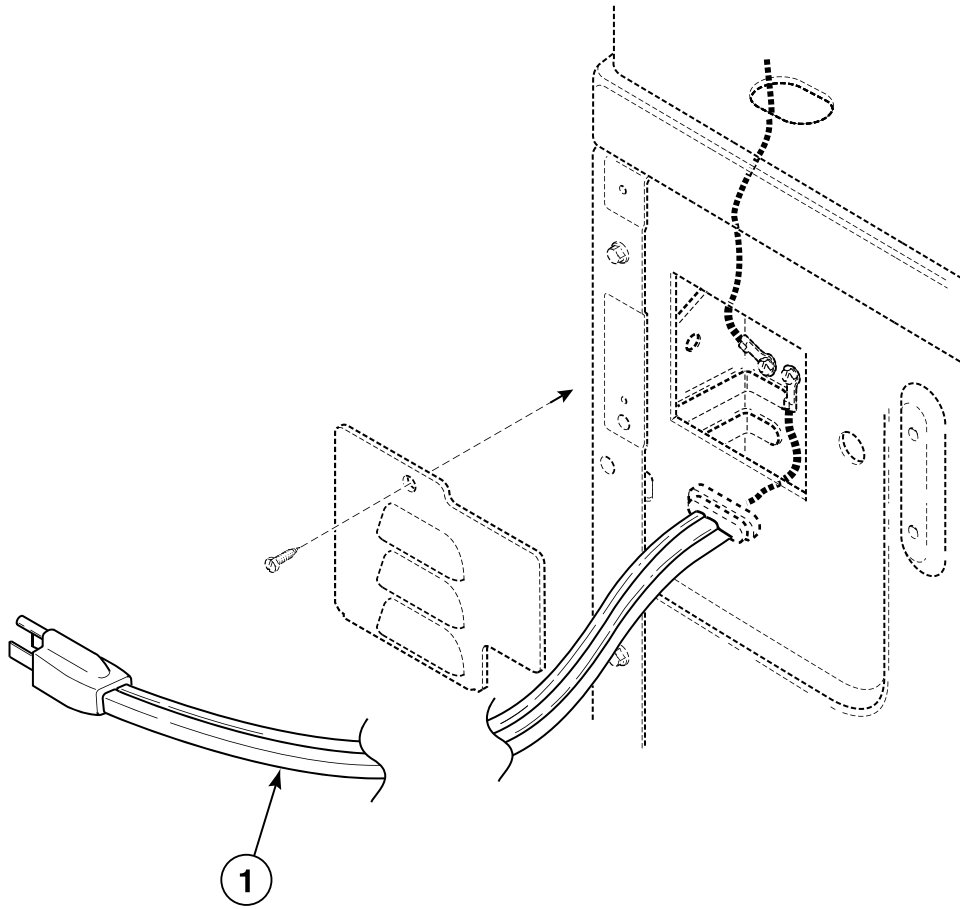
DRY2098P\_506055

## Contactor and Transformer

REF	PART NO.	DESCRIPTION	COMMENTS
1	801101	Card Reader Shield	Models HDGX09*M3013, HFGX09*M3013, KFGX19NM3020, KFGY19NM3020, NFGX09*M3013, NFGX09*M3013, SDGX09*M3013 and SFGX09*M3013
2	511658P	Transformer Kit	Includes item 3; Models HDG009*M3008, HDGX09*F3000, HDGX09*M3013, HFGX09*M3013, JDG809*F3060, JDG809*M3020, JDG909*F3060, JDG909*M3020, KFGX19NM3020, KFGY19NM3020, NFGX09*M3013, NFGX09*M3013, PDG809*M3013, SDG009*F3060, SDG109*F3060, SDG109*M3013, SDG809*F3060, SDG909*F3060, SDG909*M3013, SDGF09*J3060, SDGX09*F3000, SDGX09*F3060, SDGX09*M3013 and SFGX09*M3013
3	511303	Wire Harness Assembly	To transformer; Includes 502592 Fuse (3.15 Amp, 250 Volt); Models HDG009*M3008, HDGX09*F3000, HDGX09*M3013, HFGX09*M3013, JDG809*F3060, JDG809*M3020, JDG909*F3060, JDG909*M3020, KFGX19NM3020, KFGY19NM3020, NFGX09*M3013, NFGX09*M3013, PDG809*M3013, SDG009*F3060, SDG109*F3060, SDG109*M3013, SDG809*F3060, SDG909*F3060, SDG909*M3013, SDGF09*J3060, SDGX09*F3000, SDGX09*F3060, SDGX09*M3013 and SFGX09*M3013
4	511327	Harness Assembly	Models KFGX19NM3020, KFGY19NM3020, NFGX09*M3013, NFGX09*M3013 and SFGX09*M3013
5	70121001	End Stop	Models HDGX09*M3013, HFGX09*M3013, KFGX19NM3020, KFGY19NM3020, NFGX09*M3013, SDGX09*M3013 and SFGX09*M3013
6	M412404P	Contactor	Models HDGX09*M3013, HFGX09*M3013, KFGX19NM3020, KFGY19NM3020, NFGX09*M3013, NFGX09*M3013, SDGX09*M3013 and SFGX09*M3013
7	M412693	Din Rail	Models HDGX09*M3013, HFGX09*M3013, KFGX19NM3020, KFGY19NM3020, NFGX09*M3013, SDGX09*M3013 and SFGX09*M3013
8	511859	Contactor Bracket	Models HDGX09*F3000, HDGX09*M3013, HFGX09*M3013, JDG809*F3060, JDG809*M3020, JDG909*F3060, JDG909*M3020, KFGX19NM3020, KFGY19NM3020, NFGX09*M3013, NFGX09*M3013, PDG809*M3013, SDG809*F3060, SDG909*F3060, SDG909*F5412, SDG909*M3013, SDGF09*J3060, SDGX09*F3000, SDGX09*F3060, SDGX09*M3013 and SFGX09*M3013

\* Add Letter To Designate Color. G - Gray L - Almond Q - Bisque W - White

# Power Cord



DRY1856PA\_506055

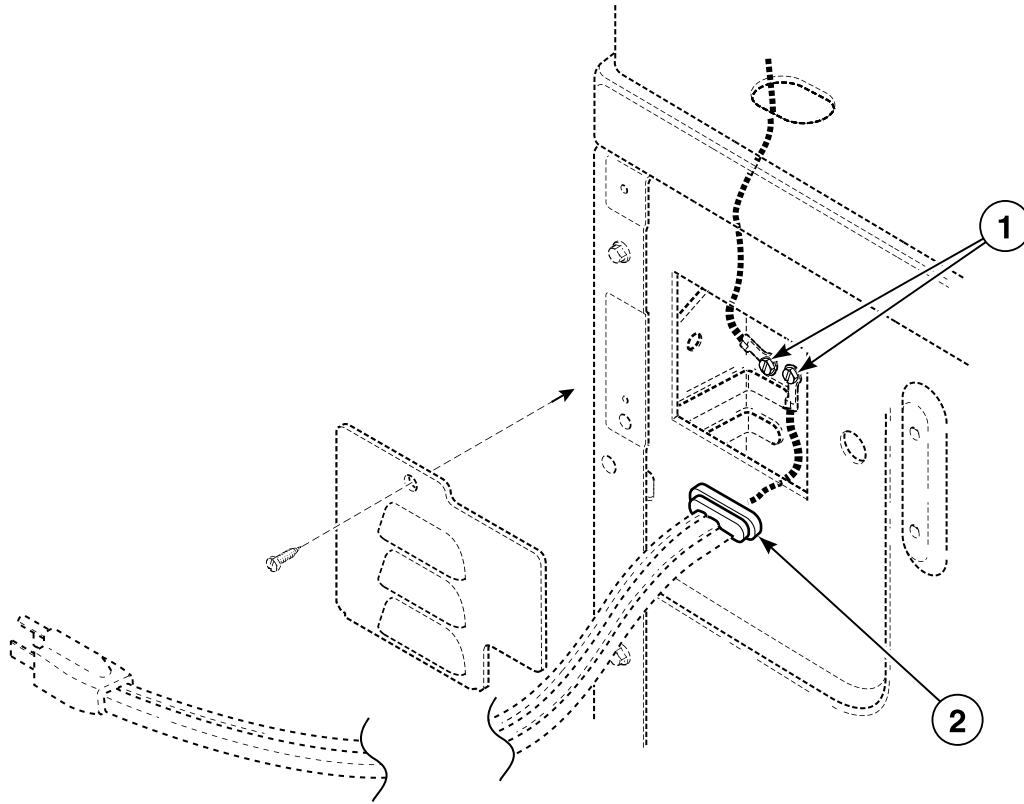
# Power Cord

REF	PART NO.	DESCRIPTION	COMMENTS
1	510505P	Lead-In Cord Assembly	Models HDE007*F1702, HDE107*F1502, HDE107*F1702, HDE507*F1502, HDE507*F1702, HDE707*F1502, HDE707*F1702, HDE807*F1702, HDE907*F1502, HDE907*F1702, HDEB07*J1502, HDEB07*J1702, HDEF07*J1502, HDEF07*J1702, HDER07*F1502, HDER07*F1702, HDET07*F1502, HDET07*F1702, HDEX07*F1502, HDEX07*F1702, HDEY07*F1502, HDEY07*F1702, HDEY07*F99N2, HDEZ07*F1502, HDEZ07*F1702, HFE507*F1702, HFE707*F1702, HFEB07*J1702, HFEX07*F1702, HFEY07*F1702, KFET17NF1702 and KFEY17NF1702
	61605P	Lead-In Cord Kit	Includes item 2; Models JDE807*F4350, JDE907*F4350, SDE007*F4350, SDE107*F4350, SDE407*F4350, SDE807*F4350, SDE907*F4350, SDEA07*J4350, SDEF07*J4350, SDEX07*F4350 and SFEX07*F4350
	N/A	Lead-In Cord	Models JDG809*F3060, JDG909*F3060, SDG009*F3058, SDG009*F3060, SDG109*F3058, SDG109*F3060, SDG409*F3058, SDG809*F3060, SDG909*F3060, SDGF09*J3060 and SDGX09*F3060
	503597	Lead-In Cord Assembly	Models FDE807*G3018, GDE807*G3018, GDE907*G3018, HDE007*G3003, HDE007*G3008, HDE007*G3010, HDE107*G3003, HDE107*G3018, HDE907*G3018, HDEX07*G3018, JDE807*G3018, JDE907*G3018, KFEX17NG3018, KFEY17NG3018, NDE007*G3018, NDE807*G3018, NFEX07*G3018, PDE807*G3018, SDE007*G3018, SDE107*G3018, SDE907*G3018, SDEX07*G3018 and SFEX07*G3018
	56222	Lead-In Cord	Models BDG809*F1102, BDG909*F1102, HDG009*F1102, HDG109*F1102, HDG509*F1102, HDG709*F1102, HDG809*F1102, HDG909*F1102, HDGB09*J1102, HDGF09*J1102, HDGR09*F1102, HDGT09*F1102, HDGX09*F1102, HDGY09*F1102, HDGZ09*F1102, HFG509*F1102, HFG709*F1102, HFGX09*F1102, KFGT19NF1102 and KFGY19NF1102
	N/A	Power Cord Assembly	Models HDG009*G3008, HDG009*M3008, HDG109*G3013, HDG109*M3013, HDGX09*M3013, HFGX09*M3013, NFGL49*M3013, NFGX09*M3013, PDG809*M3013, SDG109*G3013, SDG109*M3013, SDG909*M3013, SDGX09*M3013, SFGX09*M3013 and UDG009*F3025
	505938	Lead-In Cord Assembly	Model UDE007*F3025
	59373	Lead-In Cord	Models JDG809*M3020, JDG909*M3020, KFGX19NM3020, KFGY19NM3020, SDG109*F5412 and SDG909*F5412

\* Add Letter To Designate Color. G - Gray L - Almond Q - Bisque W - White

N/A = Part no longer available

# Strain Relief



DRY1856P\_506055



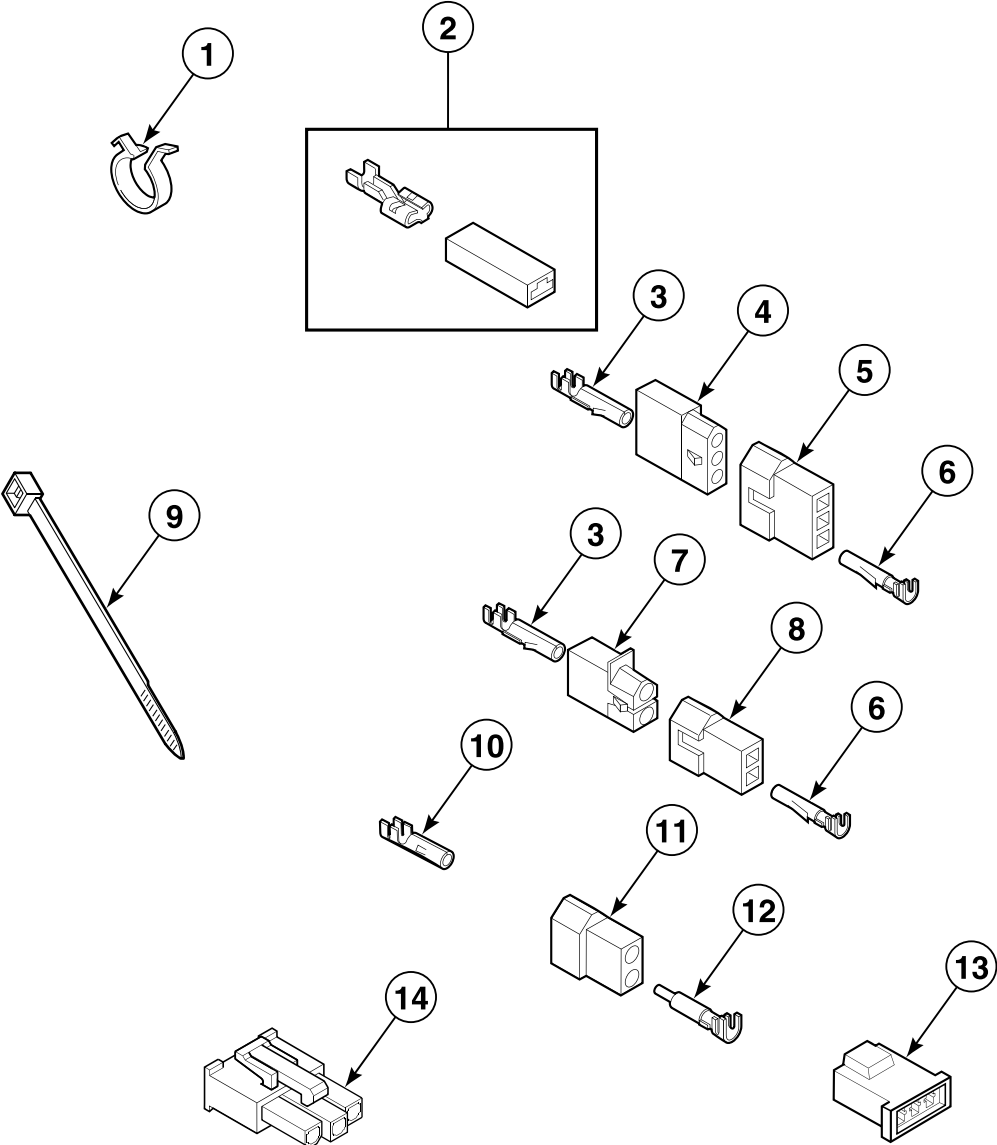
# Strain Relief

REF	PART NO.	DESCRIPTION	COMMENTS
	502496	Strain Relief Adapter	Use with 59373 Lead-In Cord, 502786 Power Cord Assembly, 503597 Lead-In Cord Assembly and 506081 Power Cord Assembly
<b>1</b>	20530	Screw	
<b>2</b>	52113	Strain Relief	Models FDE807*G3018, GDE807*G3018, GDE907*G3018, HDE007*G3003, HDE007*G3008, HDE007*G3010, HDE107*G3003, HDE107*G3018, HDE907*G3018, JDE807*F4350, JDE807*G3018, JDE907*F4350, JDE907*G3018, KFEX17NG3018, KFEY17NG3018, NDE007*G3018, NDE807*G3018, NFEX07*G3018, PDE807*G3018, SDE007*F4350, SDE007*G3018, SDE107*F4350, SDE107*G3018, SDE407*F4350, SDE807*F4350, SDE907*F4350, SDE907*G3018, SDEA07*J4350, SDEF07*J4350, SDEX07*F4350, SDG109*F5412, SDG909*F5412, SFEX07*F4350 and SFEX07*G3018
	38384	Strain Relief	Models BDG809*F1102, BDG909*F1102, HDG009*F1102, HDG109*F1102, HDG509*F1102, HDG709*F1102, HDG809*F1102, HDG909*F1102, HDGB09*J1102, HDGF09*J1102, HDGR09*F1102, HDGT09*F1102, HDGX09*F1102, HDGY09*F1102, HDGZ09*F1102, HFGX09*F1102, KFGT19NF1102 and KFGY19NF1102
	N/A	Strain Relief	Models HDG009*G3008, HDG009*M3008, HDG109*G3013, HDG109*M3013, HFGX09*M3013, JDG809*F3060, JDG809*M3020, JDG909*F3060, JDG909*M3020, KFGX19NM3020, KFGY19NM3020, NFGL49*M3013, NFGX09*M3013, PDG809*M3013, SDG009*F3058, SDG009*F3060, SDG109*F3058, SDG109*F3060, SDG109*G3013, SDG109*M3013, SDG409*F3058, SDG809*F3060, SDG909*F3060, SDG909*M3013, SDGF09*J3060, SDGX09*F3060, SDGX09*M3013, SFGX09*M3013 and UDG009*F3025

\* Add Letter To Designate Color. G - Gray L - Almond Q - Bisque W - White

N/A = Part no longer available

# Terminal Block and Terminals

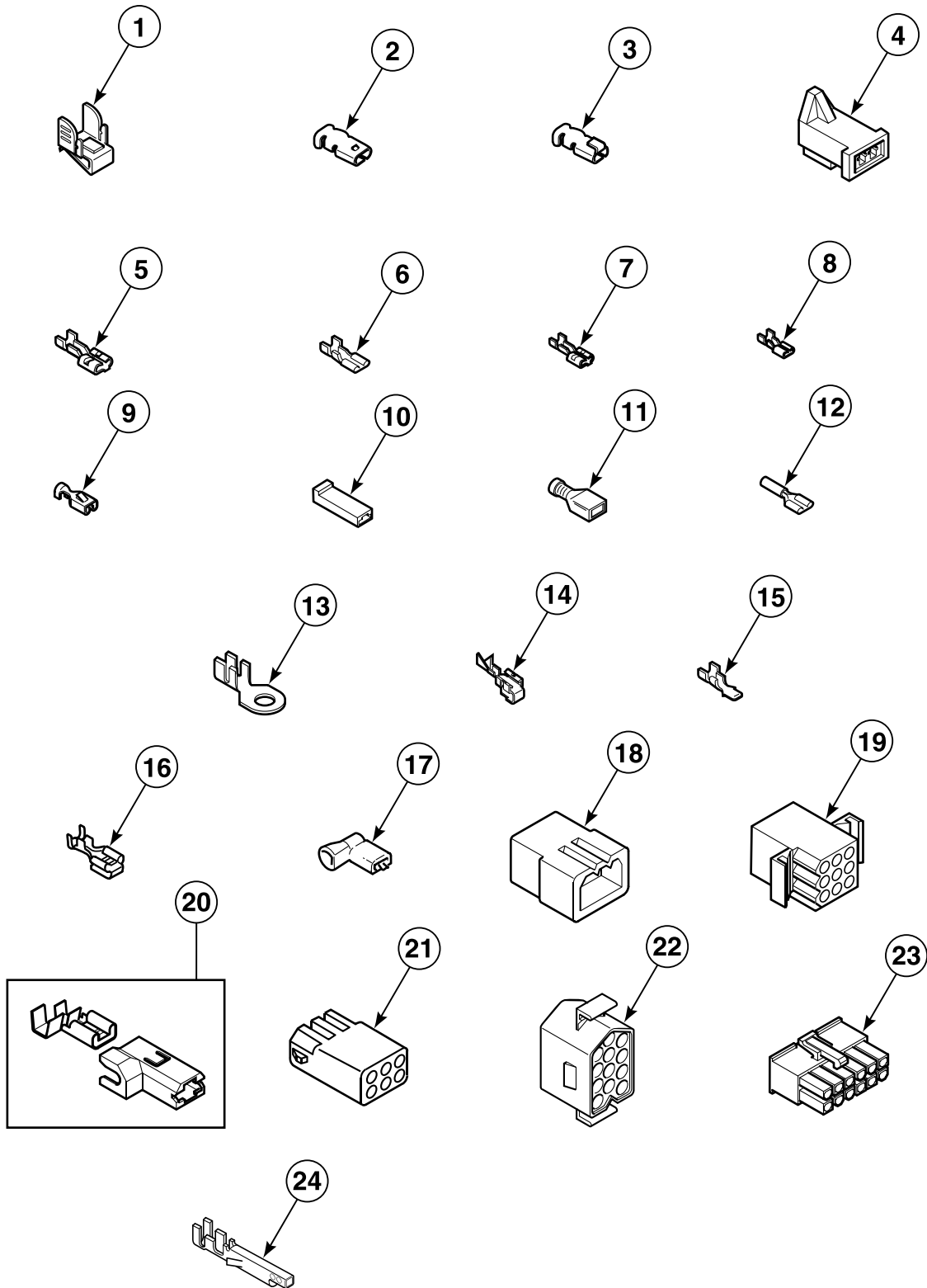


DRY2064P\_506055

## Terminal Block and Terminals

REF	PART NO.	DESCRIPTION	COMMENTS
1	504034	Wire Clip	
2	00360	Ultra Pod Terminal	(1) 12 gauge wire or (2) 18 gauge wires
3	00117	Female Pin Terminal	
4	23039	3 Circuit Receptacle	
	56265	2 Circuit Receptacle	
5	23040	Plug	3 circuit
6	00116	Male Pin Terminal	
7	56451	2 Circuit Receptacle	
8	56448	2 Circuit Plug	
9	55881	Harness Strap	
10	00130	Female Pin Terminal	1/8 inch; 16-18 gauge wire
	00128	Female Pin Terminal	1/8 inch; 10-14 gauge wire
11	56266	2 Circuit Plug	
12	00127	Male Pin Terminal	.18 insulation diameter
	00129	Male Pin Terminal	.12 insulation diameter
13	58800	3 Circuit Connector	
14	36170	3 Circuit Receptacle	

# Terminals



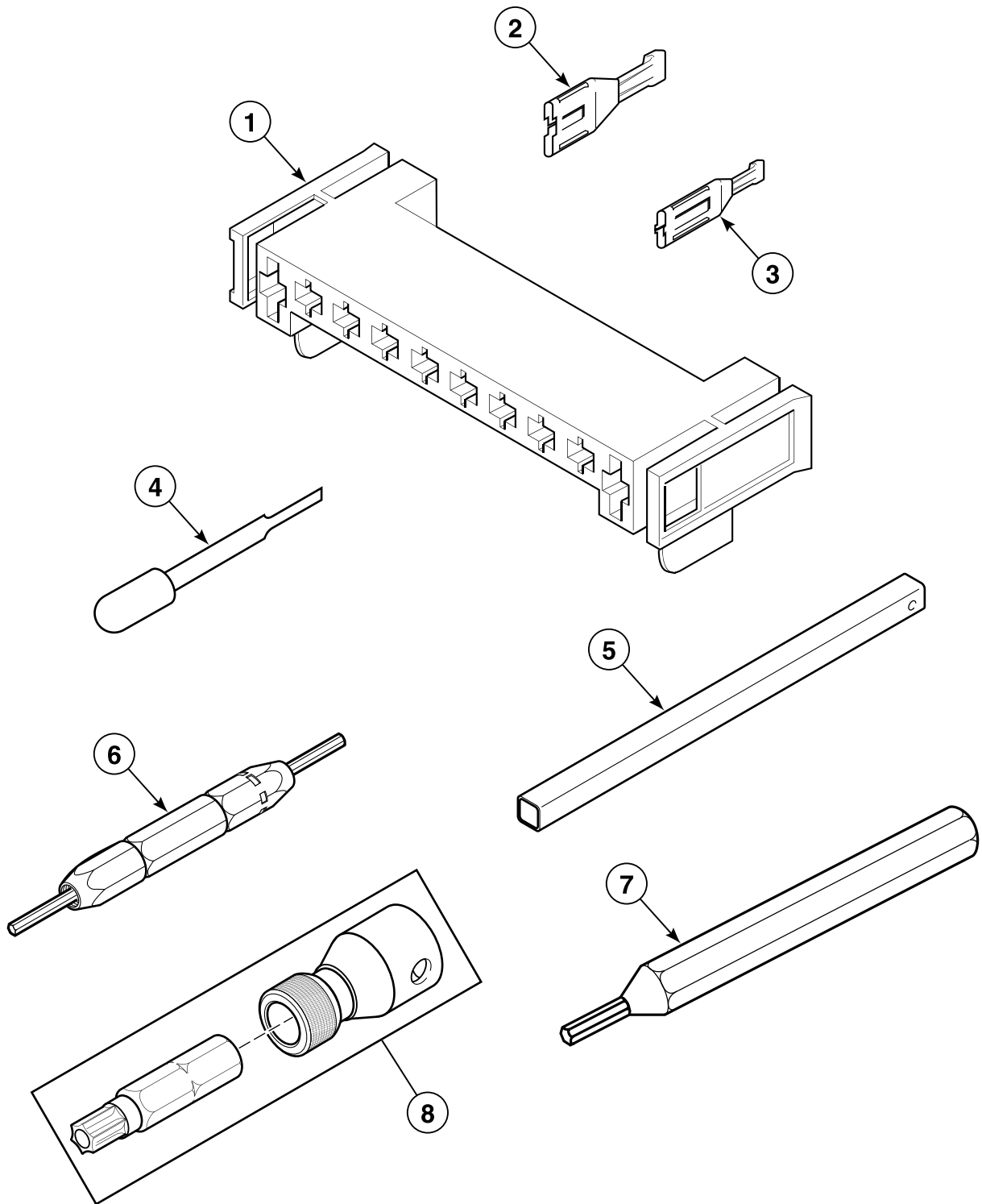
DRY2065P\_506055

# Terminals

REF	PART NO.	DESCRIPTION	COMMENTS
1	00161	Grounding Clip	
2	00189	Female Spade Terminal	
3	00361	Female Piggyback Terminal	
4	58799	2 Circuit Connector	
5	00223	Female Spade Terminal	1/4 inch; (1) 18 gauge wire
	00121	Female Spade Terminal	1/4 inch; (2) 18 gauge wires or (1) 12 gauge wire
	00245	Spade Terminal	1/4 inch; (1) 22 gauge wire
6	00124	Female Spade Terminal	3/16 inch; (1) 18 gauge wire; .020 tab
	00156	Female Spade Terminal	3/16 inch; Thermostat wire; .032 tab
	N/A	Female Spade Terminal	3/16 inch; (2) 18 gauge wires; .020 tab
7	00222	Female Spade Terminal	1/4 inch
8	00347	Terminal	
9	00115	Female Spade Terminal	1/4 inch; (1) 18 gauge wire
	00321	Female Spade Terminal	1/4 inch; (2) 18 gauge wires or (1) 12 gauge wire
10	90789	Receptacle Housing	
11	00359	Ultra Pod Terminal	1/4 inch
	00165	Insulated Female Terminal	3/16 inch
12	N/A	Pre-Insulated Spade Terminal	1/4 inch; 18 gauge wire
	00215	Pre-Insulated Spade Terminal	1/4 inch; 12 gauge wire
13	00110	Ring Terminal	(1) 18 gauge wire
	00111	Ring Terminal	(2) 18 gauge wires or (1) 12 gauge wire
	00319	Ring Terminal	(2) 18 gauge wires or (1) 14 gauge wire
14	00114	Female Spade Terminal	1/4 inch; Double connector
15	00139	Male Tab Terminal	1/4 inch; (2) 18 gauge wires or (1) 12 gauge wire
16	00344	Female Tab Terminal	
17	00345	Flag Insulated Terminal	
18	26302	1 Circuit Plug	
	23033	9 Circuit Plug	
	23041	6 Circuit Plug	
19	26163	9 Circuit Receptacle	
	56855	12 Circuit Receptacle	
20	00221	Insulated Female Flag Terminal	1/4 inch
21	26708	6 Circuit Receptacle	
	26301	1 Circuit Receptacle	
22	54522	Plug	
23	501333	12 Circuit Receptacle	
	34596	10 Circuit Receptacle	
24	00252	Terminal	

N/A = Part no longer available

# Motor Connection Block and Tools

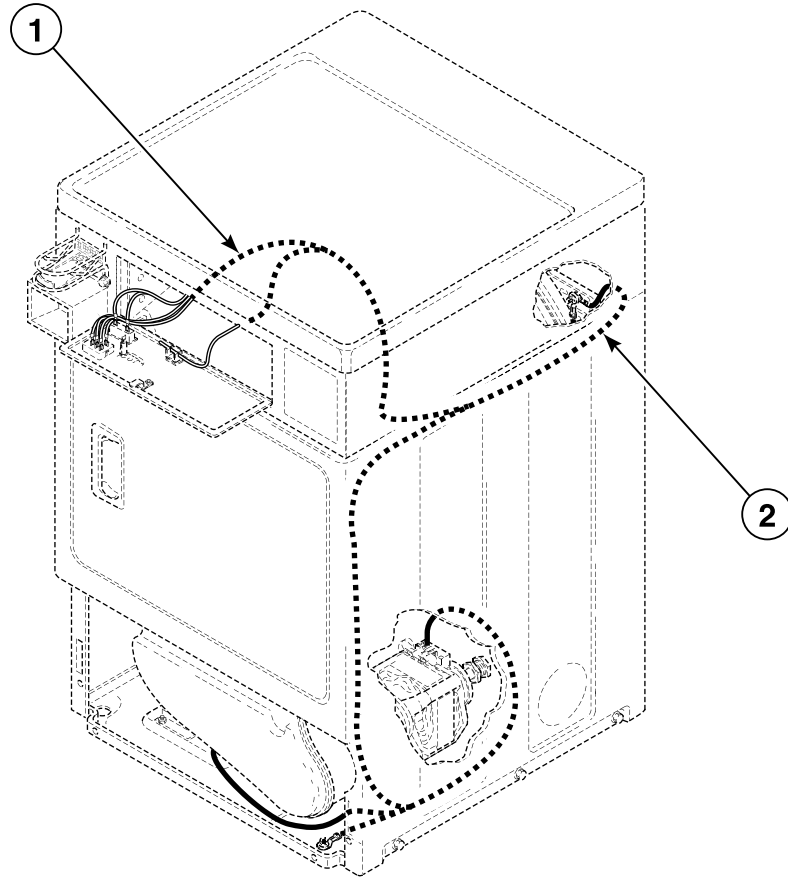


DRY2066P\_506055

## Motor Connection Block and Tools

REF	PART NO.	DESCRIPTION	COMMENTS
1	500338	10 Position Housing	
2	00255	Female Terminal	1/4 inch; For (1) 12 gauge wire
	00256	Female Terminal	1/4 inch; For (1) or (2) 18 gauge wires
3	00188	Female Terminal	For 1 or 2 wire application
4	283P4	Terminal Extractor Tool	For use on Molex connectors
5	310P4	Ratchet Extension Tool	1/4 inch; For coin drop installation
6	190P4	Extractor Tool	For use on electric dryer terminals
7	128P4	Extractor Tool	For use on gas dryer terminals
8	281P4	Torx Bit	T15 Tamper Resistant Bit
	282P4	Torx Bit	Use with 62853 Screw on access panel; T25 Tamper Resistant Bit
	292P4	Torx Bit	T20 Standard Bit
	24161	Bit Holder	Use with 62853 Screw on access panel; 3/8 inch
	93501	Torx Drive Tool	T10 Standard Bit

# Wire Harnesses and Wires - Front Control



DRY1915P\_506055



## Wire Harnesses and Wires - Front Control

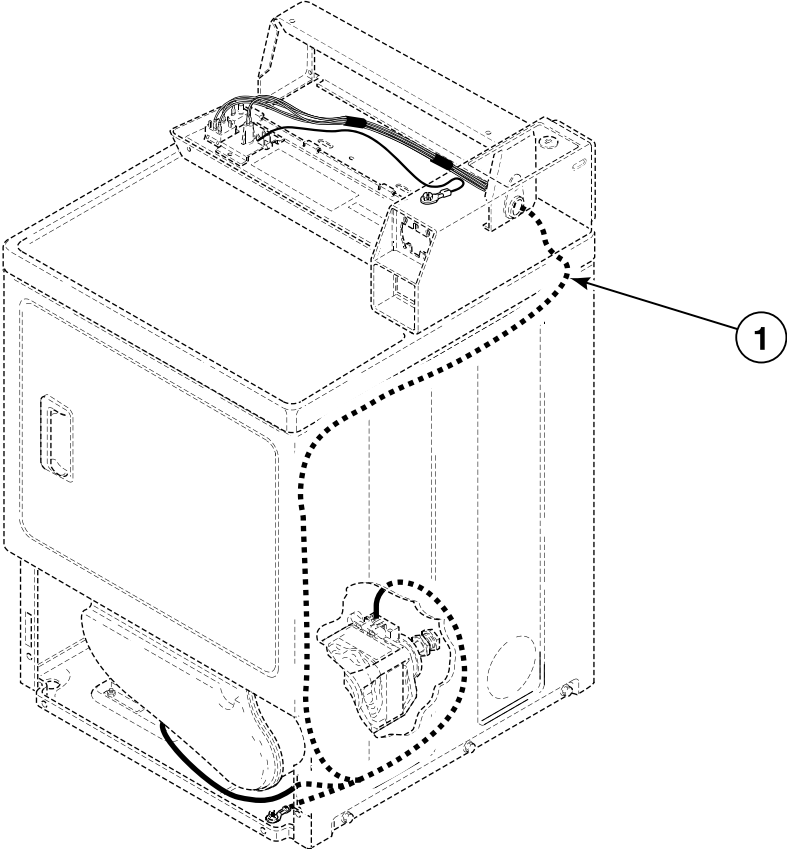
REF	PART NO.	DESCRIPTION	COMMENTS
	45380	12 Gauge Wire	Orange; Order wire by foot; Order terminals and connectors as required
	45001	18 Gauge Wire	Black; Order wire by foot; Order terminals and connectors as required
1	511348P	MDC Security Cabinet Wire Harness	3 Phase; Models BFEL07*G4018, HFEL47*G4018, HFEL67*G4018, NFEL47*G4018, NFEL67*G4018 and SFEL67*G4018
2	511340P	Front Control Wire Harness	Models HFEL47*G4018 and NFEL47*G4018
	N/A	Front Control Wire Harness	Model HFE167*G4018
	511346	Front Control Wire Harness	Models BFEL07*G4018, HFEL67*G4018, NFEL67*G4018 and SFEL67*G4018
	511756	Front Control Wire Harness	Models BFEX07*G4018, NFEX07*G4018, SFEX07*G4018, SFEX67*G4018 and SFEY07*G4018
	511316	Wire Harness Assembly	Models NFEX07*G3018, SFEX07*F3300, SFEX07*F4350 and SFEX07*G3018
	510487P	Wire Harness Assembly	Model HFGX09*F1102
	510488P	Wire Harness Assembly	Models HFEB07*J1702, HFEX07*F1702 and HFEY07*F1702
	511755	Wire Harness Assembly	Models HFGX09*M3013, NFGX09*M3013 and SFGX09*M3013
	511825	Wire Harness Assembly	Model NFGL49*M3013
	512728	Wire Harness Assembly	Models KFET17NF1702 and KFEY17NF1702
	512730	Electronic Wire Harness Assembly	Models KFEX17NG3018 and KFEY17NG3018
	512731P	Wire Harness Assembly	Models KFGX19NM3020 and KFGY19NM3020
	512729	Wire Harness Assembly	Models KFGT19NF1102 and KFGY19NF1102
	512400	Front Control Harness Assembly	3 Phase; Models KFEX17NG4018 and KFEY17NG4018

\* Add Letter To Designate Color. L - Almond Q - Bisque W - White

N/A = Part no longer available

**NOTE: Individual wires are not available separately. Order complete harness, or order wire by the foot. When applying terminals to wires, it is recommended that the terminals be soldered to the wires.**

# Wire Harnesses and Wires - Rear Control



DRY1916P\_506055

## Wire Harnesses and Wires - Rear Control

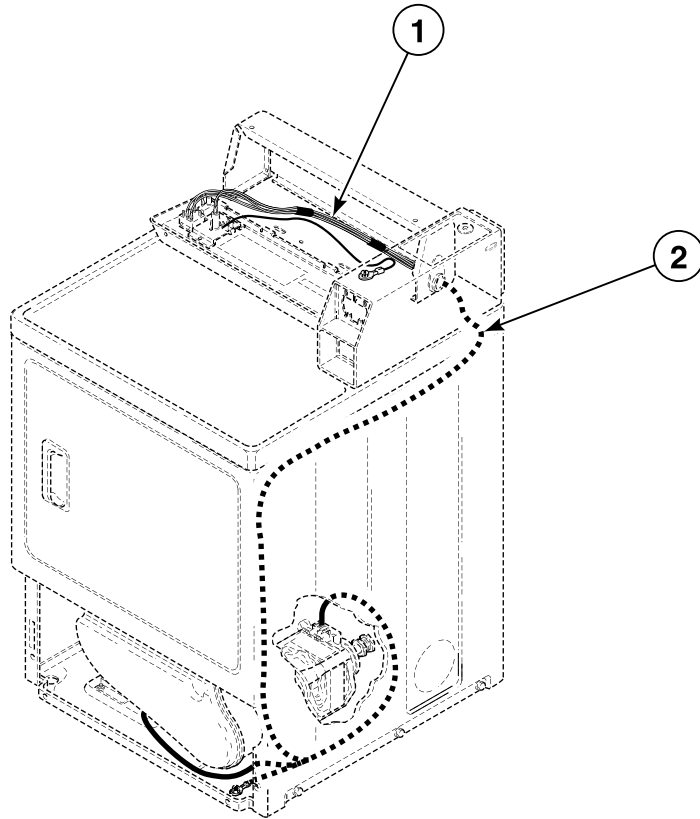
REF	PART NO.	DESCRIPTION	COMMENTS
	45380	12 Gauge Wire	Orange; Order wire by foot; Order terminals and connectors as required
	45001	18 Gauge Wire	Black; Order wire by foot; Order terminals and connectors as required
1	N/A	Wire Harness Assembly	Models HDE007*G3003, HDE007*G3008, HDE007*G3010, HDG009*F3000, HDG009*G3008, HDG009*M3008, HDG109*G3013, HDG109*M3013, HDG509*F1102, HDG709*F1102, NDE007*G3018, SDE007*F3000, SDE007*F4350, SDE007*G3018, SDE407*F3000, SDG009*F3000, SDG109*F3058, SDG109*G3013, SDG109*M3013, UDE007*F3000, UDE007*F3025, UDG009*F3000 and UDG009*F3025
	510400P	Wire Harness Assembly	Models HDE107*F1502 and HDE107*F1702
	510401P	Wire Harness Assembly	Model HDG109*F1102
	510404P	Wire Harness Assembly	Models HDE007*F1702 and HDE007*F3000
	510405P	Wire Harness Assembly	Model HDG009*F1102
	510407P	Wire Harness Assembly	Models HDG509*F1102 and HDG709*F1102
	510430P	Wire Harness Assembly	Models HDE107*F3000, SDE107*F3000, SDE107*F4350 and SDE107*F5412
	510431P	Wire Harness Assembly	Models HDG109*F3000, SDG109*F3000 and SDG109*F5412
	510432P	Wire Harness Assembly	Models HDE507*F1502, HDE507*F1702, HDE707*F1502 and HDE707*F1702
	510453P	Wire Harness Assembly	Model SDG009*F3058
	510458	Wire Harness Assembly	Models HDE107*G3003, HDE107*G3018 and SDE107*G3018
	510462	Wire Harness Assembly	Model SDE407*F4350
	510467	Wire Harness Assembly	Model SDG409*F3058
	510480	Wire Harness Assembly	Models HDEX07*F3000, HDEX07*G3018, SDEA07*J3000, SDEA07*J4350, SDEF07*J4350, SDEX07*F3000, SDEX07*F4350 and SDEX07*G3018
	510486	Wire Harness Assembly	Models HDEB07*J1502, HDEB07*J1702, HDEF07*J1502, HDEF07*J1702, HDER07*F1502, HDER07*F1702, HDET07*F1502, HDET07*F1702, HDEX07*F1502, HDEX07*F1702, HDEY07*F1502, HDEY07*F1702, HDEY07*F99N2, HDEZ07*F1502 and HDEZ07*F1702
	511315	Wire Harness Assembly	Models HDGX09*M3013 and SDGX09*M3013
	511326	Wire Harness Assembly	Models HDE007*G4008, HDE007*G4010 and NDE007*G4018
	511327	Harness Assembly	Model SDG009*F3060
	511328	Wire Harness Assembly	Models HDE107*G4018 and SDE107*G4018
	511334	Wire Harness Assembly	Model SDEX07*G4018
	511339P	Wire Harness Assembly	Model SDG109*F3060
	511337	Wire Harness Assembly	Model SDG009*F3060
	510485P	Wire Harness Assembly	Models HDGB09*J1102, HDGR09*F1102, HDGX09*F1102 and HDGY09*F1102

\* Add Letter To Designate Color. G - Gray L - Almond Q - Bisque W - White

N/A = Part no longer available

**NOTE: Individual wires are not available separately. Order complete harness, or order wire by the foot. When applying terminals to wires, it is recommended that the terminals be soldered to the wires.**

# Wire Harnesses



DRY2039P\_506055

# Wire Harnesses

REF	PART NO.	DESCRIPTION	COMMENTS
1	512510	Hood Harness	Models BDG809*F1102, FDE807*G3018, FDE807*G4018, GDE807*G3018, HDE807*F1702, HDG809*F1102, JDE807*F4350, JDE807*G3018, JDG809*F3060, JDG809*M3020, NDE807*G3018, NDE807*G4018, PDE807*G3018, PDE807*G4018, PDG809*M3013, SDE807*F3000, SDE807*F4350 and SDG809*F3060
	512140	Wire Harness Assembly	Some models have a 3/16 inch spade terminal on the coin slide switch; When replacing harness on these models, the switch mount assembly must also be replaced; Models BDG909*F1102, GDE907*G3018, HDE907*F1502, HDE907*F1702, HDE907*G3018, HDE907*G4018, HDG909*F1102, JDE907*F4350, JDE907*G3018, JDG909*F3060, JDG909*M3020, SDE907*F3000, SDE907*F4350, SDE907*F5412, SDE907*G3018, SDE907*G4018, SDG909*F3060, SDG909*F5412 and SDG909*M3013
2	511790P	Electronic Harness	Models GDE907*G3018, HDE907*F1502, HDE907*F1702, HDE907*G3018, JDE907*F4350, JDE907*G3018, SDE907*F3000, SDE907*F4350, SDE907*F5412 and SDE907*G3018
	512515P	Wire Harness Assembly	Models JDG809*F3060 and SDG809*F3060
	512513P	Wire Harness Assembly	Models JDG809*M3020 and PDG809*M3013
	512512	Wire Harness Assembly	Models FDE807*G3018, GDE807*G3018, HDE807*F1702, JDE807*F4350, JDE807*G3018, NDE807*G3018, PDE807*G3018, SDE807*F3000 and SDE807*F4350
	512518P	Wire Harness Assembly	Models FDE807*G4018, NDE807*G4018 and PDE807*G4018
	512511P	Wire Harness Assembly	Models BDG809*F1102 and HDG809*F1102
	512283	Wire Harness Assembly	Models JDG909*M3020, SDG909*F5412 and SDG909*M3013
	511789	Electronic Harness	Models BDG909*F1102 and HDG909*F1102
	512281	Wire Harness Assembly	Models JDG909*F3060 and SDG909*F3060
	512646P	Wire Harness Assembly	Models HDE907*G4018 and SDE907*G4018

\* Add Letter To Designate Color. G - Gray L - Almond Q - Bisque W - White



# Parts Index

## A

Access Panel	
510069GP .....	69
510069LP .....	69
510069QP .....	69
510069WP .....	69
512543 .....	69
Access Panel Plate	
510903 .....	97
Accumulator Kit	
510632P .....	63
Accumulator Replacement Kit	
510629P .....	63
Adhesive	
511637 .....	79, 81, 83, 85
Air Duct Assembly	
510151 .....	79, 81
512630 .....	79
Anti-Seize Compound	
27604P .....	73, 75
Audit Switch Bracket	
800379 .....	43

## B

Bit Holder	
24161 .....	109
Blank Black Label	
512824 .....	53
Block to Relay Harness	
511112 .....	87
Blower and Fan Kit	
510717P .....	75
Blower Fan Assembly	
510139P .....	75
Blower Housing and Cover Kit	
511969P .....	75
Blower Housing Seal	
510238P .....	75
Bolt	
02505 .....	23, 25, 27, 33, 35
29651 .....	23, 25, 27, 41, 59, 61
512505 .....	55
Booster and Holding Coil	
58804A .....	95
59063A .....	95
Bracket	
510146 .....	39
Bulkhead Assembly	
505899WP .....	79
Bumper Pad	
56128 .....	97
Burner Assembly	
510149P .....	93, 95

## C

Cabinet Rear Panel	
510005P .....	97
Cabinet Side Panel	
510001GP .....	97
510001LP .....	97
510001QP .....	97
510001WP .....	97
510002GP .....	97
510002LP .....	97
510002QP .....	97
510002WP .....	97
512538 .....	97
512539 .....	97
Card Insert Overlay	
511548 .....	53
511561 .....	53
Card Reader	
512473 .....	35, 55
Card Reader and Bracket Assembly	
510068P .....	19
Card Reader Assembly	
210045P .....	19
Card Reader Bracket	
210023 .....	19
Card Reader Instruction Overlay	
38192 .....	35, 55
Card Reader Kit	
874P3 .....	35
876P3 .....	55
Card Reader Shield	
801101 .....	99
Card Reader Wire Harness Assembly	
38191 .....	35
800125P .....	19
Caution Label	
500253 .....	69
Chassis Mounting Bracket	
201581 .....	27
Clean Lint Label	
502804 .....	69
Clip	
201572 .....	31, 49
Coin Drop	
38479P .....	29, 47
38963P .....	29, 47
Coin Drop Assembly	
200578P .....	29, 47
38462P .....	29, 47
38463 .....	29, 47
38464P .....	29, 47
38467 .....	29, 47
38472 .....	29, 47
38475 .....	29, 47
38519 .....	29, 47
38521 .....	29, 47
38522 .....	29, 47
39157 .....	29, 47
Coin Drop Harness	
800212P .....	47

N/A items do not appear in index.

Coin Drop Kit CK077 .....	29, 47	512533W .....	11
Coin Drop Wire Harness 201104 .....	31, 49	512705 .....	45
Coin Funnel Kit 523P3 .....	23, 25, 27, 41	Control Panel Overlay 511508 .....	19
Coin Identification Paper 38725 .....	31, 49	512368 .....	11
Coin Meter Drive M400754 .....	63	512489 .....	13
Coin Slide Extension 503455 .....	41	512490 .....	13
503733 .....	23	512677 .....	13
506114 .....	25	512679 .....	11
Coin Slide Guard 58181 .....	41	512865 .....	13
Combustion Duct 510131 .....	91	512927 .....	11
510132 .....	91	Control Shield 512304 .....	27
Connector, 2 Circuit 58799 .....	107	Conversion Kit 756P3 .....	87
Connector, 3 Circuit 58800 .....	105	Cylinder Assembly 510265P .....	79, 81
Contactors F330177P .....	87	512700 .....	79
M412404P .....	99	Cylinder Baffle 510102 .....	79, 81
Contactors Bracket 511859 .....	99	512625 .....	79
Control Assembly 511867P .....	17, 19, 45, 59	Cylinder Belt 511255P .....	73
512621P .....	27	Cylinder Glide 510187 .....	79, 81
Control Cabinet Bottom 801488 .....	59	Cylinder Glide Bracket 510145 .....	79, 81
Control Hood 502567L .....	9, 13, 15, 17, 35	Cylinder Light Assembly 512109 .....	79
502567Q .....	9, 13, 15, 17, 35	512564 .....	79
502567W .....	9, 13, 15, 17, 35	Cylinder Light Lens 512106 .....	79
511253L .....	11, 19	Cylinder Roller 510708P .....	83, 85
511253Q .....	11, 19	Cylinder Roller Bracket 510100 .....	83, 85
511253W .....	11	Cylinder Seal Assembly 510207P .....	79, 81, 83, 85
Control Kit M411883P .....	15		
M414050P .....	15, 45	<b>D</b>	
505905P .....	17, 19, 45	Damper 58786 .....	97
Control Panel 501359Q .....	15	Diagnostic Wire Harness Assembly 800374 .....	45
501359W .....	15	800680 .....	19, 59
510067L .....	17	Din Rail M412693 .....	87, 99
510067Q .....	17	Directional Exhaust Kit 528P3 .....	97
510067W .....	17	Disconnect Power Warning Label 505281 .....	37
511055L .....	19	Domed Label 800921 .....	59
511055Q .....	19	800922 .....	59
511055W .....	19	Door Catch Assembly 510177 .....	69
511648W .....	59	Door Handle Wedge 510129 .....	67
Control Panel and Bracket Assembly 501738L .....	7, 13	Door Pull and Wedge Kit 510103LP .....	67
501738Q .....	7, 13	510103QP .....	67
501738W .....	7, 13	510103WP .....	67
504447L .....	41		
504447Q .....	41		
504447W .....	41		
505510L .....	45		
505510W .....	45		
510077W .....	45		
Control Panel Assembly 512533Q .....	11		

N/A items do not appear in index.



Door Pull Kit 512620P .....	65
Door Strike 510181 .....	65, 67
Door Strike Mount 510127 .....	65, 67
Door Switch Bracket 38087 .....	33, 51
Drum Light Lamp 503579 .....	79
512563 .....	79
Drum Light Lens 503623 .....	79
Dryer Base 510084 .....	97
Dryer Door 510013GP .....	67
510013LP .....	67
510013QP .....	67
510013WP .....	67
512699 .....	65
Dryer Door Window 503982 .....	65
Dual Coin Harness 800213P .....	17, 47, 49, 53
Dual Overlay 39073 .....	33, 51

## E

Elbow Shut-Off Valve 510205 .....	93, 95
Electric Clearance Label 511005 .....	97
Electrical Shock Label 502511 .....	37
Electronic Coin Drop Assembly 70294101P .....	31, 49
70294103P .....	31, 49
70294104 .....	31, 49
70294105P .....	31, 49
70294107 .....	31, 49
70294109 .....	31, 49
70294110 .....	31, 49
70294111 .....	31, 49
Electronic Coin Drop Kit CK095 .....	31, 49
CK099 .....	31, 49
CK100 .....	31, 49
CK101 .....	31, 49
CK103 .....	31, 49
CK106 .....	31, 49
CK108 .....	31, 49
CK109 .....	31, 49
Electronic Harness 511789 .....	115
511790P .....	115
Electronic Wire Harness Assembly 512730 .....	111
End Cap 210108W .....	11, 19
210109W .....	11, 19
End Stop 70121001 .....	87, 99

Exhaust Duct 510137 .....	97
Expansion Clip 70030501 .....	59
Extractor Tool 128P4 .....	109
190P4 .....	109

## F

Fabric Selector Switch 61512 .....	7, 11, 41
Felt Pad 510189 .....	79, 81
Female Piggyback Terminal 00361 .....	107
Female Pin Terminal 00117 .....	105
00128 .....	105
00130 .....	105
Female Spade Terminal 00114 .....	107
00115 .....	107
00121 .....	107
00124 .....	107
00156 .....	107
00189 .....	107
00222 .....	107
00223 .....	107
00321 .....	107
Female Tab Terminal 00344 .....	107
Female Terminal 00188 .....	109
00255 .....	109
00256 .....	109
Flag Insulated Terminal 00345 .....	107
Flexible Venting Kit 521P3 .....	97
Front Bulkhead Assembly 510266P .....	81
512476 .....	79
Front Control Harness Assembly 512400 .....	111
Front Control Wire Harness 511340P .....	111
511346 .....	111
511756 .....	111
Front Panel 510066GP .....	71
510066LP .....	71
510066QP .....	71
510066WP .....	71
512542 .....	71
Front Panel Seal 511056 .....	71
Fuse 502592 .....	37
502593 .....	37
Fuse Carrier 502811 .....	37
Fuse Holder Bracket 502589 .....	37

N/A items do not appear in index.

Fuse Holder Kit 502591P .....	37
----------------------------------	----

## G

Gas Clearance Label 511004 .....	97
Gas Valve Assembly 502478P .....	93
510506P .....	95
60353P .....	95
Gas Valve Mounting Bracket 510128 .....	93, 95
Graphic Overlay 504113 .....	15
505695 .....	45
510070 .....	17
510113 .....	19
511232 .....	19
511233 .....	17
511573 .....	45
511654 .....	59
511895 .....	7
511896 .....	7
511897 .....	7, 13
511898 .....	7
511899 .....	45
511900 .....	7
511901 .....	7
511904 .....	7
511905 .....	7
512008 .....	45
512029 .....	45
512054 .....	59
512102 .....	45
512495 .....	13
512534 .....	45
512726 .....	45
512849 .....	11
Grounding Clip 00161 .....	107

## H

Harness 512501 .....	35, 55
Harness Assembly 511327 .....	99, 113
Harness Replacement Kit 510534P .....	41
Harness Strap 55881 .....	105
Heat Duct Shroud 510101 .....	91
Heater 511014P .....	87
Heater Assembly 510324P .....	89
510326P .....	89
510327P .....	89
510330P .....	89
Heater Duct and Screw Assembly 510025P .....	87, 89, 91

Hinge 511036 .....	59, 65, 67
Hinge Hole Plug 510186 .....	71
Hold Down Kit 526P3 .....	97
Hood Back Plate 505798 .....	9, 13, 15, 17, 19
Hood Harness 512510 .....	115
Housing, 10 Position 500338 .....	109

## I

Idler Lever 510133 .....	75
Idler Lever and Wheel Assembly 510158 .....	75
Idler Spring 510185 .....	75
Idler Wheel and Bearing Assembly 510142P .....	75
Igniter and Bracket Assembly 510184P .....	95
Igniter and Sensor Assembly 502995P .....	93
Igniter Control 502994P .....	93
Ignition Control Bracket 502425 .....	93
Indicator Light 38280 .....	7
Instruction Label 500628 .....	23, 25
502783 .....	21
Instruction Overlay 504585 .....	41, 51, 53, 55
Instruction Plate 500490 .....	21
Insulated Female Flag Terminal 00221 .....	107
Insulated Female Terminal 00165 .....	107

## J

Jumper Configuration Assembly M413507 .....	17, 43, 59
Jumper Wire Assembly 511270 .....	87

## K

Key 54612 .....	41, 43
--------------------	--------

N/A items do not appear in index.

---

**L**

Lead-In Cord	
56222 .....	101
59373 .....	101
Lead-In Cord Assembly	
503597 .....	101
505938 .....	101
510505P .....	101
Lead-In Cord Kit	
61605P .....	101
Lead-In Pipe Assembly	
510204 .....	93, 95
Left Control Cabinet Side	
800900LP .....	59
800900QP .....	59
800900WP .....	59
Leveling Leg	
510135 .....	97
Light	
32464 .....	7, 11, 41
32519 .....	7
36967 .....	7
801431 .....	13
Light Housing Assembly	
512108 .....	79
Limit Thermostat	
510701 .....	87, 89
510702 .....	91
Liner Assembly	
512914 .....	65
Liner Door Seal	
510147P .....	65, 67
Liner, Seal and Grill Assembly	
510163WP .....	67
Lint Filter	
503980 .....	79, 81
512623 .....	79
Lock Cam	
27261 .....	41, 43
Lock Kit	
27260P .....	41, 43
Long Vault Slide Extension Kit	
788P3 .....	25
Long Vault Timer Bracket	
200832 .....	25
Long Vault Timer Bracket Kit	
789P3 .....	25
L.P. Conversion Kit	
458P3 .....	93, 95
600P3 .....	93, 95

---

**M**

Main and Redundant Coil	
502423A .....	93
Male Pin Terminal	
00116 .....	105
00127 .....	105
00129 .....	105
Male Tab Terminal	
00139 .....	107

Manual Reset Thermostat	
M411941 .....	77
MDC Central Pay Harness	
511478 .....	45, 59
MDC Overlay	
511429 .....	17
511431 .....	17
511486 .....	17
MDC Security Cabinet Wire Harness	
511348P .....	111
Mechanical Counter Kit Assembly	
201280P .....	25
Meter Case and Funnel Kit	
524P3L .....	23
524P3Q .....	23
524P3W .....	23
Meter Case Assembly	
38724L .....	33
38724Q .....	33
38724W .....	33
802505Q .....	33
802505W .....	33
Meter Case Bracket Gasket	
35526 .....	23, 25, 27, 33
Meter Case Gasket	
26354 .....	23, 25, 27, 33
Meter Case Kit	
201010LP .....	25
201010QP .....	25, 27
201010WP .....	25, 27
Meter Case Lockdown Bracket	
35525 .....	23, 25, 27, 33
Meter Case Locking Bracket	
30642 .....	23, 25, 27, 33, 35
Motor and Pulley Assembly	
505843P .....	73
505869P .....	73
511629P .....	73
Motor Hub Ring Kit	
590P3 .....	73
Motor Mount	
510060 .....	75
Motor Mount Clamp	
510180 .....	73
Motor Pulley	
500011 .....	73
500222 .....	73
Motor Switch Kit	
501218P .....	73
Mounting Tool Kit	
CK096 .....	31, 49
Multiplier Assembly	
38571 .....	33, 51

---

**N**

Nut	
201216 .....	31, 49
24205 .....	7, 11, 13, 41
27222 .....	37
28447 .....	85
29786 .....	9, 13, 21, 23, 25, 27, 29, 33, 35, 47
29796 .....	23, 25, 27, 41, 61
30647 .....	23, 25, 27, 33, 35

N/A items do not appear in index.

36020 .....	57, 61
52566 .....	15, 17, 35, 75
52947 .....	7, 11, 13, 41
56156 .....	75, 83, 85
80077 .....	41, 51
802337 .....	27
N.G. Conversion Kit	
459P3 .....	93, 95

## O

Opto Coupler	
200674P .....	29
Outlet Cover	
500820 .....	87, 89, 91
Overlay	
201091 .....	33
512487 .....	11
512491 .....	11
512492 .....	11

## P

Panel Locator	
56079 .....	69, 71, 97
Plug	
23040 .....	105
54522 .....	107
Plug, 1 Circuit	
26302 .....	107
Plug, 2 Circuit	
56266 .....	105
56448 .....	105
Plug, 6 Circuit	
23041 .....	107
Plug, 9 Circuit	
23033 .....	107
Pop Rivet	
685847 .....	57, 59
Power Supply	
512496 .....	35, 55
Pre-Insulated Spade Terminal	
00215 .....	107
Programming Card	
512499P .....	35, 55
Push-to-Start Switch Boot	
512870P .....	11

## R

Ratchet Extension Tool	
310P4 .....	109
Ratchet Wheel	
53239 .....	63
Rear Bulkhead	
512698 .....	83, 85
Rear Bulkhead Assembly	
511082P .....	83, 85
Rear Control Cabinet	
801058 .....	59

Rear Panel	
511254 .....	11, 19
Receptacle Housing	
90789 .....	107
Receptacle, 1 Circuit	
26301 .....	107
Receptacle, 10 Circuit	
34596 .....	107
Receptacle, 12 Circuit	
501333 .....	107
56855 .....	107
Receptacle, 2 Circuit	
56265 .....	105
56451 .....	105
Receptacle, 3 Circuit	
23039 .....	105
36170 .....	105
Receptacle, 6 Circuit	
26708 .....	107
Receptacle, 9 Circuit	
26163 .....	107
Relay	
502501 .....	37
Relay to Heater Harness	
511114P .....	87
Resistor	
210100 .....	13, 17, 19, 43, 59
Retaining Ring	
23748 .....	75, 83, 85
Right Control Cabinet Side	
800915L .....	59
800915Q .....	59
800915W .....	59
Ring Terminal	
00110 .....	107
00111 .....	107
00319 .....	107
Rocker Switch	
512562P .....	11
Rubber Foot	
501855 .....	97

## S

Screw	
M405188 .....	51, 53, 71, 79
02916 .....	9, 13, 15, 17, 19, 21, 35
03203 .....	23, 25, 41
03950 .....	23, 41
20530 .....	103
23008 .....	57, 59, 61
23222 .....	87, 89, 95
23962 .....	35
27328 .....	11, 21, 27
28448 .....	85
31260 .....	75
33561 .....	77
33562 .....	41, 69
35528 .....	7, 11, 13, 15, 17, 19
36048 .....	25, 27, 33, 61
39733 .....	69, 71, 97
500226 .....	65
500227 .....	79
500824 .....	75

N/A items do not appear in index.

501086	9, 11, 13, 15, 17, 19, 21, 25
501285	79, 81, 83, 85
501524	15, 17, 27, 45
502431	23, 41, 51, 53, 55
502535	93
503661	13, 17, 19, 83
503673	23, 25, 27, 33, 35
503688	17, 19, 25, 27, 35, 37, 39, 41, 43, 51, 53, 55, 59, .. 61, 71, 75, 79, 81, 83, 85, 87, 89, 91, 93, 95, 97
505295	65, 67, 81
505870	65
511419	25
512504	35
512631	65
51778	21, 35
51782	27, 91, 93, 95
52864	7, 11, 13, 15, 17, 19, 79, 81
56124	93, 95
61199	85
62588	79, 81
62853	69
800930	59
Secondary Coil	
58804B	95
59063B	95
Security Cabinet Front Assembly	
505542W	55
505699WP	55
511209L	53
511209Q	53
511209WP	53
511523L	41
511523Q	41
511523W	41
511633LP	51
511633QP	51
511633WP	51
512708	51
512718	53
Security Cabinet Wrapper Assembly	
512711	51, 53
Security Case Assembly	
38145L	35
Security Case Gasket	
37526	35
Security Kit	
905P3	17, 19
Sensor	
510213	95
Service Door Assembly	
35798LP	23, 25, 33, 35
35798WP	23, 25, 33, 35
39874QP	27
39874WP	27
Shaft	
56461P	75, 83, 85
Shield	
56751	41
Single Overlay	
38717	33
512821	51
Slide Extension Assembly	
201915	27
Slide Extension Kit	
553P3	23

Slide Extension Modifier	
501796	23, 25
Spade Terminal	
00245	107
Speed Clip	
28835	71
Stainless Steel Top	
511631	57, 59
Strain Relief	
38384	103
52113	103
Strain Relief Adapter	
502496	103
Switch	
504570	33, 43, 51, 71
Switch Assembly	
55882	7, 13, 41
Switch Knob	
39897	7, 11, 13, 41
Switch Mount Assembly	
201917P	27

## T

Temperature Selector Switch	
511711	13
Terminal	
00252	107
00347	107
Terminal Block Assembly	
505876	83
510190P	85
Terminal Block Shield	
505768	83, 85
510237	85
Terminal Block Support Bracket	
505875	83
Terminal Extractor Tool	
283P4	109
Thermal Fuse Assembly	
511412	87, 89
Thermistor Assembly	
502366	77
510523	77
Thermostat	
504515	77
504517	77
510703	91
511887	77
512005	77
Timer	
501627P	63
501757P	63
510524P	11, 21
510525P	11, 21
510526P	21
Timer Assembly	
501754P	63
Timer Bracket	
503017	41
503315	23
Timer Case Assembly	
37733W	21, 35

N/A items do not appear in index.

Timer Knob	
54678 .....	11, 21
Timer Motor	
512017P .....	63
Timer Plate	
39481W .....	35
Timer Plate Assembly	
500921W .....	21
502797W .....	21
Timing Cam	
53240 .....	63
53241 .....	63
53242 .....	63
53243 .....	63
Top and Gusset Assembly	
802247LP .....	57, 59, 61
802247QP .....	57, 59, 61
802247WP .....	57, 59, 61
Top Hinge	
510136 .....	97
Top Kit	
511527LP .....	39
511527QP .....	39
511527WP .....	39
511528LP .....	39
511528QP .....	39
511528WP .....	39
Top Mounting Bracket	
504228 .....	57, 59
Top Panel	
502570W .....	39
502670Q .....	39
Top Panel Kit	
511530LP .....	39
511530WP .....	39
Torx Bit	
281P4 .....	109
282P4 .....	109
292P4 .....	109
Torx Drive Tool	
93501 .....	109
Transformer	
M412477P .....	37
M413100P .....	37
201375P .....	17, 19, 43
201587P .....	13
201616 .....	13
210018P .....	17, 19, 43
210019P .....	17, 19, 43, 59
Transformer Kit	
511658P .....	37, 99

## U

Ultra Pod Terminal	
00359 .....	107
00360 .....	105

## V

Valve Assembly	
60443P .....	95

## W

Warning Label	
500314 .....	79, 81
500316 .....	37
512263 .....	71
Warning/Caution Label	
500281 .....	69
Washer	
M400017 .....	9, 13, 15, 17, 21, 35
02431 .....	35
03815 .....	27
200608 .....	17, 19
21734 .....	21, 35
23225 .....	35
25820 .....	41
28449 .....	85
29260 .....	65
30627 .....	35
504082 .....	83, 85
52549 .....	75, 83, 85
91176 .....	7, 11, 13, 41
Window Trim	
512632 .....	65
Wire Accumulator Assembly	
511589 .....	25
Wire Assembly	
510527 .....	89
510528 .....	89
Wire Clip	
504034 .....	105
Wire Guard	
201595P .....	29, 47
Wire Harness Assembly	
510400P .....	113
510401P .....	113
510404P .....	113
510405P .....	113
510407P .....	113
510430P .....	113
510431P .....	113
510432P .....	113
510453P .....	113
510458 .....	113
510462 .....	113
510467 .....	113
510480 .....	113
510485P .....	113
510486 .....	113
510487P .....	111
510488P .....	111
511303 .....	99
511315 .....	113
511316 .....	111
511326 .....	113
511328 .....	113
511334 .....	113
511337 .....	113
511339P .....	113
511755 .....	111
511825 .....	111
512140 .....	115
512281 .....	115
512283 .....	115
512511P .....	115
512512 .....	115

N/A items do not appear in index.

512513P.....	115
512515P.....	115
512518P.....	115
512646P.....	115
512728.....	111
512729.....	111
512731.....	111
Wire, 12 Gauge	
45380.....	111, 113
Wire, 18 Gauge	
45001.....	111, 113
Wrapper and Channel Assembly	
505753LP.....	41, 51, 53, 55
505753QP.....	41, 51, 53, 55
505753WP.....	41, 51, 53, 55

---

